



# everything cart

18" x 36"

MODEL #: 21088

EVERYTHING CART, 2 SHELVES W/ 6 BINS

## DIMENSIONS & FREIGHT

MODEL #	D"	W"	H"	F.C.	WEIGHT
21088	18"	36"	36"	150	70 lbs.
carton	19"	37.5"	33.5"		

## OVERVIEW

The Everything™ Cart has two levels of double-face bins that can hold almost anything from books to art supplies, gym equipment and student works. They move easily through aisles on soft-tread dual wheel casters that won't shimmy like single wheels.

## MATERIALS

Units come fully welded and assembled, just pop in the casters and they are ready to go. Everything Cart consists of (2) Frames, (2) End Panels and (2) shelves with 6 bins. The End Panels consist of 20-gauge steel full height panels welded to 1" square 18-gauge steel tubing Frame with formed in handles that radius for added comfort and ease of movement. The Shelves are constructed of 20-gauge steel shelves that are 34" long x 17 3/16" deep on each side and a 6" high back. The shelves have 20" clearance inbetween and are welded to the frames and end panels of the Book Truck. All Book Trucks feature 4" diameter dual wheel casters with soft tread for quiet operation. Dual wheels have no saddle that may damage surrounding furniture.

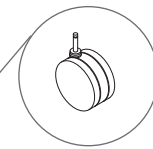
\*not included - optional add-on



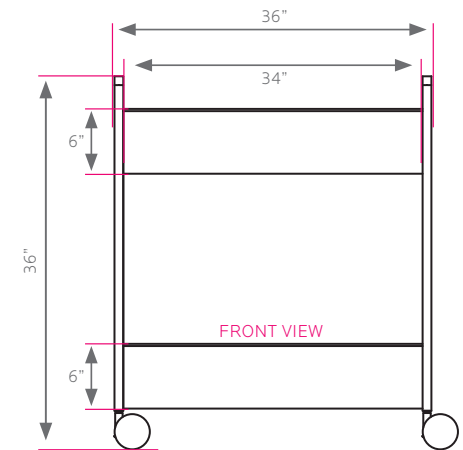
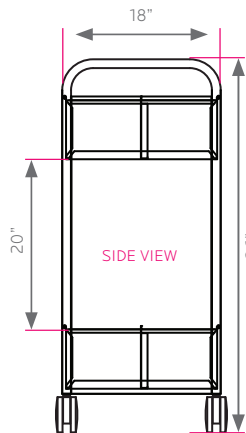
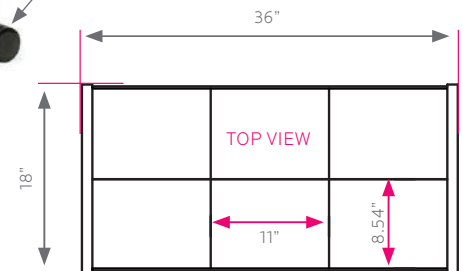
MODEL #	D"	W"	H"	F.C.	WEIGHT
21109	18"	38"	1.25"	70	19 lbs.

## OPTIONAL BOOKTRUCK TOP #21109

Add this optional Booktruck Riser Shelf with 1 1/4" thick laminated top with either our 3/8" bumper or 4mm edge banding. The Riser-Poles clamp onto the booktruck handles and come in a Platinum finish. The shelf stands 6" above the booktruck handles.



4" DIA. CASTERS



## QS (QUICK-SHIP) BOOKTRUCK COLORS

Quickship colors up to 5. If more than 5, 8 week lead



BLACK



PERSIAN BLUE



PLATINUM



RED



SAND

## EXTENDED LEADTIME BOOKTRUCK COLORS

8-Week lead-time colors.



APPLE



CERULEAN



CLEMENTINE



FOREST GREEN



NAVY



PURPLE