



# elemental moon table

MODEL #: ELMOON\_ \_ \_ \_ \_ EG

## DIMENSIONS + FREIGHT

MODEL	DESCRIPTION	LEG TYPE	LEG #	D"	W"	H"	F.C.	CUBE	WT.
Moon Table models									
ELMOON_ _ _ _ _ EG	Moon Table	Fixed Height	4 Legs	60	41	30	70	2.7	80
ELMOON_ _ _ _ _ EC*	Moon Table	Fixed Height for Caster	4 Legs	60	41	27**	70	2.7	84
ELMOON_ _ _ _ _ EA	Moon Table	Adjustable Height	4 Legs	60	41	19-33	70	2.7	83

\* REMINDER: Casters sold separately.

\*\*3" Casters make table height 30."

## BUILD PART NUMBER

EL M O O N 7 8 9 10 11 12 13 14 15

or E8 Choose MODEL

Pick Laminate Color

Pick Edge Color

Pick Leg Color

Pick Leg Style  
Fixed-height with Glide (EG) leg set is standard.

## OVERVIEW

Elemental tables have optional colored casters and matching colored leg sets. The unique colored legs comes in four configurations; fixed height (EG), adjustable height (EA), fixed height for use with casters (EC), or low range adjustable (EL).

## MATERIALS

The 1 1/4" thick WORK SURFACE consists of a 45 lb density particle board core with a 0.030" high pressure laminated surface and a 0.020" melamine backer sheet. The edge of the tabletop features your choice of a 3/8" bumper t-mold or 4mm t-mold, which is then fastened to the underside of the work surface every 6 to 8 inches to assure a long lasting fit. Mounted under the work surface is a 14 gauge steel STIFFENER for reinforcement.

## LEG STYLE 14 15

- "EG" - Fixed-Height 30"
- "EC" - Fixed-Height 27" \*\* (use w/ 3" casters = 30"H).
- "EA" - Adjustable Height 19" - 33" (with glides)
- "EL" - Low Range Adjustable 11"-17" (with glides)

The Elemental LEG SETS are constructed of 14-gauge steel with a durable powdercoat paint finish in one of five colors. The legs are reinforced by a gusseted, 'spade' shaped, mounting plate. Each one of the 4 legs attach to the pre-drilled holes in the top with 10 #10 x 5/8" screws per leg. Legs come standard with a nylon base glide.

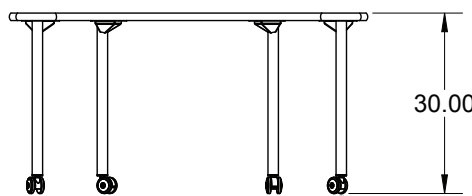
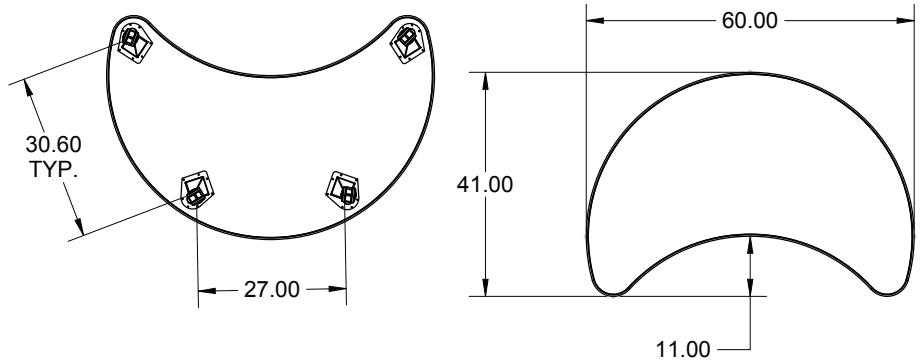
OPTIONAL dual-wheel 3" casters available as a separate line item, Moon Table uses 4-pack, Model 17576 for black, 17577 \_\_\_ for colors: platinum, orange, cerulean, charcoal or apple.

## ADD COLORED CASTERS

Model 17577 \_\_\_ (4-pack)



\* REMINDER: Casters sold separately! (17577 \_\_\_ [4-pack])



\*\*drawings shown with 'EC' style legs, with optional 3" casters added.

\*\*3" Casters make table height 30."

\* REMINDER: Casters sold separately! (17577 \_\_\_)

## LEG STYLE: 14 15



# Standard Laminate Options



EL or E8 **M O O N** **7 8 9 10 11 12 13 14 15**

Choose **MODEL**

Pick Laminate Color

Pick Edge Color

Pick Leg Color

Pick Leg Style

Fixed-height with Glide (EG) leg set is standard.

Want to specify a different laminate?

No problem. If you have 20 or more tops of the same color -60 or -38 there is no upcharge. Have 20 or less? We can quote for you with the Wilsonart code and - finish style. We can specify other laminates - call to inquire and get a quote.



## Suggested Standard Laminates: **7 8 9**

 ASIAN NIGHT 7949-60 <b>ANG</b>	 BOARDWALK OAK 7983-60 <b>BWK</b>	 PEWTER MESH 4878-60 <b>PEW</b>	 CLASSIC LINEN 4943-60 <b>CLN</b>	 HIGH RISE 4996-60 <b>HRE</b>
 BUKA BARK 7982-60 <b>BBK</b>	 PALISADES OAK 7987-60 <b>PSO</b>	 FLAX LINEN 4990-60 <b>FLL</b>	 MISSION MAPLE 7990-60 <b>MIM</b>	 NEW AGE OAK 7938-60 <b>NEW</b>

## Classic Standard Laminates:

 FRENCH PEAR 8220-60 <b>FRP</b>	 WILD CHERRY 7054-60 <b>CHE</b>	 GREY NEBULA 4622-60 <b>GNB</b>	 FUSION MAPLE 7909-60 <b>MAP</b>
--	--	--	--

All 14 of the standard laminates are -60 finish, if you need to match a laminate from a previous year, please let us know on your order (example Pewter Mesh 4878-38, our standard is -60).

When the WilsonArt Laminate code includes a "Y", "K", "-J2" "-78", "Aeon" etc, these are special laminates with an upcharge, even when it contains -38 or -60.

## Standard Edge Color Options **10**

 APPLE <b>A</b>	 BLACK <b>B</b>	 BLUEBERRY <b>C</b>	 BURGUNDY <b>D</b>	 CERULEAN <b>S</b>	 CHAMPAGNE <b>O</b>
 CHARCOAL <b>R</b>	 CHOCOLATE <b>Q</b>	 CLEMENTINE <b>E</b>	 FOREST GREEN <b>F</b>	 FUCHSIA <b>G</b>	 MINT <b>H</b>
 MOCHA <b>T</b>	 NAVY <b>I</b>	 ORANGE <b>U</b>	 PERSIAN BLUE <b>J</b>	 PLATINUM <b>P</b>	 PURPLE <b>K</b>
 RED <b>L</b>	 YELLOW <b>N</b>				

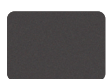
## Elemental Leg Style **14 15**



\*\*3" Casters make table height 30."  
\*REMINDER: Casters sold separately!  
(17577 \_ \_ \_)

- LEG STYLE:**
- "EG" - Fixed-Height 30"
  - "EC" - Fixed-Height 27"  
(use w/ 3" casters = 30"H).
  - "EA" - Adjustable Height  
(19" - 33" w/ glides)  
(21.5" - 35.5" w/ 3" casters)
  - "EL" - Low Range Adjustable  
(11" - 17" w/ glides)  
(13.5" - 19.5" w/ 3" casters)

## Elemental Leg Colors **11 12 13**

 PLATINUM <b>PLT</b>	 CHARCOAL <b>CGR</b>	 ORANGE <b>ORG</b>	 APPLE <b>APL</b>	 CERULEAN <b>CER</b>
---	---	---	--	---