



# cascade mid-case

## with shelves

MODEL #: 21100000P\_

### MID-CASE W/ SHELVES

#### OVERVIEW

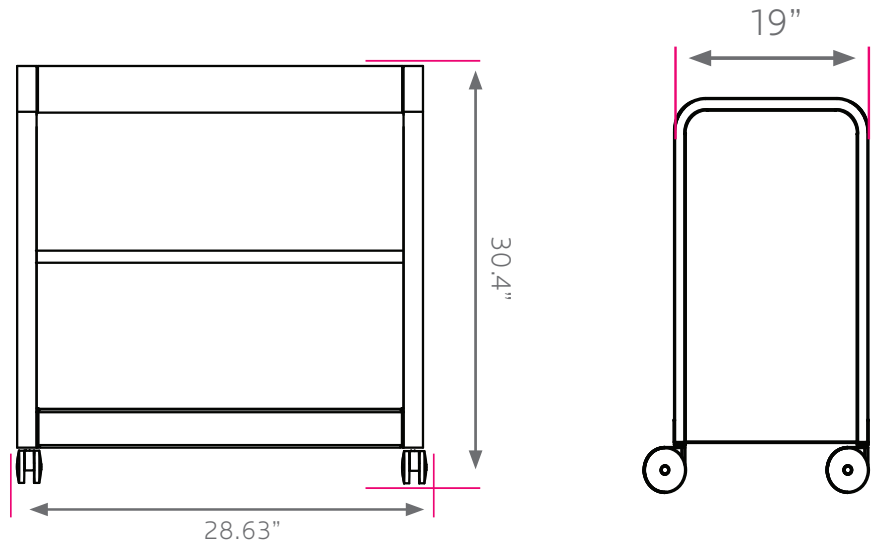
The Cascade series provides storage for a wide variety of items. The Mid-Case is a medium width cabinet in the Cascade grouping, measuring in at 30 7/16" tall, 28 5/8" wide and 19" deep.

#### MATERIALS

The END PANELS are made of 18-gauge 1" square tubing, welded flush to an 18-gauge end panel. The inside of each end panel is reinforced by 22-gauge hat channels. These hat channels are dual purpose: added strength and for tote rail shelf mounting. The dome top is 18-gauge formed and welded construction, bolted to each end panel and rear panel with a total of 10 machine screw fasteners. The base is a durable 18-gauge steel construction formed and welded to support the entire weight of the unit squarely. Underneath is a heavy welded hat channel reinforcement. The base shelf is attached to both end panels using 4 machine screw fasteners. The Rear Panel is 18-gauge steel reinforced with up to three vertical hat channels. Two grommet holes (a lower and upper) are punched for convenient wire management and electronic storage. Casters are 4" in diameter, with 2 locking. Optional glides are 3/8" threaded stem.

RISER SHELVES are sized perfectly for each cabinet size. These riser shelves are made of 3/4" high density particle board with your choice of laminate and bullet T-Mold color. Shelf is suspended 6 inches above the dome top with 4 riser shelf handles, which measure 1 1/2" diameter and come in Platinum powder coat paint finish (0.03" Thickness). These riser shelf handles bolt on from underneath the dome top with a hefty 3" washer.

The optional DOORS include a secure and reliable locking mechanism, which engages lock rods into the dome top and the base shelf. Doors also come with urethane ergonomic and modern door handles of your color choice. The fully hinged doors articulate 270 degrees, free of obstruction.



#### MID-CASE W/ SHELVES

MODEL	DESCRIPTION	D"	W"	H"	F.C.	WT.
<i>Shelves</i>						
21100000P_	Open w/shelves	19	29	30.4	100	63
22100000P_	Doors w/shelves	19	29	30.4	100	74
211V00000P_---	Open w/shelves & riser	19	29	37	100	87
221V00000P_---	Doors w/shelves & riser	19	29	37	100	98
211L00000P_---	Open w/shelves & lectern	19	29	41.5	100	89
221L00000P_---	Doors w/shelves & lectern	19	29	41.5	100	100
	pallet dimensions	26	34	32		



# cascade mid-case

## with totes

MODEL #: 210010000P\_

### MID-CASE W/ TOTES

#### OVERVIEW

The Cascade series provides storage for a wide variety of items. The Mid-Case is a medium width cabinet in the Cascade grouping, measuring in at 30 7/16" tall, 28 5/8" wide and 19" deep.

#### MATERIALS

The END PANELS are made of 18-gauge 1" square tubing, welded flush to an 18-gauge end panel. The inside of each end panel is reinforced by 22-gauge hat channels. These hat channels are dual purpose: added strength and for tote rail shelf mounting. The dome top is 18-gauge formed and welded construction, bolted to each end panel and rear panel with a total of 10 machine screw fasteners. The base is a durable 18-gauge steel construction formed and welded to support the entire weight of the unit squarely. Underneath is a heavy welded hat channel reinforcement. The base shelf is attached to both end panels using 4 machine screw fasteners. The Rear Panel is 18-gauge steel reinforced with up to three vertical hat channels. Two grommet holes (a lower and upper) are punched for convenient wire management and electronic storage. Casters are 4" in diameter, with 2 locking. Optional glides are 3/8" threaded stem.

RISER SHELVES are sized perfectly for each cabinet size. These riser shelves are made of 3/4" high density particle board with your choice of laminate and bullet T-Mold color. Shelf is suspended 6 inches above the dome top with 4 riser shelf handles, which measure 1 1/2" diameter and come in Platinum powder coat paint finish (0.03" Thickness). These riser shelf handles bolt on from underneath the dome top with a hefty 3" washer.

The optional DOORS include a secure and reliable locking mechanism, which engages lock rods into the dome top and the base shelf. Doors also come with urethane ergonomic and modern door handles of your color choice. The fully hinged doors articulate 270 degrees, free of obstruction.



### MID-CASE W/ TOTES

MODEL	DESCRIPTION	D"	W"	H"	F.C.	WT.
<i>Standard Width (SW) Totes</i>						
210010000P_	Open w/ten 3" SW totes	19	29	30.4	100	69
220010000P_	Doors w/ten 3" SW totes	19	29	30.4	100	80
210V10000P_	Open w/ten 3" SW totes & riser	19	29	37	100	93
220V10000P_	Doors w/ten 3" SW totes & riser	19	29	37	100	104
210L10000P_	Open w/ten 3" SW totes & lectern	19	29	41.5	100	95
220L10000P_	Doors w/ten 3" SW totes & lectern	19	29	41.5	100	106
210006020P_	Open w/six 3" & two 6" SW totes	19	29	30.4	100	70
220006020P_	Doors w/six 3" & two 6" SW totes	19	29	30.4	100	81
210V06020P_	Open w/six 3" & two 6" SW totes & riser	19	29	37	100	95
220V06020P_	Doors w/six 3" & two 6" SW totes & riser	19	29	37	100	106
210L06020P_	Open w/six 3" & two 6" SW totes & lectern	19	29	41.5	100	97
220L06020P_	Doors w/six 3" & two 6" SW totes & lectern	19	29	41.5	100	108
	pallet dimensions	26	34	32		

## Cascade Frame



PLATINUM



## Standard Laminate Options \*(Casade Riser Shelves)

Want to specify a different laminate?

No problem. If you have 20 or more tops of the same color -60 or -38 there is no upcharge. Have 20 or less? We can quote for you with the Wilsonart code and – finish style. We can specify other laminates – call to inquire and get a quote.



### Suggested Standard Laminates:



ASIAN NIGHT  
7949-60  
**ANG**



BOARDWALK OAK  
7983-60  
**BWK**



PEWTER MESH  
4878-60  
**PEW**



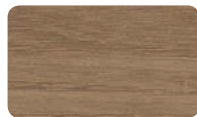
CLASSIC LINEN  
4943-60  
**CLN**



HIGH RISE  
4996-60  
**HRE**



BUKA BARK  
7982-60  
**BBK**



PALISADES OAK  
7987-60  
**PSO**



FLAX LINEN  
4990-60  
**FLL**



MISSION MAPLE  
7990-60  
**MIM**

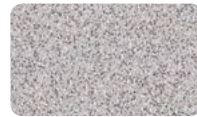


NEW AGE OAK  
7938-60  
**NEW**

### Classic Standard Laminates:



WILD CHERRY  
7054-60  
**CHE**



GREY NEBULA  
4622-60  
**GNB**



FUSION MAPLE  
7909-60  
**MAP**

All 13 of the standard laminates are -60 finish, if you need to match a laminate from a previous year, please let us know on your order (example Pewter Mesh 4878-38, our standard is -60).

When the WilsonArt Laminate code includes a "Y", "K", "-12" "-78", "Aeon" etc, these are special laminates with an upcharge, even when it contains -38 or -60.

## Cascade End Panel and Edge Color Options



APPLE **A**



BLACK **B**



BLUEBERRY **C**



BURGUNDY **D**



CERULEAN **S**



CHARCOAL **R**



CHOCOLATE **Q**



CLEMENTINE **E**



FOREST GREEN **F**



FUCHSIA **G**



MINT **H**



MOCHA **T**



NAVY **I**



ORANGE **U**



PERSIAN BLUE **J**



PLATINUM **P**



PURPLE **K**



RED **L**



YELLOW **N**