



cascade mid-tower

with shelves

MODEL #: 81100000P_

MID-TOWER W/ SHELVES

OVERVIEW

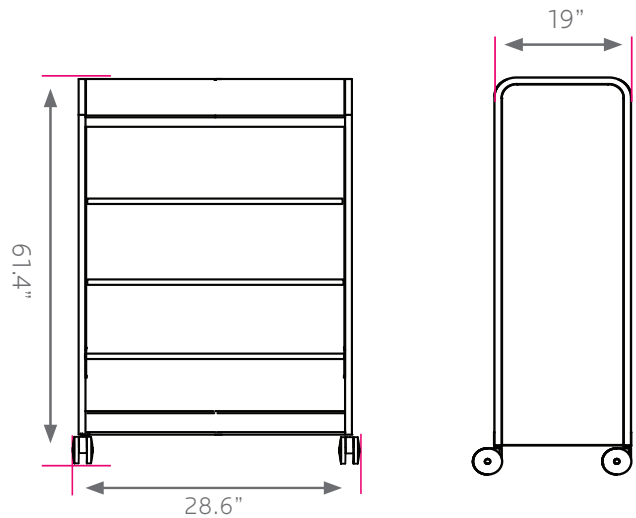
The Cascade series provides storage for a wide variety of items. The Mid-Tower is a medium width, high height cabinet in the Cascade grouping, measuring in at 61 3/8" tall, 28 5/8" wide and 19" deep.

MATERIALS

The END PANELS are made of 18-gauge 1" square tubing, welded flush to an 18-gauge end panel. The inside of each end panel is reinforced by 22-gauge hat channels. These hat channels are dual purpose: added strength and for tote rail shelf mounting. The dome top is 18-gauge formed and welded construction, bolted to each end panel and rear panel with a total of 10 machine screw fasteners. The base is a durable 18-gauge steel construction formed and welded to support the entire weight of the unit squarely. Underneath is a heavy welded hat channel reinforcement. The base shelf is attached to both end panels using 4 machine screw fasteners. The Rear Panel is 18-gauge steel reinforced with up to three vertical hat channels. Two grommet holes (a lower and upper) are punched for convenient wire management and electronic storage. Casters are 4" in diameter, with 2 locking. Optional glides are 3/8" threaded stem.

The optional DOORS include a secure and reliable locking mechanism, which engages lock rods into the dome top and the base shelf. Doors also come with urethane ergonomic and modern door handles of your color choice. The fully hinged doors articulate 270 degrees, free of obstruction.

Due to the Cascade Tower's height, riser shelves are not available on Cascade Mini Tower, Mid Tower or Mega Tower.



MID-TOWER W/ SHELVES

MODEL	DESCRIPTION	D"	W"	H"	F.C.	WT.
Shelves						
81100000P_	Open w/shelves	19	29	61.4	100	102
82100000P_	Doors w/shelves	19	29	61.4	100	128



cascade mid-tower

with totes

MODEL #: 810024000P_

MID-TOWER W/ TOTES

OVERVIEW

The Cascade series provides storage for a wide variety of items. The Mid-Tower is a medium width, high height cabinet in the Cascade grouping, measuring in at 61 3/8" tall, 28 5/8" wide and 19" deep.

MATERIALS

The END PANELS are made of 18-gauge 1" square tubing, welded flush to an 18-gauge end panel. The inside of each end panel is reinforced by 22-gauge hat channels. These hat channels are dual purpose: added strength and for tote rail shelf mounting. The dome top is 18-gauge formed and welded construction, bolted to each end panel and rear panel with a total of 10 machine screw fasteners. The base is a durable 18-gauge steel construction formed and welded to support the entire weight of the unit squarely. Underneath is a heavy welded hat channel reinforcement. The base shelf is attached to both end panels using 4 machine screw fasteners. The Rear Panel is 18-gauge steel reinforced with up to three vertical hat channels. Two grommet holes (a lower and upper) are punched for convenient wire management and electronic storage. Casters are 4" in diameter, with 2 locking. Optional glides are 3/8" threaded stem.

The optional DOORS include a secure and reliable locking mechanism, which engages lock rods into the dome top and the base shelf. Doors also come with urethane ergonomic and modern door handles of your color choice. The fully hinged doors articulate 270 degrees, free of obstruction.

Due to the Cascade Tower's height, riser shelves are not available on Cascade Mini Tower, Mid Tower or Mega Tower.



MID-TOWER W/ TOTES

MODEL	DESCRIPTION	D"	W"	H"	F.C.	WT.
<i>Standard Width (SW) Totes</i>						
810024000P_	Open w/twenty-four 3" SW totes	19	29	61.4	100	125
820024000P_	Doors w/twenty-four 3" SW totes	19	29	61.4	100	151
810006062P_	Open w/six 3" and six 6" and two 12" SW totes	19	29	61.4	100	121
820006062P_	Doors w/six 3" and six 6" and two 12" SW totes	19	29	61.4	100	147
810000120P_	Open w/twelve 6" SW totes	19	29	61.4	100	125
820000120P_	Doors w/twelve 6" SW totes	19	29	61.4	100	151

Cascade Frame



PLATINUM

***(Cascade Riser Shelves not available on Cascade 'Towers' due to height).**

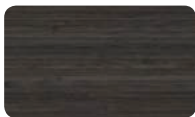
Standard Laminate Options *(Cascade Riser Shelves)

Want to specify a different laminate?

No problem. If you have 20 or more tops of the same color -60 or -38 there is no upcharge. Have 20 or less? We can quote for you with the Wilsonart code and – finish style. We can specify other laminates – call to inquire and get a quote.



Suggested Standard Laminates:



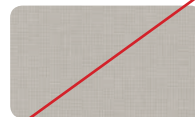
ASIAN NIGHT
7949-60
ANG



BOARDWALK OAK
7983-60
BWK



PEWTER MESH
4878-60
PEW



CLASSIC LINEN
4943-60
CLN



HIGH RISE
4996-60
HRE



BUKA BARK
7982-60
BBK



PALISADES OAK
7987-60
PSO



FLAX LINEN
4990-60
FLL



MISSION MAPLE
7990-60
MIM

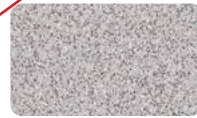


NEW AGE OAK
7938-60
NEW

Classic Standard Laminates:



WILD CHERRY
7054-60
CHE



GREY NEBULA
4622-60
GNB



FUSION MAPLE
7909-60
MAP

All 13 of the standard laminates are -60 finish, if you need to match a laminate from a previous year, please let us know on your order (example Pewter Mesh 4878-38, our standard is -60).

When the WilsonArt Laminate code includes a "Y", "K", "-12", "-78", "Aeon" etc, these are special laminates with an upcharge, even when it contains -38 or -60.

Cascade End Panel Color Options



APPLE **A**



BLACK **B**



BLUEBERRY **C**



BURGUNDY **D**



CERULEAN **S**



CHARCOAL **R**



CHOCOLATE **Q**



CLEMENTINE **E**



FOREST GREEN **F**



FUCHSIA **G**



MINT **H**



MOCHA **T**



NAVY **I**



ORANGE **U**



PERSIAN BLUE **J**



PLATINUM **P**



PURPLE **K**



RED **L**



YELLOW **N**