



# cascade mini-cabinet

## with shelves

MODEL #: 41100000P\_

### MINI-CABINET W/ SHELVES

#### OVERVIEW

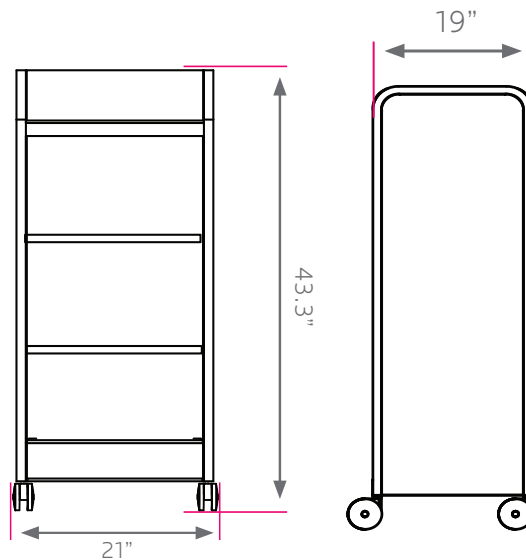
The Cascade series provides storage for a wide variety of items. The Mini-Cabinet is one of the 2nd shortest cabinets in the Cascade grouping, measuring in at 43 5/16" tall, 21" wide and 19" deep.

#### MATERIALS

The END PANELS are made of 18-gauge 1" square tubing, welded flush to an 18-gauge end panel. The inside of each end panel is reinforced by 22-gauge hat channels. These hat channels are dual purpose: added strength and for tote rail shelf mounting. The dome top is 18-gauge formed and welded construction, bolted to each end panel and rear panel with a total of 10 machine screw fasteners. The base is a durable 18-gauge steel construction formed and welded to support the entire weight of the unit squarely. Underneath is a heavy welded hat channel reinforcement. The base shelf is attached to both end panels using 4 machine screw fasteners. The Rear Panel is 18-gauge steel reinforced with up to three vertical hat channels. Two grommet holes (a lower and upper) are punched for convenient wire management and electronic storage. Casters are 4" in diameter, with 2 locking. Optional glides are 3/8" threaded stem.

RISER SHELVES are sized perfectly for each cabinet size. These riser shelves are made of 3/4" high density particle board with your choice of laminate and bullet T-Mold color. Shelf is suspended 6 inches above the dome top with 4 riser shelf handles, which measure 1 1/2" diameter and come in Platinum powder coat paint finish (0.03" Thickness). These riser shelf handles bolt on from underneath the dome top with a hefty 3" washer.

The optional DOORS include a secure and reliable locking mechanism, which engages lock rods into the dome top and the base shelf. Doors also come with urethane ergonomic and modern door handles of your color choice. The fully hinged doors articulate 270 degrees, free of obstruction.



#### MINI-CABINET W/ SHELVES

MODEL	DESCRIPTION	D"	W"	H"	F.C.	WT.
<i>Shelves</i>						
41100000P_	Open w/shelves	19	21	43.3	100	63
42100000P_	Door w/shelves	19	21	43.3	100	73
411V00000P_	Open w/shelves & riser	19	21	50	100	78
421V00000P_	Door w/shelves & riser	19	21	50	100	88
	pallet dimensions	26	26.5	43.9		



# cascade mini-cabinet

## with totes

MODEL #: 410008000P\_

### MINI-CABINET W/ EW TOTES

#### OVERVIEW

The Cascade series provides storage for a wide variety of items. The Mini-Cabinet is one of the 2nd shortest cabinets in the Cascade grouping, measuring in at 43 5/16" tall, 21" wide and 19" deep.

#### MATERIALS

The END PANELS are made of 18-gauge 1" square tubing, welded flush to an 18-gauge end panel. The inside of each end panel is reinforced by 22-gauge hat channels. These hat channels are dual purpose: added strength and for tote rail shelf mounting. The dome top is 18-gauge formed and welded construction, bolted to each end panel and rear panel with a total of 10 machine screw fasteners. The base is a durable 18-gauge steel construction formed and welded to support the entire weight of the unit squarely. Underneath is a heavy welded hat channel reinforcement. The base shelf is attached to both end panels using 4 machine screw fasteners. The Rear Panel is 18-gauge steel reinforced with up to three vertical hat channels. Two grommet holes (a lower and upper) are punched for convenient wire management and electronic storage. Casters are 4" in diameter, with 2 locking. Optional glides are 3/8" threaded stem.

RISER SHELVES are sized perfectly for each cabinet size. These riser shelves are made of 3/4" high density particle board with your choice of laminate and bullet T-Mold color. Shelf is suspended 6 inches above the dome top with 4 riser shelf handles, which measure 1 1/2" diameter and come in Platinum powder coat paint finish (0.03" Thickness). These riser shelf handles bolt on from underneath the dome top with a hefty 3" washer.

The optional DOORS include a secure and reliable locking mechanism, which engages lock rods into the dome top and the base shelf. Doors also come with urethane ergonomic and modern door handles of your color choice. The fully hinged doors articulate 270 degrees, free of obstruction.



#### MINI-CABINET W/ EW TOTES

MODEL	DESCRIPTION	D"	W"	H"	F.C.	WT.
<i>Extra Wide (EW) Totes</i>						
410008000P_	Open w/eight 3" EW totes	19	21	43.3	100	74
420008000P_	Door w/eight 3" EW totes	19	21	43.3	100	84
410V08000P_-----	Open w/eight 3" EW totes & riser	19	21	50	100	89
420V08000P_-----	Door w/eight 3" EW totes & riser	19	21	50	100	99
410004020P_	Open w/four 3" and two 6" EW totes	19	21	43.3	100	72
420004020P_	Door w/four 3" and two 6" EW totes	19	21	43.3	100	82
410V04020P_-----	Open w/four 3" and two 6" EW totes & riser	19	21	50	100	87
420V04020P_-----	Door w/four 3" and two 6" EW totes & riser	19	21	50	100	97
410000040P_	Open w/four 6" EW totes	19	21	43.3	100	72
420000040P_	Door w/four 6" EW totes	19	21	43.3	100	82
410V00040P_-----	Open w/four 6" EW totes & riser	19	21	50	100	87
420V00040P_-----	Door w/four 6" EW totes & riser	19	21	50	100	97
	pallet dimensions	26	26.5	43.9		

## Cascade Frame



PLATINUM



## Standard Laminate Options \*(Casade Riser Shelves)

Want to specify a different laminate?

No problem. If you have 20 or more tops of the same color -60 or -38 there is no upcharge. Have 20 or less? We can quote for you with the Wilsonart code and – finish style. We can specify other laminates – call to inquire and get a quote.



### Suggested Standard Laminates:



ASIAN NIGHT  
7949-60  
**ANG**



BOARDWALK OAK  
7983-60  
**BWK**



PEWTER MESH  
4878-60  
**PEW**



CLASSIC LINEN  
4943-60  
**CLN**



HIGH RISE  
4996-60  
**HRE**



BUKA BARK  
7982-60  
**BBK**



PALISADES OAK  
7987-60  
**PSO**



FLAX LINEN  
4990-60  
**FLL**



MISSION MAPLE  
7990-60  
**MIM**

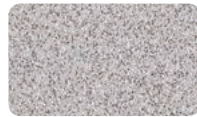


NEW AGE OAK  
7938-60  
**NEW**

### Classic Standard Laminates:



WILD CHERRY  
7054-60  
**CHE**



GREY NEBULA  
4622-60  
**GNB**



FUSION MAPLE  
7909-60  
**MAP**

All 13 of the standard laminates are -60 finish, if you need to match a laminate from a previous year, please let us know on your order (example Pewter Mesh 4878-38, our standard is -60).

When the WilsonArt Laminate code includes a "Y", "K", "-12" "-78", "Aeon" etc, these are special laminates with an upcharge, even when it contains -38 or -60.

## Cascade End Panel and Edge Color Options



APPLE **A**



BLACK **B**



BLUEBERRY **C**



BURGUNDY **D**



CERULEAN **S**



CHARCOAL **R**



CHOCOLATE **Q**



CLEMENTINE **E**



FOREST GREEN **F**



FUCHSIA **G**



MINT **H**



MOCHA **T**



NAVY **I**



ORANGE **U**



PERSIAN BLUE **J**



PLATINUM **P**



PURPLE **K**



RED **L**



YELLOW **N**