



plato stack chairs

14", 16" and 18" seat heights

MODEL #: 00952, 00951, 00950



DIMENSIONS + FREIGHT

* product is UPSable.

MODEL #	SHELL (H")	A	B	C	D	E	F	F.C.	CUBE	WEIGHT
00950	A(18")	30"	15.5"	21"	16"	19"	18"	125	4.0	11 lbs.
00951	B+(16")	28"	14.5"	18.25"	14.5"	17"	16"	125	4.0	9 lbs.
00952	B(14")	24.6"	12.5"	16"	13"	15"	14"	125	4.0	8 lbs.

* Platinum frame available on Model #00950

OVERVIEW

The Plato Chair is a posture demanding chair based on the Euro Spec. The Plato offers a wide seat pan and lumbar support designed to comply with current anthropometric data for improved ergonomics.

MATERIALS

The SHELL is 100% virgin polypropylene material with a shallow seat pan allowing side-to-side movement. The back has integrated lumbar support for optimum comfort and minimal back pressure.

The FRAME is constructed of strong 1" x 18-gauge tubing that is chrome plated for a long lasting, durable finish and is capped at the ends with our durable outside hold nylon base glides (with steel and felt as options). The shell is attached to 14-gauge brackets via metal to metal riveted steel connection.

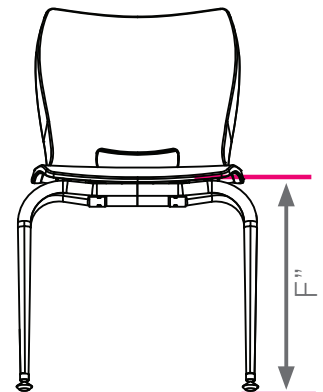
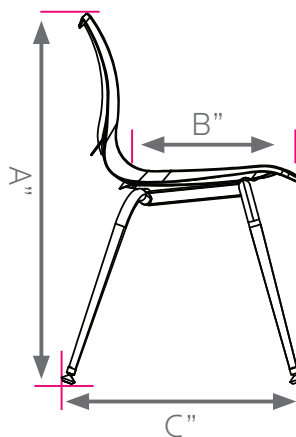
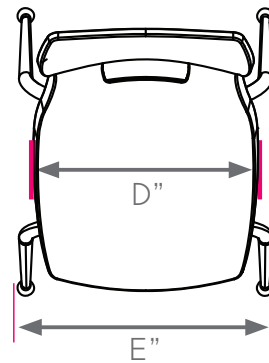
OPTIONS

Nylon glide is standard.

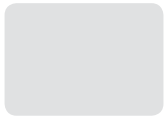
Felt glide option : Add 'F' to follow Model No.

Steel glide option : Add 'S' to follow Model No.

(set of 4 installed - upcharge for felt or steel glide).



PLATO™ FRAME COLOR OPTIONS



CHROME
CHR



PLATINUM
PLT *Platinum frame available on Model #00950 - 18" Chair only.

PLATO™ SHELL COLOR OPTIONS



APPLE **A**



BLACK **B**



BLUEBERRY **C**



BURGUNDY **D**



CERULEAN **S**



CHARCOAL **R**



CHOCOLATE **Q**



CLEMENTINE **E**



FOREST GREEN **F**



FUCHSIA **G**



MINT **H**



MOCHA **T**



NAVY **I**



ORANGE **U**



PERSIAN BLUE **J**



PURPLE **K**



RED **L**



YELLOW **N**



MODEL 00950
18" PLATO STACK



MODEL 00951
16" PLATO STACK



MODEL 00952
14" PLATO STACK