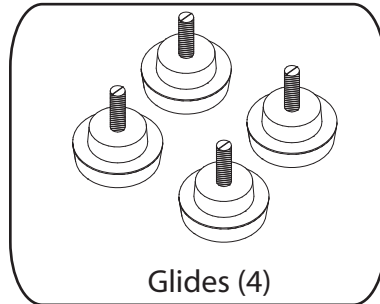
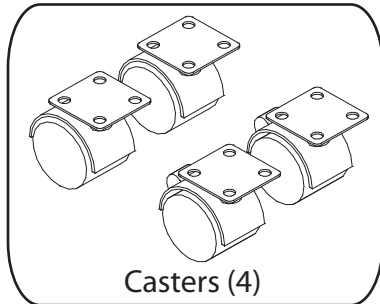
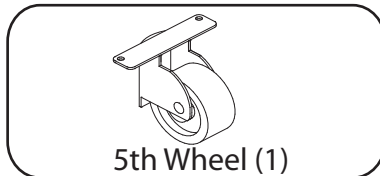
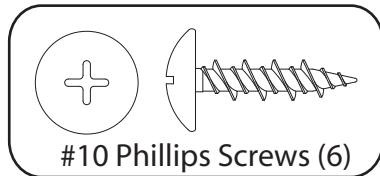




Casters and Glides Quick Installation Guide For 19172 & 19173 Drawer Pedestals

Required for Installation



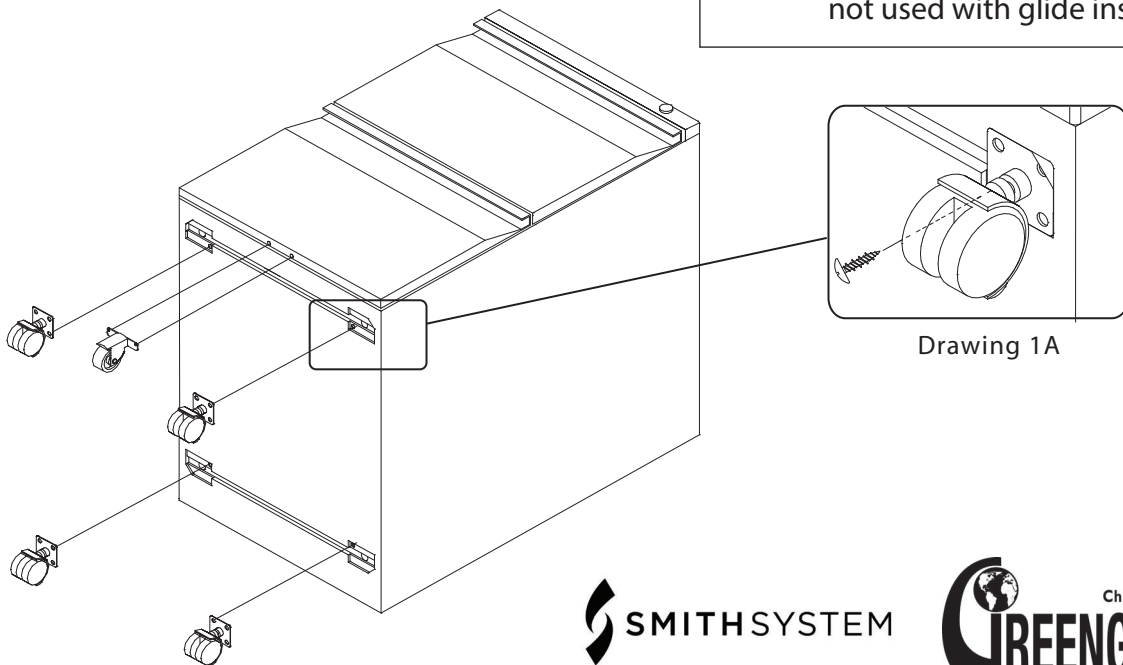
Instructions

STEP 1 Place drawer ped on a smooth, clean surface with the front facing up.

STEP 2 Slip caster plate edge under metal hinge at corner of cabinet bottom. Then using the supplied screws, attach caster plate to cabinet. (See Drawing 1A)

STEP 3 Attach 5th wheel caster with supplied screws using 2 pre-drilled holes as guides at the bottom drawer face.

*When using glide option glides screw in clockwise. (5th wheel is not used with glide installation)



If you have damaged or missing components please contact customer service.

800-328-1061

www.smithsystem.com