



library booktruck

riser top shelf

MODEL #: 21109

BOOKTRUCK RISER SHELF WITH POLE RISER

DIMENSIONS & FREIGHT

MODEL #	D"	W"	H"	F.C.	WEIGHT
21109	18"	38"	1.25"	70	19 lbs.

COMPATIBLE BOOKTRUCK MODELS

MODEL #	DESCRIPTION
21001	Six Sloping Shelf Truck
21004	Six Sloping Shelf Truck (w/ supports)
21051	Three Flat Shelf Cart
21088	Everything Cart
21101	Gorilla Truck (6 sloping shelf)

OVERVIEW

The Booktruck riser top is compatible with any one of the 18" depth - 36" wide Smith System™ Booktrucks offered. Attachment is achieved with a set of four (4) riser posts finished in platinum.

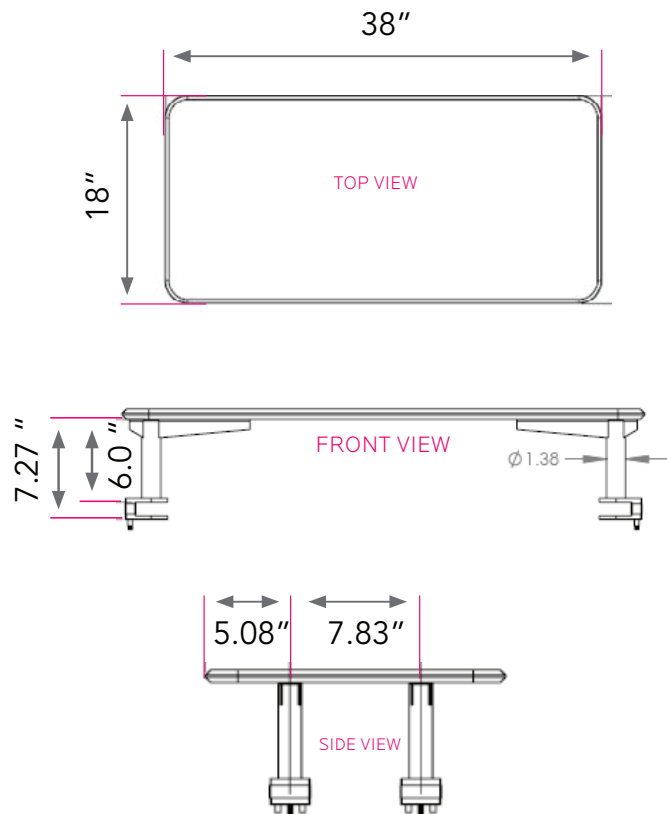
MATERIALS

The top shelf consists of a 1 ¼" thick, 45 lb. density particle board core with a .030 high-pressure laminated surface and a .020" melamine backer sheet. The edge of the work surface features 3/8" bumper or 4mm edge molding that is mechanically fastened every 6 to 8 inches to assure a long lasting fit. The top is pre-drilled for ease of installation.

The shelf is securely attached to the riser poles with eight (8) wood screws - two (2) for each post. The riser poles are constructed of 16-gauge steel and powder coated for a long lasting, durable finish. Poles clamp to booktruck frame using included Allen wrench tool.



*shown with booktruck #21088 Everything Cart.



21109 Riser Pole Color Options



PLATINUM
PLT

Standard Laminate Options

Want to specify a different laminate?

No problem. If you have 20 or more tops of the same color -60 or -38 there is no upcharge. Have 20 or less? We can quote for you with the Wilsonart code and – finish style. We can specify other laminates – call to inquire and get a quote.



Suggested Standard Laminates:



ASIAN NIGHT
7949-60
ANG



BOARDWALK OAK
7983-60
BWK



PEWTER MESH
4878-60
PEW



CLASSIC LINEN
4943-60
CLN



HIGH RISE
4996-60
HRE



BUKA BARK
7982-60
BBK



PALISADES OAK
7987-60
PSO



FLAX LINEN
4990-60
FLL



MISSION MAPLE
7990-60
MIM

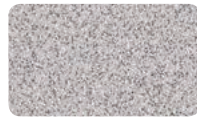


NEW AGE OAK
7938-60
NEW

Classic Standard Laminates:



WILD CHERRY
7054-60
CHE



GREY NEBULA
4622-60
GNB



FUSION MAPLE
7909-60
MAP

All 13 of the standard laminates are -60 finish, if you need to match a laminate from a previous year, please let us know on your order (example Pewter Mesh 4878-38, our standard is -60).

When the WilsonArt Laminate code includes a "Y", "K", "-12" "-78", "Aeon" etc, these are special laminates with an upcharge, even when it contains -38 or -60.

Standard Edge Color Options

See product page for application and availability.



APPLE A



BLACK B



BLUEBERRY C



BURGUNDY D



CERULEAN S



CHAMPAGNE O



CHARCOAL R



CHOCOLATE Q



CLEMENTINE E



FOREST GREEN F



FUCHSIA G



MINT H



MOCHA T



NAVY I



ORANGE U



PERSIAN BLUE J



PLATINUM P



PURPLE K



RED L



YELLOW N