



cascade mega-case

makercart

MODEL #: V21U00000P_

MEGA-CASE MAKERCART W/ RISER SHELF & FILAMENT SPOOL HOLDER

DIMENSIONS + FREIGHT

MODEL #	D"	W"	H"	F.C.	CUBE	WEIGHT
V21U00000P	19"	43"	37"	100	22.7	136 lbs.
pallet dims	26"	45"	32"			

OVERVIEW

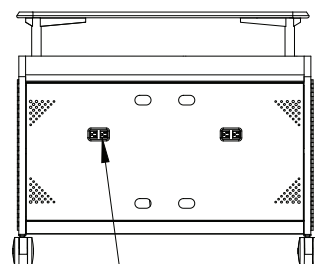
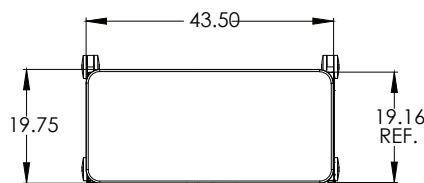
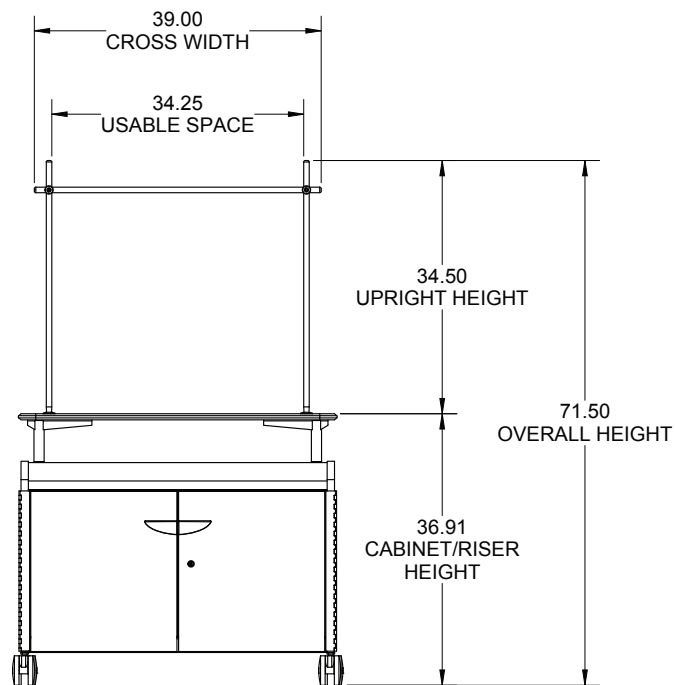
The Cascade Makercart provides movable, lockable storage for 3d printers, laptops as well as a useful apparatus rod or 'filament spool holder.' Includes 4 Power Outlets outside, 5 Power Outlets inside as well as 4 wire holes and a perforated rear vent panel. Unit plugs into power with a single 12 ft. power cord.

The END PANELS are made of 18-gauge 1" square tubing, welded flush to an 18-gauge end panel. The inside of each end panel is reinforced by 22-gauge hat channels. These hat channels are dual purpose: added strength and for tote rail shelf mounting. The dome top is 18-gauge formed and welded construction, bolted to each end panel and rear panel. The base is a durable 18-gauge steel construction formed and welded to support the entire weight of the unit squarely. Underneath is a heavy welded hat channel reinforcement. The base shelf is attached to both end panels. The Rear Panel is 18-gauge steel reinforced. Two grommet holes (a lower and upper) are punched for convenient wire management and electronic storage. Casters are 5" in diameter, with 2 locking. Optional glides are 3/8" threaded stem.

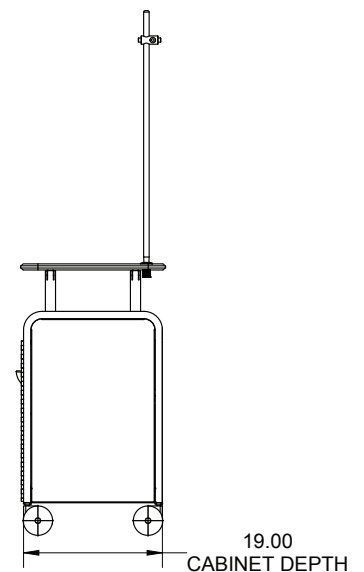
RISER SHELVES are sized perfectly for each cabinet size. These riser shelves are made of 1 1/4" high density particle board with your choice of laminate and T-Mold color. Shelf is suspended 6 inches above the dome top with 4 riser shelf handles, which measure 1 1/2" diameter and come in Platinum powder coat paint finish (0.03" Thickness). These riser shelf handles bolt on from underneath the dome top with a hefty 3" washer.

The DOORS include a secure and reliable locking mechanism, which engages lock rods into the dome top and the base shelf. Doors also come with urethane ergonomic and modern door handles of your color choice. The fully hinged doors articulate 270 degrees, free of obstruction.

The APPARATUS ROD is constructed of 2 uprights and 1 crossbar which are 3/4" (19mm) diameter, anodized aluminum rods, with rounded ends. The apparatus rod can be adjusted in height by using the aluminum lock nut and washer on either end of the crossbar, tighten to secure at desired height.



4 OUTLETS ON BACK; 5 ON INSIDE WITH 12' CORD



Cascade Frame



PLATINUM

RISER TOP & EDGE PROFILE

1 1/4" TOP



U

3/8"
BUMPER



P

4MM
T-MOLD

Mega-Case Makercart with riser available with 1 1/4" top only.

Choice U is standard edge. For optional edge option P, replace U with P in model number.

Standard Laminate Options *(Casade Riser Shelves)

Want to specify a different laminate?

No problem. If you have 20 or more tops of the same color -60 or -38 there is no upcharge. Have 20 or less? We can quote for you with the Wilsonart code and – finish style. We can specify other laminates – call to inquire and get a quote.



Suggested Standard Laminates:



ASIAN NIGHT
7949-60
ANG



BOARDWALK OAK
7983-60
BWK



PEWTER MESH
4878-60
PEW



CLASSIC LINEN
4943-60
CLN



HIGH RISE
4996-60
HRE



BUKA BARK
7982-60
BBK



PALISADES OAK
7987-60
PSO



FLAX LINEN
4990-60
FLL



MISSION MAPLE
7990-60
MIM

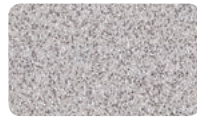


NEW AGE OAK
7938-60
NEW

Classic Standard Laminates:



WILD CHERRY
7054-60
CHE



GREY NEBULA
4622-60
GNB



FUSION MAPLE
7909-60
MAP

All 13 of the standard laminates are -60 finish, if you need to match a laminate from a previous year, please let us know on your order (example Pewter Mesh 4878-38, our standard is -60).

When the WilsonArt Laminate code includes a "Y", "K", "-12" "-78", "Aeon" etc, these are special laminates with an upcharge, even when it contains -38 or -60.

Cascade End Panel and Edge Color Options



APPLE **A**



BLACK **B**



BLUEBERRY **C**



BURGUNDY **D**



CERULEAN **S**



CHARCOAL **R**



CHOCOLATE **Q**



CLEMENTINE **E**



FOREST GREEN **F**



FUCHSIA **G**



MINT **H**



MOCHA **T**



NAVY **I**



ORANGE **U**



PERSIAN BLUE **J**



PLATINUM **P**



PURPLE **K**



RED **L**



YELLOW **N**