



planner studio tables

36" deep rectangles

MODEL #: 25200-25216

PLANNER STUDIO, 36" DEEP

DIMENSIONS + FREIGHT

Model	Description	D"	W"	H"	F.C.	WT
36" Deep Models (All tables come with casters only)						
25200f	36x48 Table	29" fixed-height	36	48	29	70 112
25202f	36x48 Table	36" fixed-height	36	48	36	70 115
25204f	36x48 Table	40" fixed-height	36	48	40	70 119
36" Deep Models (All tables come with casters only)						
25206f	36x60 Table	29" fixed-height	36	60	29	70 127
25208f	36x60 Table	36" fixed-height	36	60	36	70 130
25210f	36x60 Table	40" fixed-height	36	60	40	70 134
36" Deep Models (All tables come with casters only)						
25212f	36x72 Table	29" fixed-height	36	72	29	70 143
25214f	36x72 Table	36" fixed-height	36	72	36	70 146
25216f	36x72 Table	40" fixed-height	36	72	40	70 150



Shown at 29"H, 36"H and 40"H in Cerulean, Apple and Orange.

OVERVIEW

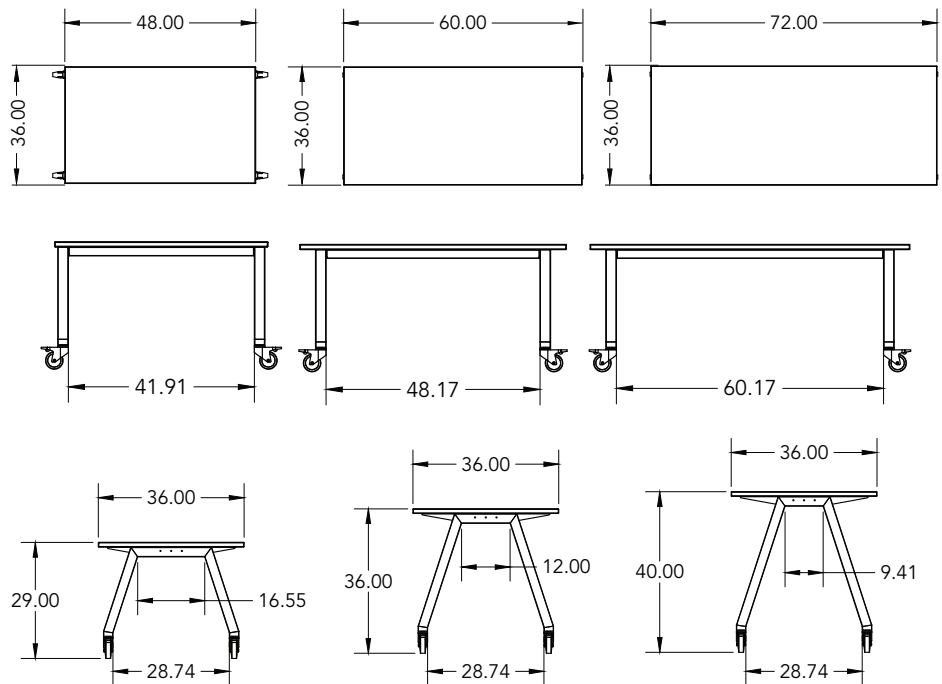
Planner Studio is ideal for all kinds of classroom activities. The heavy duty construction contributes to a sturdy work surface that can hold 400 pounds. The Planner Studio table is shipped ready to assemble.

The 1 1/4" thick WORK SURFACE consists of a 45 lb density particle board core with a .030" high pressure laminated surface and a .020" melamine backer sheet. The edge of the work surface features a 3mm flat self edge.

The FRAME consists of two fully welded leg segments and a center support channel. The legs are attached to the pre-drilled holes in the top with #10 x 5/8" wood screws through a 14-gauge steel mounting plate. The mounting plate is welded to (2) 60mm x 60mm 14-gauge steel square tube legs which are welded to a 1" x 2" 14-gauge steel tube cross bar. The center support channel is 2" x 3" 14-gauge steel, with 14-gauge steel end plates for maximum stability. The center support channel is connected to the legs by (4) connector bolts. 4" casters are standard.

PLANNER STUDIO EDGE PROFILE

F 3mm Edge 1 1/4" top with 3mm flat edge. F to follow Model No.



Laminates options: *(includes matching 3mm edge)*



PEWTER MESH
PEW



MISSION MAPLE
MIM



WHITEBOARD
WTB

- Whiteboard laminate, add \$125 to list price.
- 3mm edge finished in Grey [North Sea] on Whiteboard tops.
- Whiteboard laminate surface not warranted.



Frame Color Options



APPLE
AP



CERULEAN
CE



CHARCOAL
CG



ORANGE
OR



PLATINUM
PL

