

Assembly Instructions

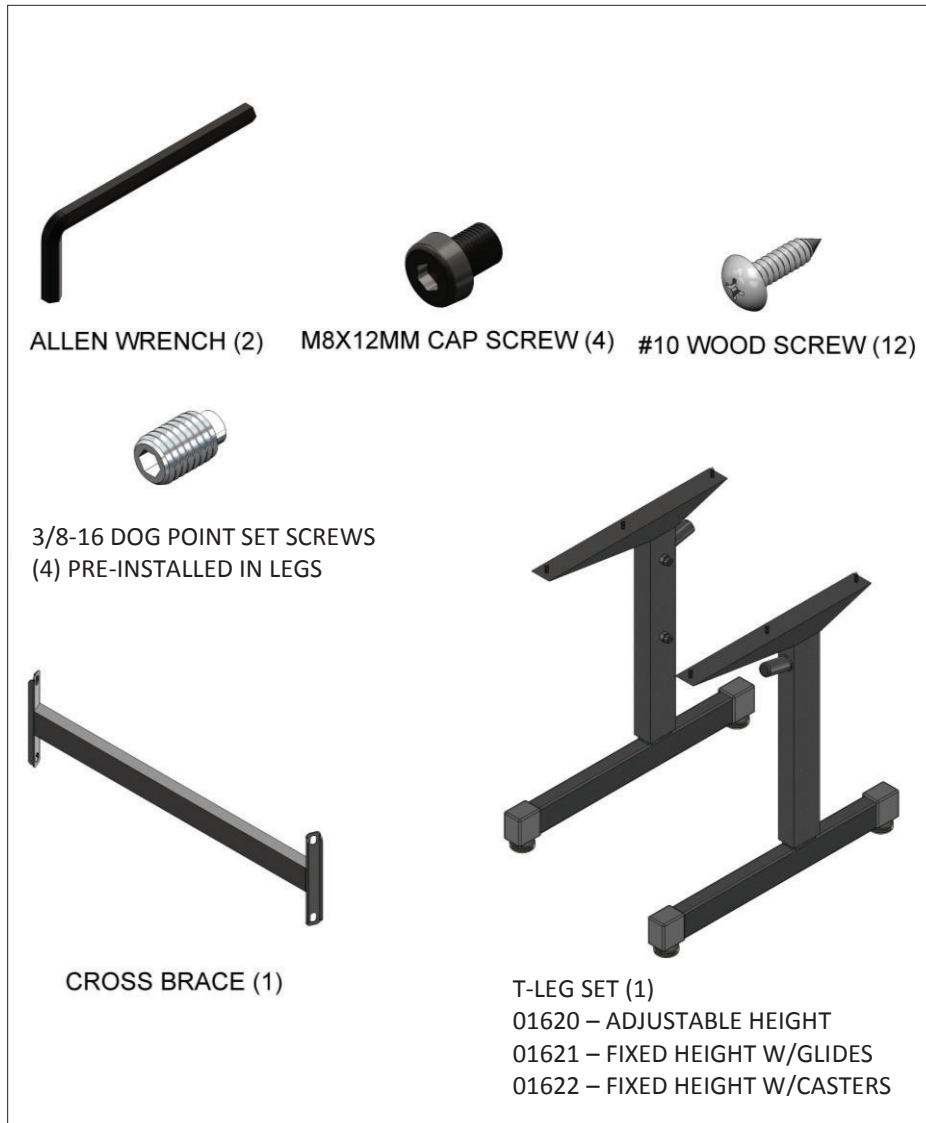
Silhouette Arc Desk

Models: 01620, 01621, 01622



If you have damaged or missing components,
Please contact customer service at 1-800-328-1061

Hardware and Components



Special Notes

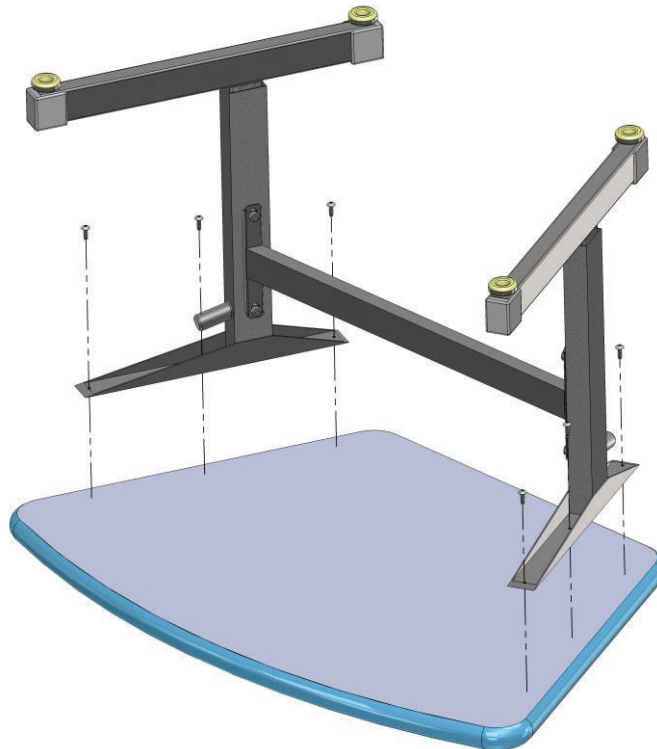
- Check that all components are accounted for and undamaged before assembling.
- Please assemble the products in a clean and dry area.
- Clean the product with a mild cleaner and a damp cloth.

Assembly Instructions

1. Using supplied allen wrench, attach legs to cross brace using M8-12mm cap screws.

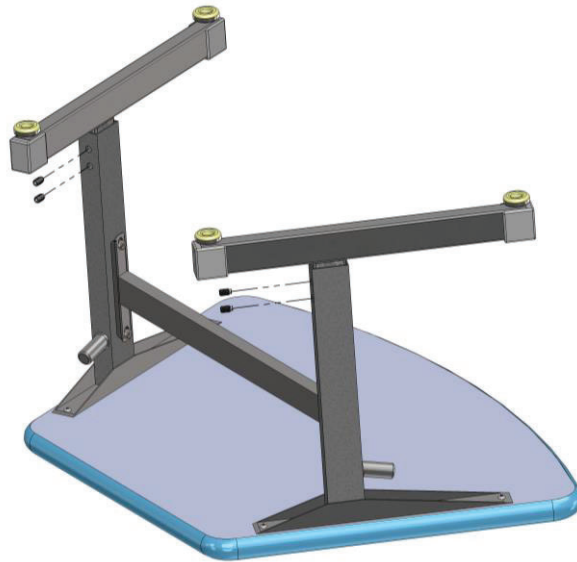


2. Place the table top on a smooth surface facing down and attach the legs using #10 wood screws.



Assembly Instructions Continue

3. Identify desired height setting. Using the allen wrench, secure the adjustable legs using 3/8-16 dog-point set screws.
 - a. NOTE: if your desk came with fixed height leg set, you may skip this step and go to step 4.



4. Carefully flip the desk to the upright position. The desk is now ready to use.

