

Assembly Instructions

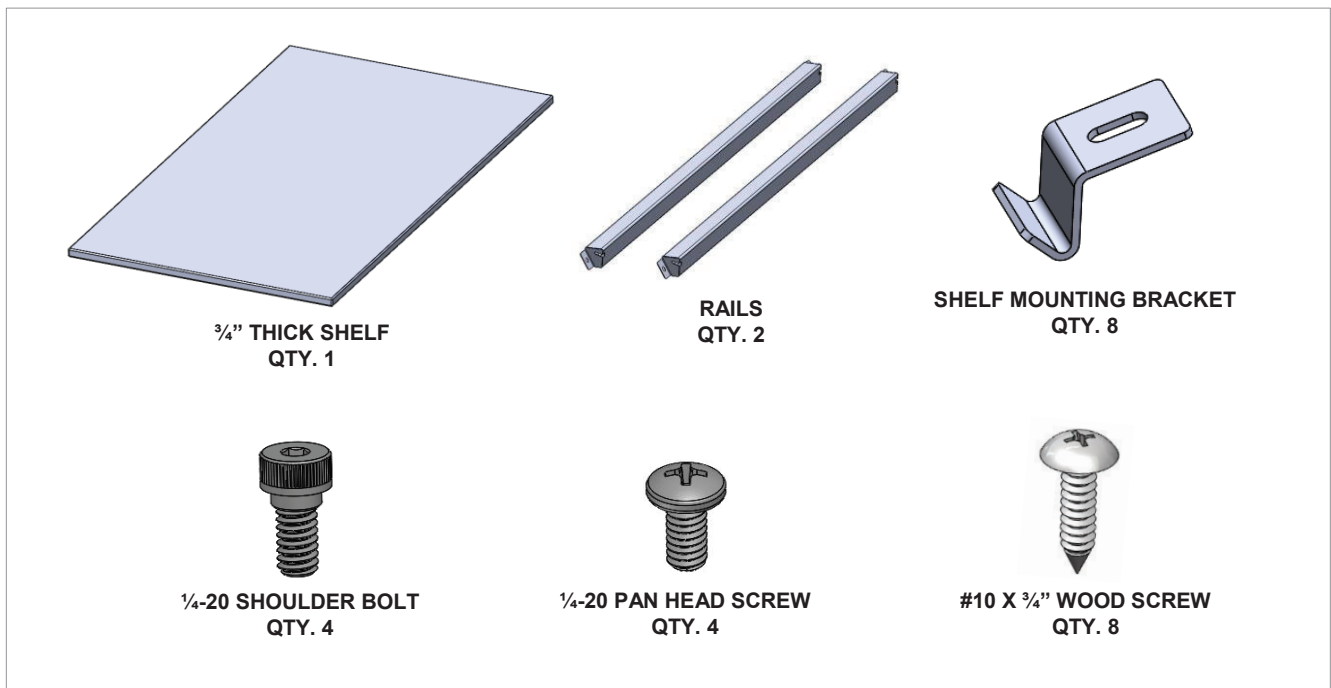
Planner Studio - Second Surface



Planner Studio Table shown with SECOND SURFACE (shelf) installed.

If you have damaged or missing components,
Please contact customer service at 1-800-328-1061

Hardware and Components



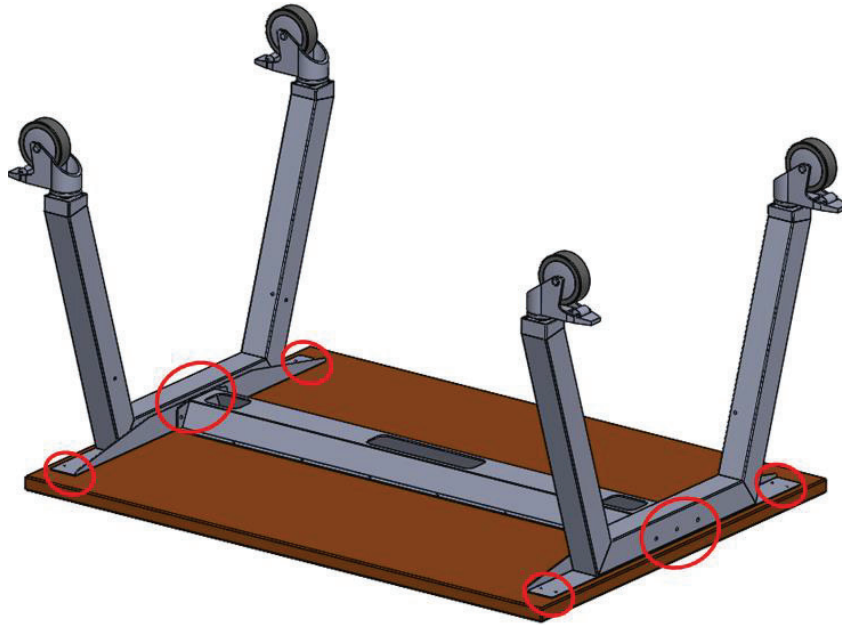
Special Notes:

- **TOOLS REQUIRED:**
 - Safety glasses (to protect from sawdust)
 - Drill w/#2 Phillips Head Driver Bit.
 - #2 Phillips Head Screwdriver.
 - 3/16" Allen Wrench.
 - Ratchet with 7/16" Socket – or – 7/16" wrench
- **You will need another person to help assemble the product.**
 - Team lifting required.
 - Extra person helpful when fitting rails onto table legs.
- Check that all components are accounted for and undamaged before assembling.
- Please assemble the product in a clean and dry area.
- Clean the product with a mild cleaner and a damp cloth.

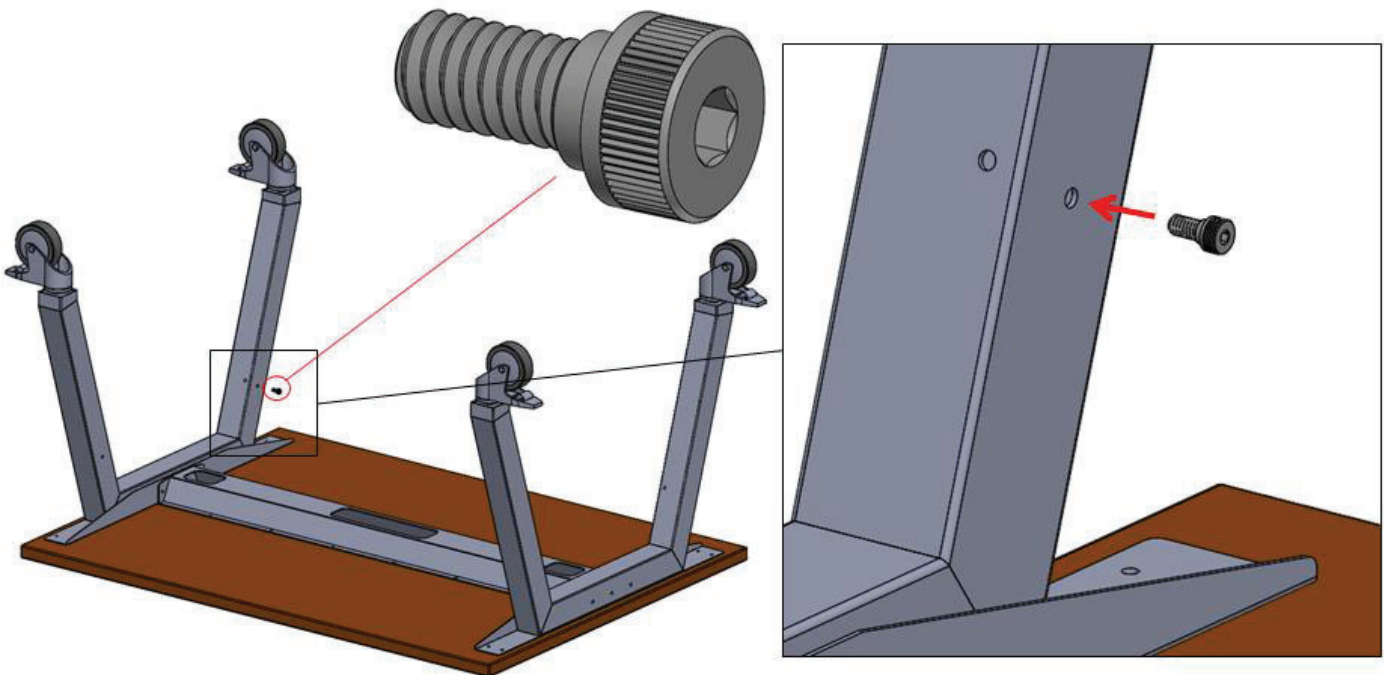
Assembly Instructions

BEGIN

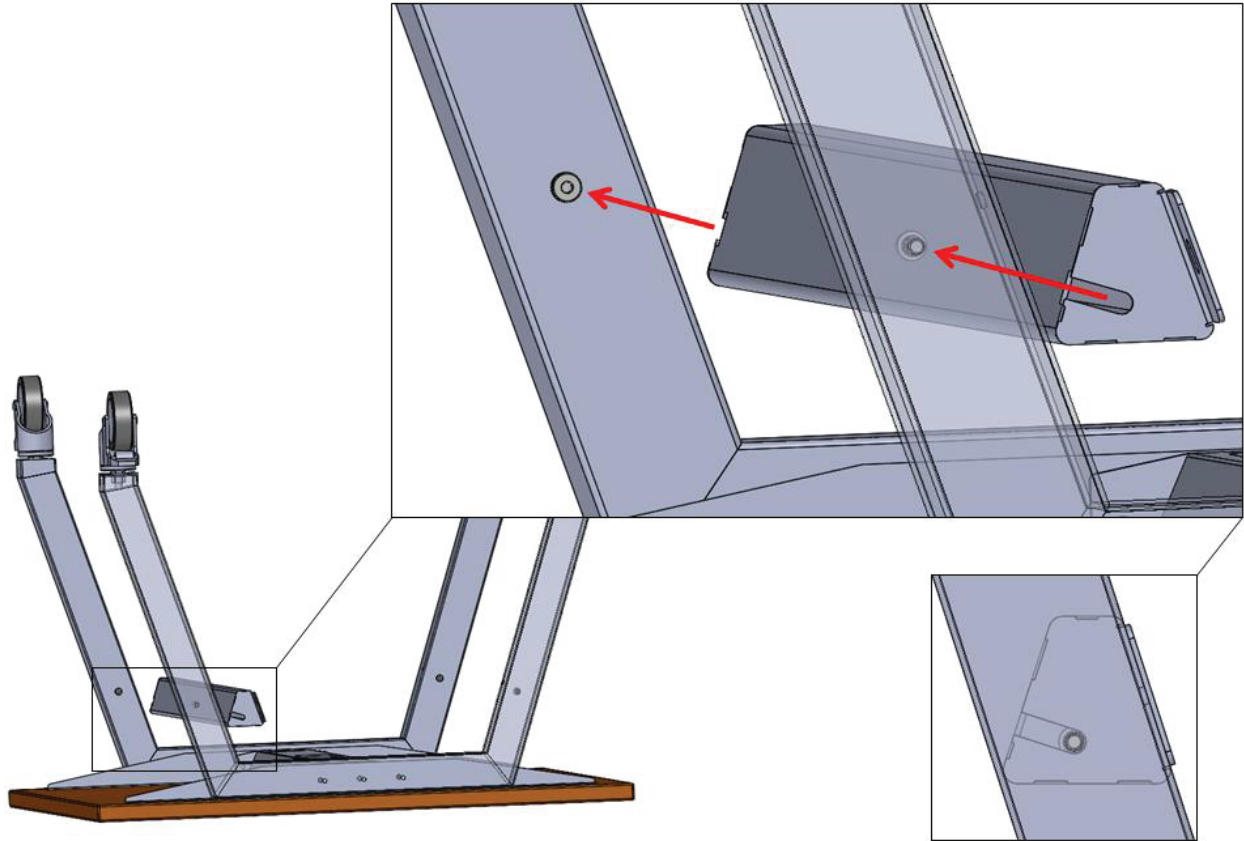
1. With a partner, team lift the table and lay it upside down on a surface that will not damage the laminate table top.
2. Use 7/16" socket (or wrench), 3/16" allen wrench, and #2 screwdriver to loosen leg fasteners in order to flex slightly during rail installation in upcoming steps. This will help prevent scratching leg paint with the rails.



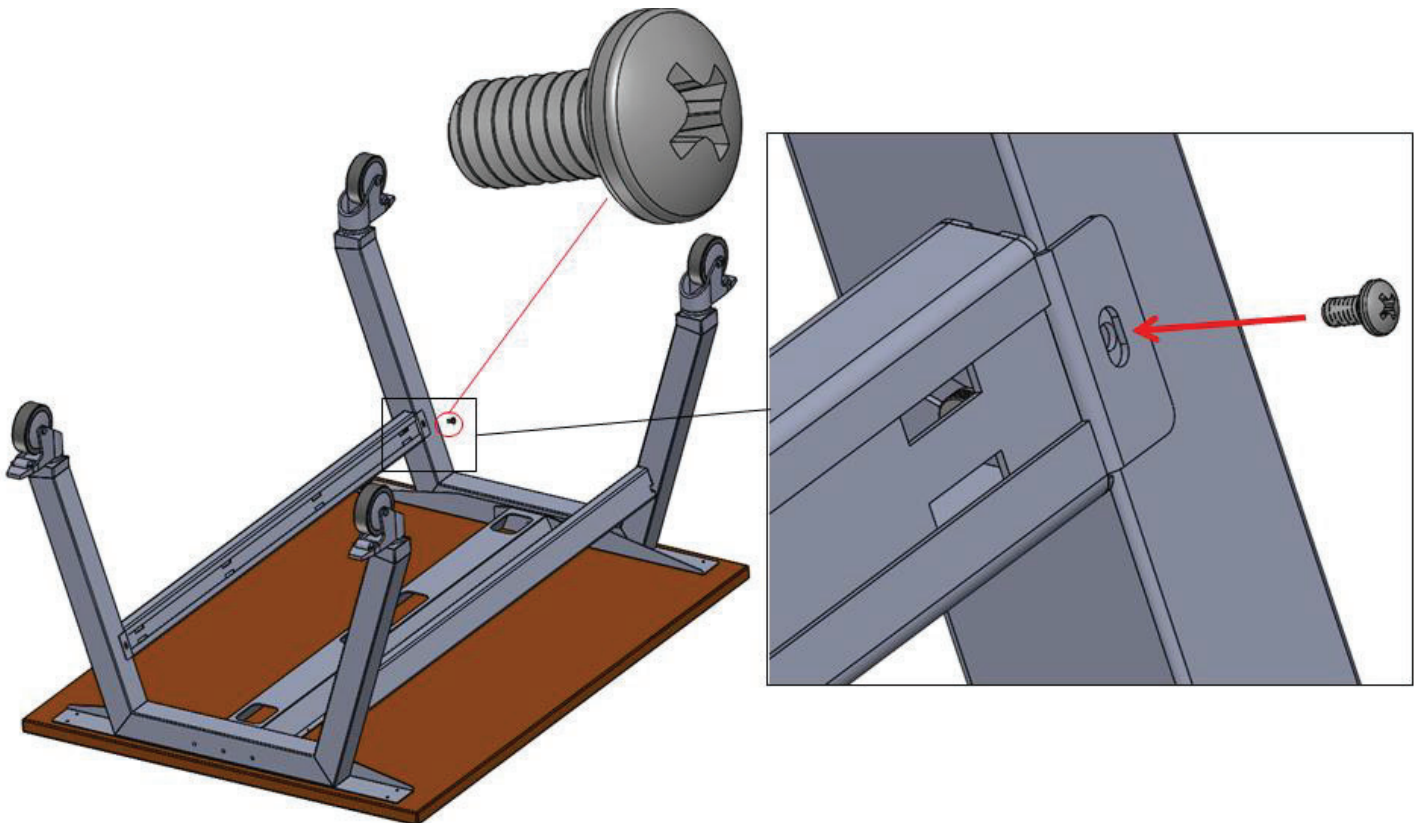
3. Using a 3/16" allen wrench, install 1/4-20 Shoulder Bolts as shown on all 4 legs.



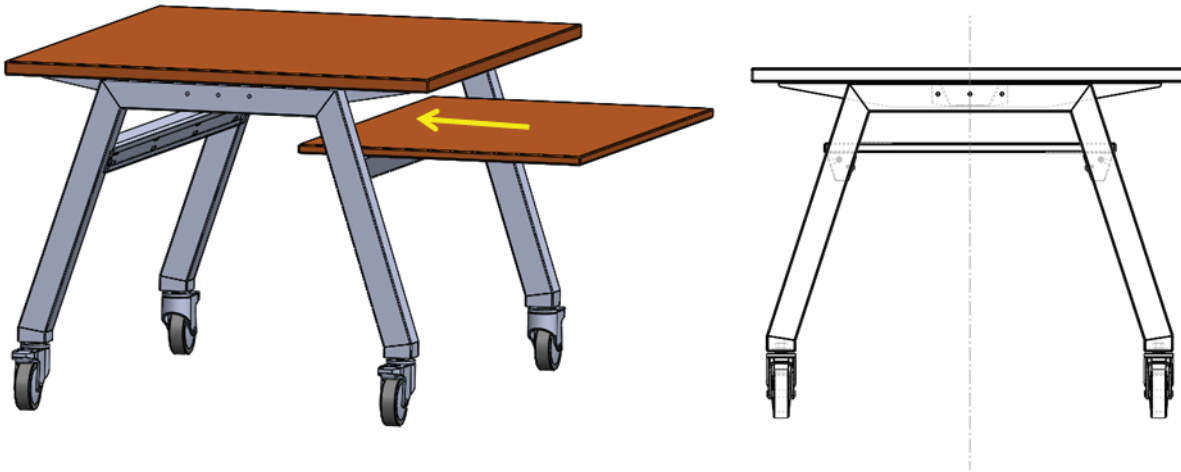
4. With a partner, install rails by aligning slots on rail ends with shoulder bolts and sliding rails into position as shown.



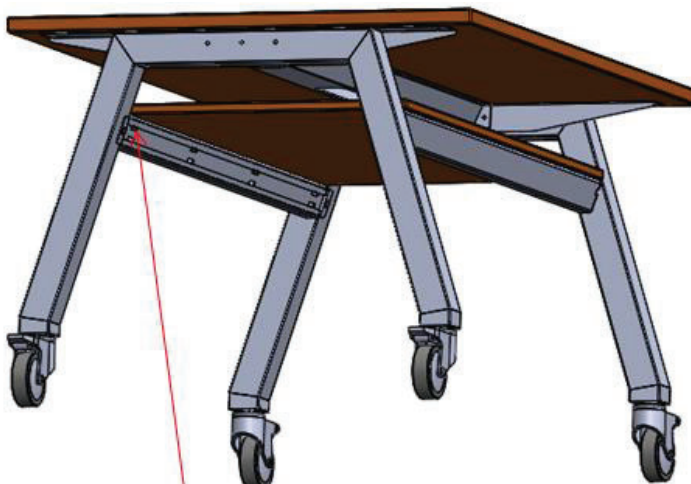
5. Secure rails into place by installing the 1/4-20 Pan Head Screws as shown.



6. Tighten all the leg fasteners, then use a partner to team lift the table back into its upright position.
7. Slide shelf into position and center on rails as shown. (Some shelves may overhang rails.)



8. Install all 8 shelf mounting brackets using a drill to drive the provided wood screws into place once the bracket is in position.
 - a. HELPFUL HINT – Install the outer corners first.



USE SAFETY GLASSES
TO PROTECT FROM
FALLING SAWDUST
WHILE USING DRILL.



DONE.