



groove™ adjustable chair (a-shell)

MODEL #: 33840, 33841



DIMENSIONS

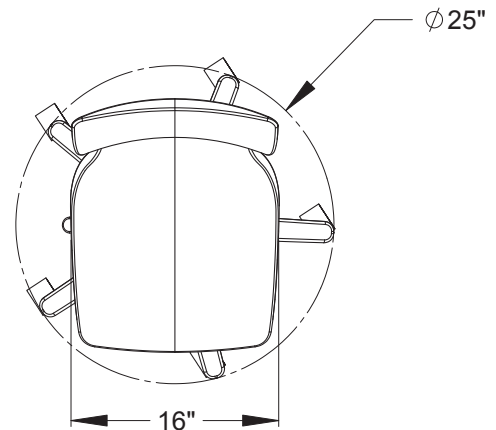
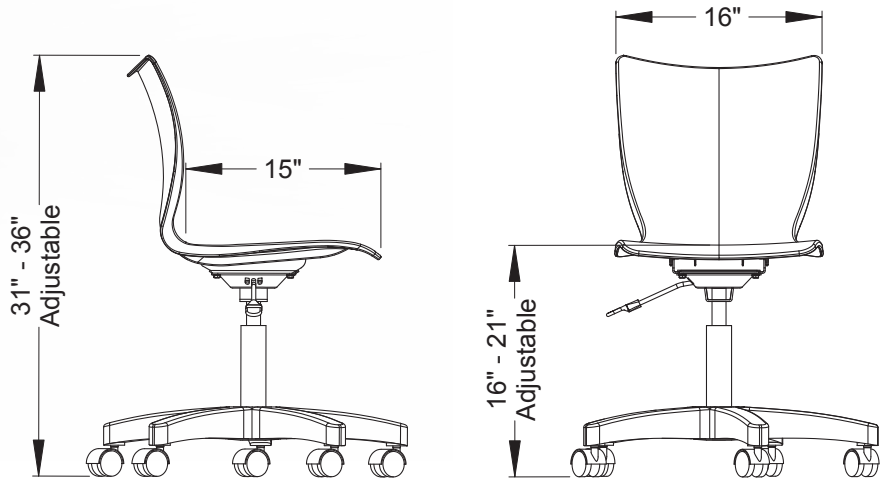
Model	D"	W"	H"	F.C.	CUBE	WT	UPS
Groove™ Adjustable Chair							
33840 (casters)	25"	25"	16"-21"	85	2.1	26 lbs	√
33841 (glides)	25"	25"	16"-21"	85	2.1	26 lbs	√
carton dimensions	27.25"	21.5"	42.5"				

OVERVIEW

Comfortable seat helps students keep proper posture and provides support for back and legs. Flat seat pan with waterfall front edge. Chair shell comes in 17 colors and 5-star base in black only.

The SHELL is 100% virgin polypropylene material with a shallow seat pan allowing four-position seating for infinite seating styles. The back supplies rigid support while being specifically designed with added flexibility that adapts to individual requirements and supplies long lasting comfort.

The seat is secured to the FRAME with an 11-gauge plate mounted by 4 screws beneath the chair. The plate attaches to a pneumatic lift, which is a hydraulic cylinder that allows a full 360 degrees swivel. It comes with black nylon base with a 5-star design and in a choice of 2" soft tread casters or glides.



Groove™ 5-Star Base



BLACK
BLA

Groove™ Shell Color Options



APPLE A



BLACK B



BLUEBERRY C



BURGUNDY D



CERULEAN S



CHARCOAL R



CHOCOLATE Q



CLEMENTINE E



FOREST GREEN F



FUCHSIA G



MINT H



NAVY I



ORANGE U



PERSIAN BLUE J



PURPLE K



RED L



YELLOW N