



groove™ mobile stack chair

18" seat height (a-shell)

MODEL #: 33855



OVERVIEW

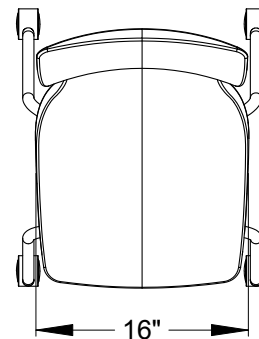
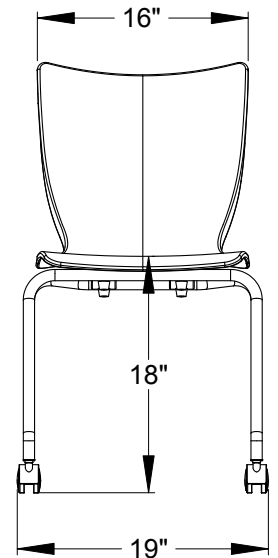
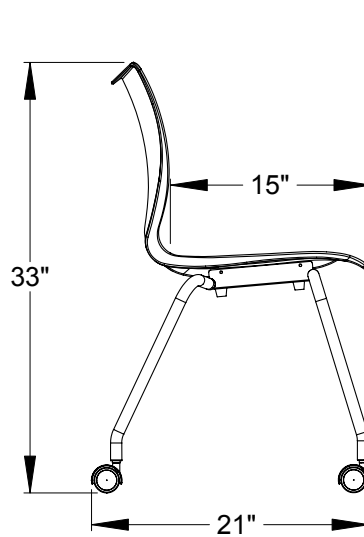
Comfortable seat helps students keep proper posture and provides support for back and legs. Flat seat pan with waterfall front edge. Chair shell comes in 17 colors and frame in Chrome or Platinum.

The SHELL is 100% virgin polypropylene material with a shallow seat pan allowing four-position seating for infinite seating styles. The back supplies rigid support while being specifically designed with added flexibility that adapts to individual requirements and supplies long lasting comfort. The shell includes an integrated handle molded in for easy movement of the chair.

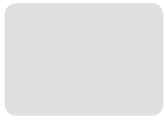
The FRAME is constructed of strong 0.875" x 14-gauge tubing that is either chrome plated or powder painted for long lasting, durable finish is capped off with our durable 2" swivel casters. The shell is attached to 16-gauge mounting plate via a metal to metal steel riveted connection.

DIMENSIONS

| Model | D" | W" | H" | F.C. | CUBE | WT | UPS |
|-----------------------------------|--------|-------|-------|------|------|--------|-----|
| Groove™ Mobile Stack Chair | | | | | | | |
| 33855 | 21" | 19" | 18" | 125 | 2.4 | 12 lbs | ✓ |
| carton dimensions | 27.25" | 21.5" | 42.5" | | | | |



Groove™ Frame Color Options



CHROME
CHR



PLATINUM
PLT

Groove™ Shell Color Options



APPLE A



BLACK B



BLUEBERRY C



BURGUNDY D



CERULEAN S



CHARCOAL R



CHOCOLATE Q



CLEMENTINE E



FOREST GREEN F



FUCHSIA G



MINT H



NAVY I



ORANGE U



PERSIAN BLUE J



PURPLE K



RED L



YELLOW N