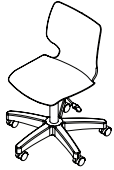




# Theorem™ Adjustable Chair

## 16"-21" seat height (a-shell)

MODEL #: 44840, 44840U, 44841, 44841U



#44840 - CASTERS



#44840U - CASTERS - SEAT PAD



#44841 - GLIDES



#44841U - GLIDES - SEAT PAD

### OVERVIEW

Comfortable seat helps students keep proper posture and provides support for back and legs. Flat seat pan with waterfall front edge. Chair shell comes in 10 colors and frame in Platinum only.

### MATERIALS

The SHELL is a Nylon Plastic material with a shallow seat pan. The back supplies rigid support while being specifically designed with added flexibility that adapts to individual requirements and supplies long lasting comfort.

The seat is secured to the FRAME with an 11-gauge plate mounted by 4 screws beneath the chair. The plate attaches to a pneumatic lift, which is a hydraulic cylinder that allows a full 360 degrees swivel. It comes with black nylon base with a 5-star design and in a choice of 2" soft tread casters or glides.

The optional SEAT PAD is a molded seat foam made with heavy duty polyester fabric and a curved plywood substrate. Available as an add-on option for all Theorem chairs.

### DURABILITY

100,000 rubs using the ASTM D4966:2010(2016)  
Option 1 - Martindale Test

### SHELL COLOR OPTIONS



APPLE A



BLACK B



BURGUNDY D



CERULEAN S



NAVY I



ORANGE U



PERSIAN BLUE J



PLATINUM P



RED L



CHARCOAL R

### 5 STAR BASE:



BLACK  
BLA

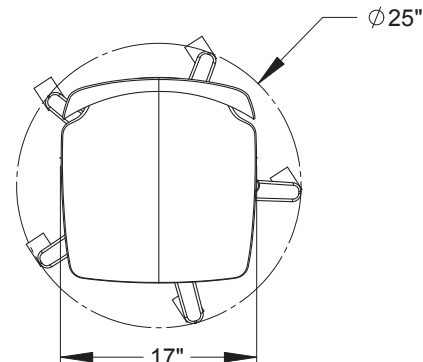
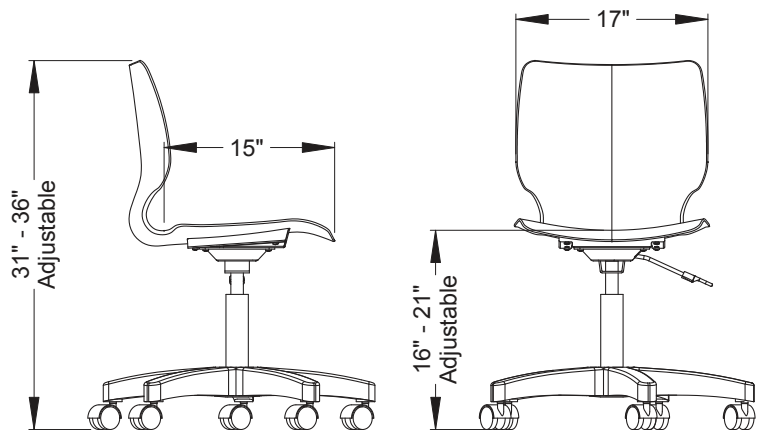
### SEAT PAD COLOR:



BLACK  
BLA

### DIMENSIONS

Model	Description	D"	W"	H"	F.C.	Cube	WT
44840	Adjustable Chair w/ casters	25	25	16-21			27
	shipping dimensions	27.25	21.5	42.5	85	2.1	
44840U	w/ seat pad	25	25	17.5-22.5			27
	shipping dimensions	27.25	21.5	42.5	85	2.1	
44841	Adjustable Chair w/ glides	25	25	16-21			27
	shipping dimensions	27.25	21.5	42.5	85	2.1	
44841U	w/ seat pad	25	25	17.5-22.5			27
	shipping dimensions	27.25	21.5	42.5	85	2.1	



44840