



theorem™ adjustable stool

18" seat height (a-shell)

MODEL #: 44842, 44843



DIMENSIONS

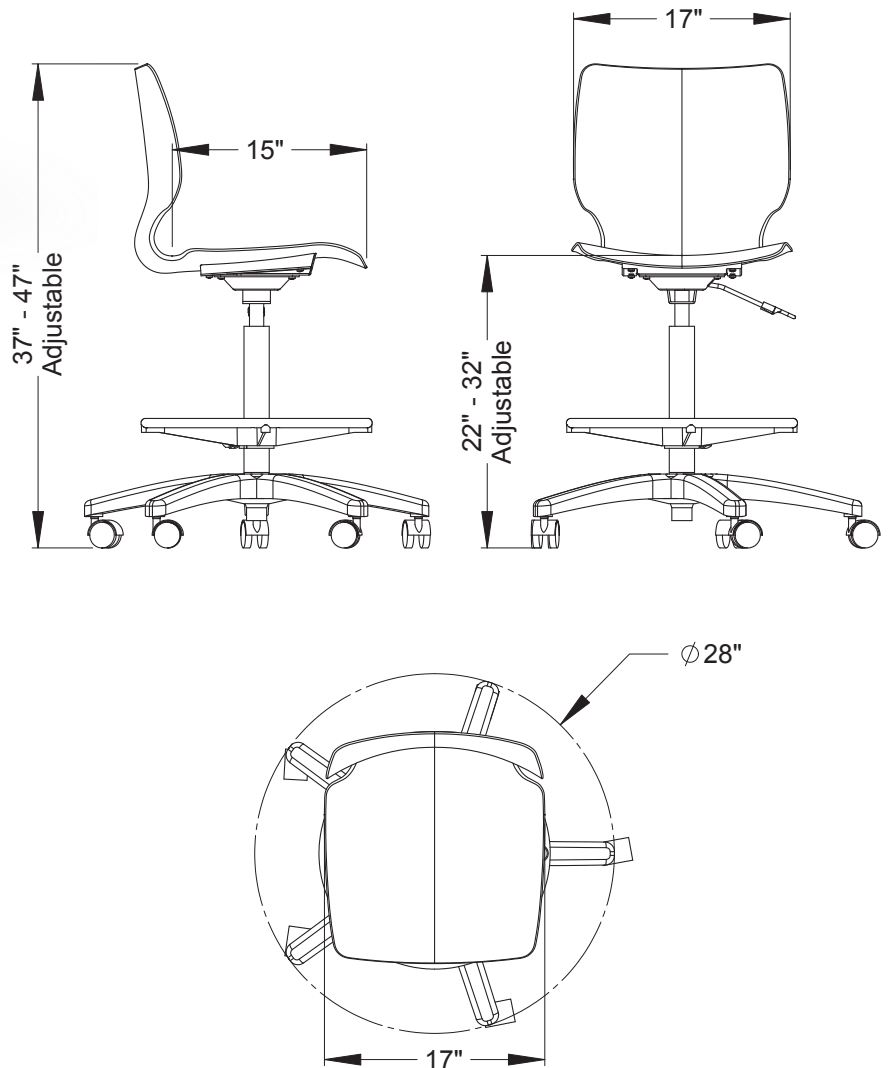
Model	D"	W"	H"	F.C.	CUBE	WT	UPS
Theorem™ Adjustable Stool							
44842 (casters)	28"	28"	22"-32"	85	2.4	35 lbs	√
44843 (glides)	28"	28"	22"-32"	85	2.4	35 lbs	√
carton dimensions	27.25"	21.5"	42.5"				

OVERVIEW

Comfortable seat helps students keep proper posture and provides support for back and legs. Flat seat pan with waterfall front edge. Chair shell comes in 10 colors and 5-star base in black only.

The SHELL is a Nylon Plastic material with a shallow seat pan allowing four-position seating for infinite seating styles. The back supplies rigid support while being specifically designed with added flexibility that adapts to individual requirements and supplies long lasting comfort.

The seat is secured to the FRAME with an 11-gauge plate mounted by 4 screws beneath the chair. The plate attaches to a pneumatic lift, which is a hydraulic cylinder that allows a full 360 degrees swivel. It comes with black nylon base with a 5-star design and in a choice of 2" soft tread casters or glides.



Theorem™ Frame Color Options



PLATINUM
PLT

Theorem™ Shell Color Options



APPLE A



BLACK B



BURGUNDY D



CERULEAN S



CHARCOAL R



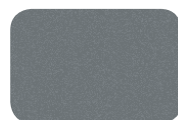
NAVY I



ORANGE U



PERSIAN BLUE J



PLATINUM P



RED L