



# silhouette two-student 24 x 48

22"-34" adjustable height w/ glide

MODEL #: 01675

## DIMENSIONS + FREIGHT

| MODEL # | D"  | W"  | H"        | F.C. | CUBE | WEIGHT  |
|---------|-----|-----|-----------|------|------|---------|
| 01675   | 24" | 48" | 22" - 34" | 70   | 1.4  | 78 lbs. |

## OVERVIEW

Shipped ready to assemble, these desks have a heavy-duty work surface that won't sag under heavy books or equipment. The Silhouette Desk is great for rows, pairs, or groupings for collaborative learning.

The WORK SURFACE consists of a 45 lb density particle board core with a .030" high pressure laminated surface and a .020" melamine backer sheet. The edge of the work surface features 3/8" bumper edge molding that is fastened every 6 to 8 inches to assure a long lasting fit. The frame is attached to the pre-drilled holes in the top with (6) #10 screws through a 1" x 1.75" 18-gauge steel channel. The mounting channel is welded to a 1" x 2" rectangular 16-gauge steel tube leg. The leg inserts are 1" x 1.75" 16-gauge steel tube and adjust in height from 22" to 34" in 1" increments. The adjustment for each leg is secured with (2) allen screws.

The legs are tied together for added strength with a 1" x 2" 16-gauge steel tube stretcher bar and (4) bolts. Legs have 1" leveling glides. Book Box is optional (Model 17190), all welded 22-gauge steel construction that has a curled hem on the front opening. Book box comes in a BLACK powdercoat finish, Platinum is special order only.  
\*Book box sold separately.

## OPTIONAL ACCESSORIES

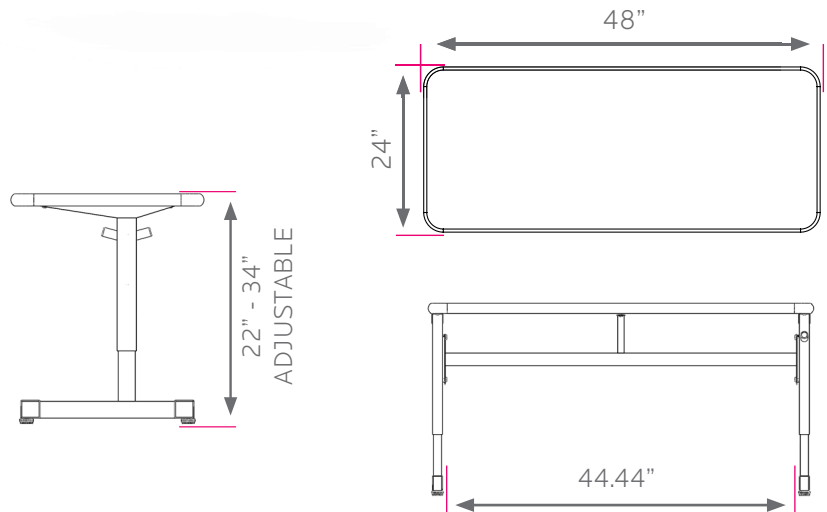
| MODEL # |                      | D"    | W"    | H"   | F.C. | CUBE | WEIGHT  |
|---------|----------------------|-------|-------|------|------|------|---------|
| 17190   | steel bookbox        | 15"   | 20"   | 4"   | 70   | 3.0  | 8 lbs.  |
| 17200   | wire book-basket     | 15"   | 18"   | 3.5" | 70   | 3.0  | 5 lbs.  |
| 30925   | SW tray w/ housing   | 16.8" | 13.5" | 3"   | 70   | 1.2  | 8 lbs.  |
| 30926   | EW tray w/ housing   | 16.8" | 19.6" | 3"   | 70   | 1.2  | 10 lbs. |
| 17576   | 3" casters, set of 4 |       |       | 3"   | 70   | 0.1  | 5 lbs.  |



**Make it mobile.**  
Order Model 17576  
Makes work surface 36"h  
Accommodates 24"h Stools



**Model 01676 24x54 shown.**  
Shown with optional 3" casters, making work surface 36"h. Flavors 24" Stools, Model 11889 shown.



## SILHOUETTE TOP & EDGE PROFILE

1 1/4" TOP



3/8" BUMPER



D

4MM T-MOLD

## Silhouette Frame Color Options



BLACK  
BLA



PLATINUM  
PLT

## Standard Laminate Options

Want to specify a different laminate?

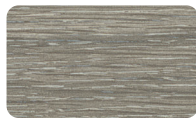
No problem. If you have 20 or more tops of the same color -60 or -38 there is no upcharge. Have 20 or less? We can quote for you with the Wilsonart code and – finish style. We can specify other laminates – call to inquire and get a quote.



Suggested Standard Laminates:



ASIAN NIGHT  
7949-60  
ANG



BOARDWALK OAK  
7983-60  
BWK



PEWTER MESH  
4878-60  
PEW



CLASSIC LINEN  
4943-60  
CLN



HIGH RISE  
4996-60  
HRE



BUKA BARK  
7982-60  
BBK



PALISADES OAK  
7987-60  
PSO



FLAX LINEN  
4990-60  
FLL

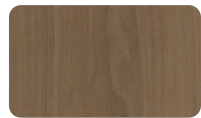


MISSION MAPLE  
7990-60  
MIM



NEW AGE OAK  
7938-60  
NEW

Classic Standard Laminates:



FRENCH PEAR  
8220-60  
FRP



WILD CHERRY  
7054-60  
CHE



GREY NEBULA  
4622-60  
GNB



FUSION MAPLE  
7909-60  
MAP

All 14 of the standard laminates are -60 finish, if you need to match a laminate from a previous year, please let us know on your order (example Pewter Mesh 4878-38, our standard is -60).

When the WilsonArt Laminate code includes a "Y", "K", "-12" "-78", "Aeon" etc, these are special laminates with an upcharge, even when it contains -38 or -60.

## Standard Edge Color Options



APPLE A



BLACK B



BLUEBERRY C



BURGUNDY D



CERULEAN S



CHAMPAGNE O



CHARCOAL R



CHOCOLATE Q



CLEMENTINE E



FOREST GREEN F



FUCHSIA G



MINT H



MOCHA T



NAVY I



ORANGE U



PERSIAN BLUE J



PLATINUM P



PURPLE K



RED L



YELLOW N

Smith System®

MODEL 01675 - NOVEMBER 2019