



elemental nest & fold

24x72 adjustable height

MODEL #: NL2472_ _ _ _ _ EJ

DIMENSIONS + FREIGHT

| MODEL | DESCRIPTION | LEG TYPE | D" | W" | H" | F.C. | CUBE WT. |
|--------------------|-------------------|-------------------|----|----|-------|------|----------|
| Rectangle models | | | | | | | |
| NL2472_ _ _ _ _ EJ | 24x72 Nest & Fold | Adjustable Height | 24 | 72 | 29-40 | 70 | 1.6 59 |

BUILD PART NUMBER

| | | | | | | | | | | | | | |
|----|--------------|---|---|---|---------------------|---|---|-----------------|----------------|----|----|---|---|
| NL | 2 | 4 | 7 | 2 | 7 | 8 | 9 | 10 | 11 | 12 | 13 | E | J |
| or | Choose MODEL | | | | Pick Laminate Color | | | Pick Edge Color | Pick Leg Color | | | Pick Leg Style | |
| N8 | | | | | | | | | | | | Fixed-height with caster (EF) Adjustable-height with caster (EJ) | |

OVERVIEW

Elemental Nest & Fold tables have 5 frame colors, with matching colored casters standard. The unique colored legs are adjustable in height from 29" to 40" high. The tables' work surface flips upwards for convenient nesting.

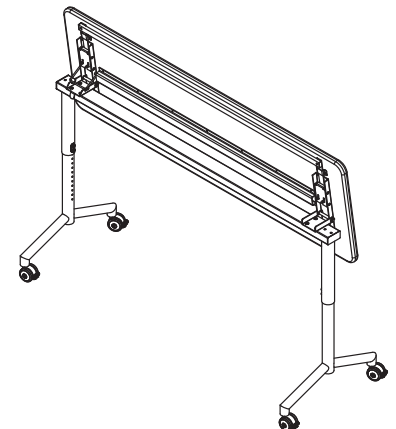
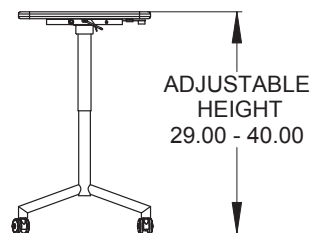
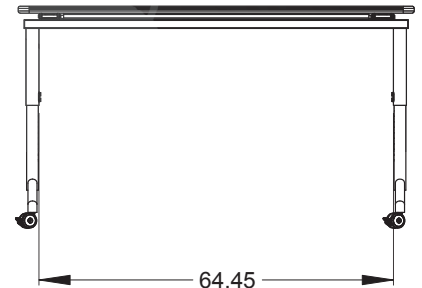
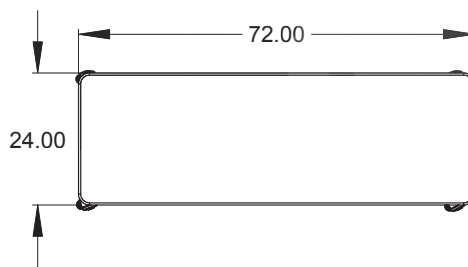
MATERIALS

The 1 1/4" thick WORK SURFACE consists of a 45 lb density particle board core with a 0.030" high pressure laminated surface and a 0.020" melamine backer sheet. The edge of the tabletop features your choice of a 3/8" bumper t-mold or 4mm t-mold, which is then fastened to the underside of the work surface every 6 to 8 inches to assure a long lasting fit. Mounted under the work surface is a 11 gauge steel STIFFENER for reinforcement.

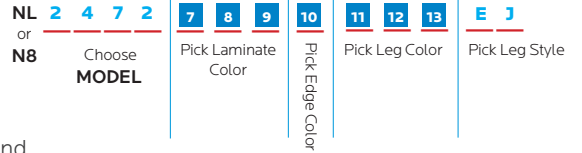
The Elemental LEG SETS are constructed of 16-gauge steel with a durable powdercoat paint finish in one of five colors. The pull-bar and mounting beam are also constructed of 16-gauge steel.

Color matched dual-wheel 3" casters standard on Nest & Fold tables. Legs and Casters come in Platinum, Charcoal, Orange, Cerulean or Apple and correspond with the leg set color choice.

COLORED-MATCHED CASTERS



Standard Laminate Options



Want to specify a different laminate?

No problem. If you have 20 or more tops of the same color -60 or -38 there is no upcharge. Have 20 or less? We can quote for you with the Wilsonart code and - finish style. We can specify other laminates - call to inquire and get a quote.



Suggested Standard Laminates: 7 8 9

| | | | | |
|--|--|--|---|--|
|  ASIAN NIGHT 7949-60 ANG |  BOARDWALK OAK 7983-60 BWK |  PEWTER MESH 4878-60 PEW |  CLASSIC LINEN 4943-60 CLN |  HIGH RISE 4996-60 HRE |
|  BUKA BARK 7982-60 BBK |  PALISADES OAK 7987-60 PSO |  FLAX LINEN 4990-60 FLL |  MISSION MAPLE 7990-60 MIM |  NEW AGE OAK 7938-60 NEW |

Classic Standard Laminates:

| | | | |
|---|---|---|---|
|  FRENCH PEAR 8220-60 FRP |  WILD CHERRY 7054-60 CHE |  GREY NEBULA 4622-60 GNB |  FUSION MAPLE 7909-60 MAP |
|---|---|---|---|


All 14 of the standard laminates are -60 finish, if you need to match a laminate from a previous year, please let us know on your order (example Pewter Mesh 4878-38, our standard is -60).

When the WilsonArt Laminate code includes a "Y", "K", "-12" "-78", "Aeon" etc, these are special laminates with an upcharge, even when it contains -38 or -60.

Standard Edge Color Options 10

| | | | | | |
|---|--|---|---|---|--|
|  APPLE A |  BLACK B |  BLUEBERRY C |  BURGUNDY D |  CERULEAN S |  CHAMPAGNE O |
|  CHARCOAL R |  CHOCOLATE Q |  CLEMENTINE E |  FOREST GREEN F |  FUCHSIA G |  MINT H |
|  MOCHA T |  NAVY I |  ORANGE U |  PERSIAN BLUE J |  PLATINUM P |  PURPLE K |
|  RED L |  YELLOW N | | | | |

Elemental Leg Colors 11 12 13

| | | | | |
|--|--|--|---|--|
|  PLATINUM PLT |  CHARCOAL CGR |  ORANGE ORG |  APPLE APL |  CERULEAN CER |
|--|--|--|---|--|