



# planner studio bench

single sided - butcher block

MODEL #: 25270BUTCHER, 25271BUTCHER

## PLANNER STUDIO, SINGLE SIDE BENCHES

### DIMENSIONS + FREIGHT

Model	Description	D"	W"	H"	F.C.	WT
<b>12" Deep Models</b>						
25270BUTCHER_	Studio Bench 12X46	12	46	18	70	xx
25271BUTCHER_	Studio Bench 12X58	12	58	18	70	xx

### OVERVIEW

Planner Studio is ideal for all kinds of classroom activities. The heavy duty construction contributes to a sturdy work surface that can hold 400 pounds. The Planner Studio table is shipped ready to assemble.

The WORK SURFACE consists of a 1 3/4" thick birchwood butcher block table top. Blocks are randomly placed, 6" length or greater, finger jointed birchwood. The corners are finished with a 1/8" radius.

The FRAME consists of two fully welded leg segments and a center support channel. The legs are attached to the pre-drilled holes in the top with #10 x 5/8" wood screws through a 14-gauge steel mounting plate. The mounting plate is welded to (2) 60mm x 60mm 14-gauge steel square tube legs which are welded to a 1" x 2" 14-gauge steel cross bar. The center support channel is 2" x 3" 14-gauge steel, with 14-gauge steel end plates for maximum stability. The center support channel is connected to the legs by (4) connector bolts. Comes standard with glides.

### BUTCHER BLOCK DETAILS



1 3/4" birchwood.  
BUTCHER to follow Model No.

BUTCHER BLOCK  
BUTCHER

### FRAME COLOR OPTIONS



APPLE  
AP



CERULEAN  
CE



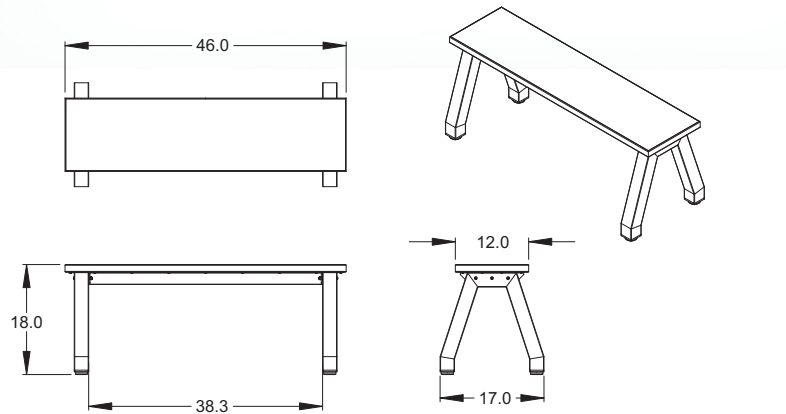
CHARCOAL  
CG



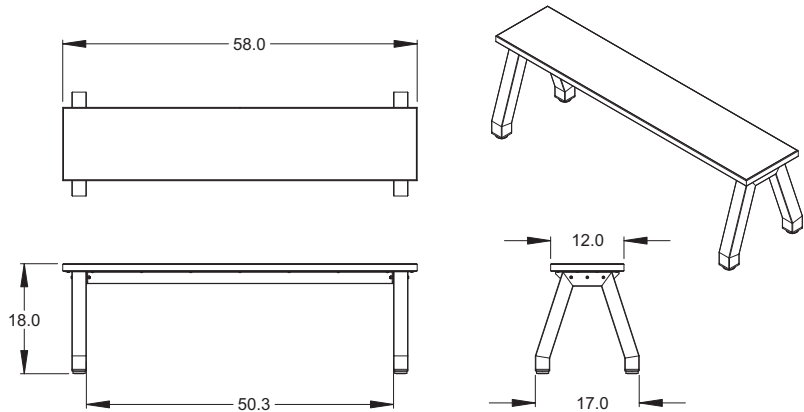
ORANGE  
OR



PLATINUM  
PL



12.0 x 46.0 Planner St Bench



12.0 x 58.0 Planner St Bench