



groove™ stack chair

14" seat height (b-shell)

MODEL #: 33847



OVERVIEW

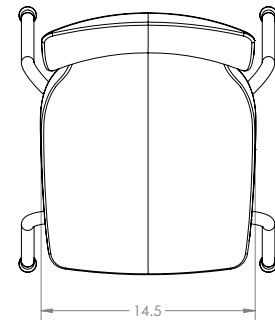
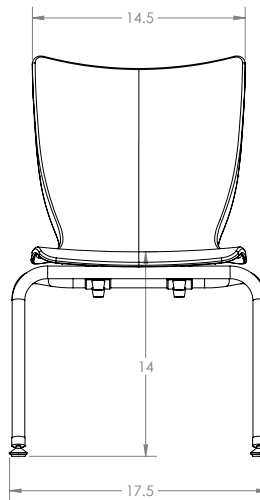
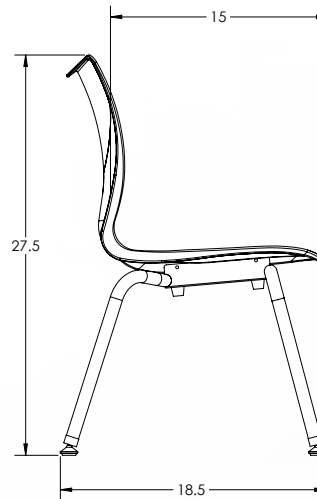
Comfortable seat helps students keep proper posture and provides support for back and legs. Flat seat pan with waterfall front edge. Chair shell comes in 17 colors and frame in Chrome or Platinum.

The SHELL is 100% virgin polypropylene material with a shallow seat pan allowing four-position seating for infinite seating styles. The back supplies rigid support while being specifically designed with added flexibility that adapts to individual requirements and supplies long lasting comfort. The shell includes an integrated handle molded in for easy movement of the chair.

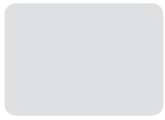
The FRAME is constructed of strong 0.875" x 14-gauge tubing that is either chrome plated or powder painted for long lasting, durable finish. The shell is attached to 16-gauge mounting plate via a metal to metal steel riveted connection.

DIMENSIONS

Model	D"	W"	H"	F.C.	CUBE	WT	UPS
Groove™ Stack Chair							
33847	18.5"	17.5"	14"	125	2.7	9 lbs	✓
carton dimensions	27.25"	21.5"	42.5"				



Groove™ Frame Color Options



CHROME
CHR



PLATINUM
PLT

Groove™ Shell Color Options



APPLE A



BLACK B



BLUEBERRY C



BURGUNDY D



CERULEAN S



CHARCOAL R



CHOCOLATE Q



CLEMENTINE E



FOREST GREEN F



FUCHSIA G



MINT H



NAVY I



ORANGE U



PERSIAN BLUE J



PURPLE K



RED L



YELLOW N



MODEL 33847

MODEL 33848

MODEL 33849