



theorem™ stack chair

18" seat height (a-shell) w/ arms

MODEL #: 44819

DIMENSIONS

Model	D"	W"	H"	F.C.	CUBE	WT	UPS
Theorem™ Stack Chair							
44819	21"	20"	18"	125	2.7	16 lbs	✓
carton dimensions	27.25"	21.5"	42.5"				

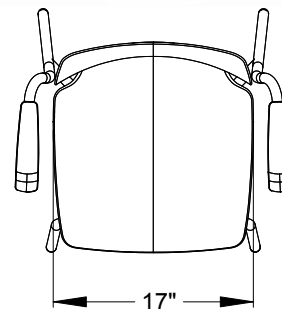
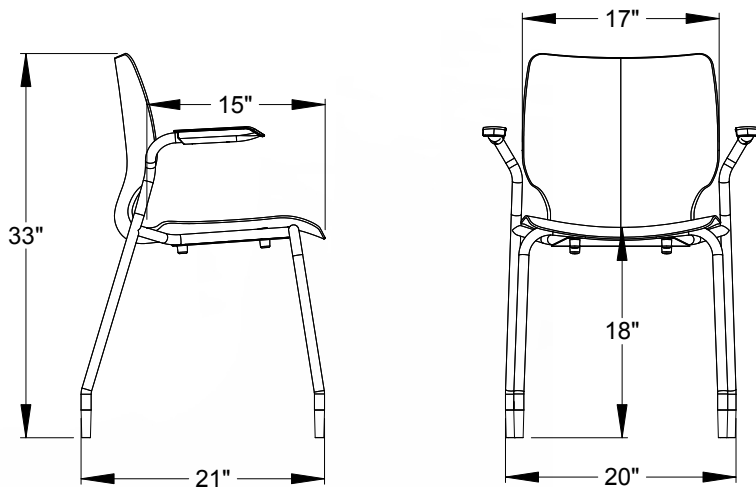


OVERVIEW

Comfortable seat helps students keep proper posture and provides support for back and legs. Flat seat pan with waterfall front edge. Chair shell comes in 10 colors and frame in Platinum only.

The SHELL is a Nylon Plastic material with a shallow seat pan. The back supplies rigid support while being specifically designed with added flexibility that adapts to individual requirements and supplies long lasting comfort.

The FRAME is constructed of strong 0.875" x 14-gauge tubing that is powder painted for long lasting, durable finish. The shell is attached to 14-gauge mounting plate.



Theorem™ Frame Color Options



PLATINUM
PLT

Theorem™ Shell Color Options



APPLE A



BLACK B



BURGUNDY D



CERULEAN S



CHARCOAL R



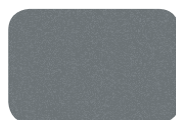
NAVY I



ORANGE U



PERSIAN BLUE J



PLATINUM P



RED L

