

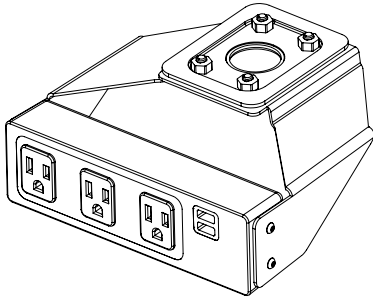


planner studio power strip

x3 120v Outlets / x2 USB

MODEL #: 77248

PLANNER STUDIO POWER STRIP, MODEL 77248

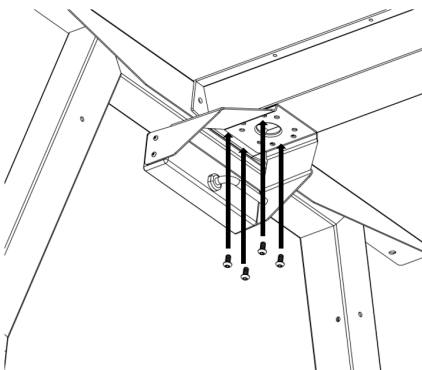


OVERVIEW

Power strip #77248 is designed to be mounted on Planner Studio series tables only. The bracket attaches to the center support channel of our Planner Studio tables. The support channel is also conveniently ported for wire management. When installing the bracket, the 10 foot power cord can be routed through the Planner Studio table and out the other end of the support channel.

The power strip bracket is constructed of powder coated (black) 14 gage steel. The back bracket is powder coated (black) 13 gage steel. The power strip housing is constructed of plastic.

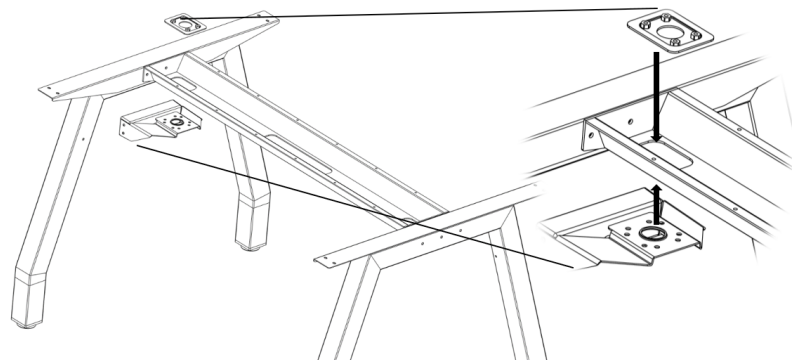
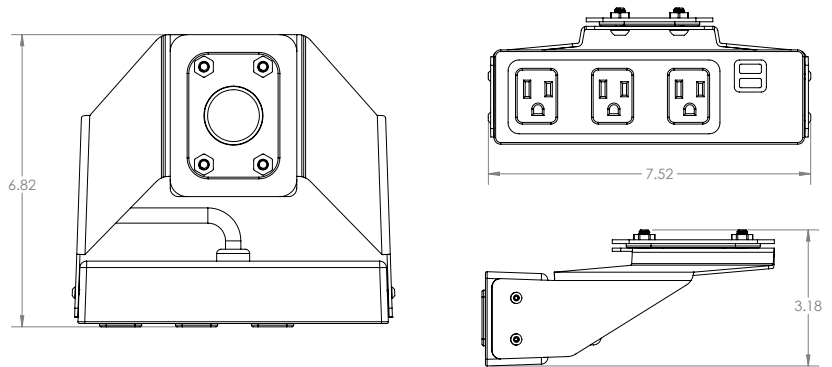
Power comes from 3x 120 volt power outlets as well as 2x 3.1 Amp 5 volt USB ports.



Drawing shows installation mounting location.

DIMENSIONS + FREIGHT

Model	Description	D"	W"	H"	F.C.	Cube	WT
77248	Planner Studio Power Strip	6.82	7.52	3.18	70	1	4
carton dimensions		8	8	4	70	1	5



Mounting bracket is secured inside the center support channel. Power Strip can be mounted in 90° increments.