



**OVERVIEW**

Elemental Student Desks come with a custom leg set that adjusts from 22.5" - 29.5" in 1" increments. Optional casters can be added - height maintains same adjustable range of 22.5" to 29.5".

**MATERIALS**

The 1 1/4" thick work surface consists of a 45 lb density particle board core with a 0.030" high pressure laminated surface and a 0.020" melamine backer sheet. The edge of the tabletop features your choice of a 3/8" bumper t-mold or 4mm t-mold, which is then fastened to the underside of the work surface every 6 to 8 inches to assure a long lasting fit.

Elemental Student Desk leg sets are constructed of 14-gauge steel with a durable powdercoat paint finish in one of five colors. The legs are reinforced by a gusseted, 'spade' shaped, mounting plate. Each one of the 4 legs attach to the pre-drilled holes in the top with 10 #10 x 5/8" screws per leg. Legs come standard with a nylon base glide. When adding the optional caster pack, the leg insert tube is removed and flipped, revealing the caster end of the leg. The adjustability remains the same at 22.5" to 29.5" with either caster or glide installed.

**OPTIONAL CASTERS**



Optional dual-wheel 3" casters available, ordered separately as their own line item.  
Model 17576 (for black 4-pack).  
Model 17577 (for color 4-pack).

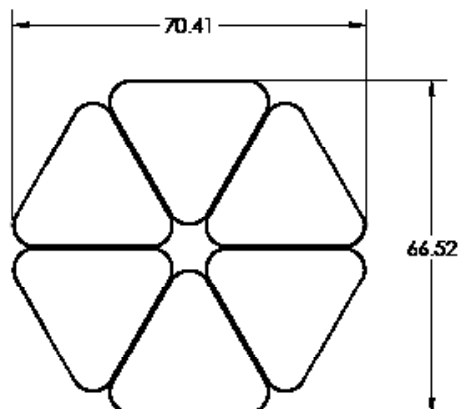
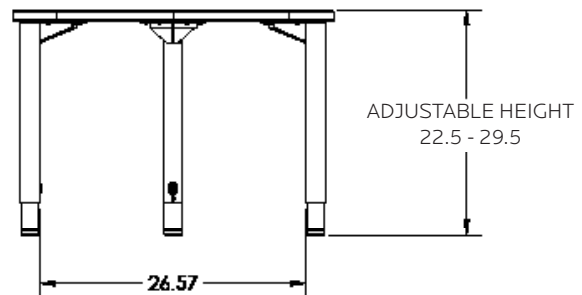
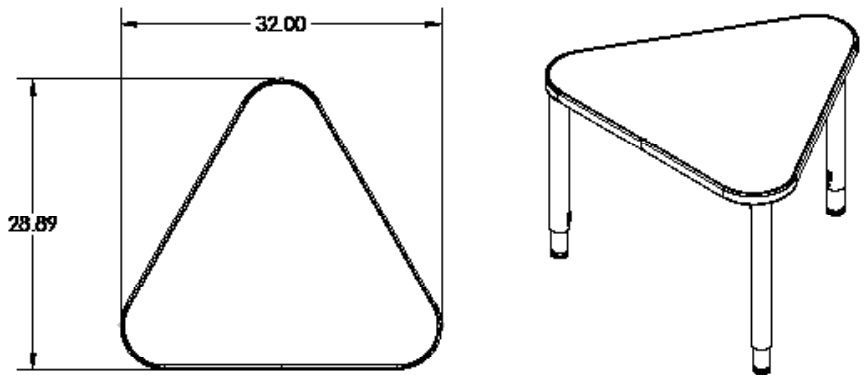
**BUILD PART NUMBER**

EL **T R G L** | **7 8 9** | **10** | **11 12 13** | **E S**

Choose **MODEL** | Pick Laminate Color | Pick Edge Color | Pick Leg Color | Pick Leg Style  
(ES) 22.5" - 29.5" Adjustable Leg - Student Desks.

**DIMENSIONS**

| Model  | Description             | D" | W" | H"        | WT |
|--------|-------------------------|----|----|-----------|----|
| ELTRGL | Elemental Triangle Desk | 29 | 32 | 22.5-29.5 | 46 |



## STANDARD LAMINATE OPTIONS

Want to specify a different laminate?

No problem. If you have 20 or more tops of the same color -60 or -38 there is no upcharge. Have 20 or less? We can quote for you with the Wilsonart code and - finish style. We can specify other laminates - call to inquire and get a quote.

## SUGGESTED SURFACE LAMINATE OPTIONS 7 8 9



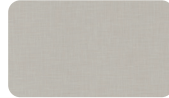
ASIAN NIGHT  
7949-60



BOARDWALK OAK  
7983-60



BUKA BARK  
7982-60



CLASSIC LINEN  
4943-60



FLAX LINEN  
4990-60



FRENCH PEAR  
8220-60



FUSION MAPLE  
7909-60



GREY NEBULA  
4622-60



HIGH RISE  
4996-60



MISSION MAPLE  
7990-60



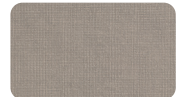
NEW AGE OAK  
7938-60



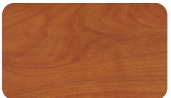
NORTH SEA GRAY  
D90-60



PALISADES OAK  
7987-60



PEWTER MESH  
4878-60



WILD CHERRY  
7054-60

All 15 of the standard laminates are -60 finish, if you need to match a laminate from a previous year, please let us know on your order (example Pewter Mesh 4878-38, our standard is -60).

When the WilsonArt Laminate code includes a "Y", "K", "-12", "-78", "Aeon" etc, these are special laminates with an upcharge, even when it contains -38 or -60.

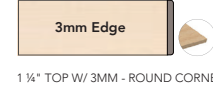
## Top and Edge Options: 1 2

### Standard (EL)

1 1/4" TOP W/ BUMPER T-MOLD  
NO LETTER TO FOLLOW MODEL NO.



1 1/4" TOP W/ 3MM - 90° CORNERS



1 1/4" TOP W/ 4MM T-MOLD



1 1/4" TOP W/ 3MM - ROUND CORNERS



## STANDARD EDGE COLOR OPTIONS 10



APPLE



BLACK



CERULEAN



CHARCOAL



NAVY



PERSIAN BLUE



PLATINUM

## LEG COLOR OPTIONS 11 12 13



PLATINUM



CHARCOAL

## EDGE COLOR OPTIONS WITH ADDITIONAL LEAD TIME 10



BLUEBERRY



BURGUNDY



CHAMPAGNE



FOREST GREEN



ORANGE



PURPLE



RED



YELLOW

## ELEMENTAL LEG STYLE 14 15



ES - Elemental Student Desk Leg: Platinum only.

### LEG STYLE:

- ES - Student Desk Leg Set, 22.5" - 29.5" Adjustability.