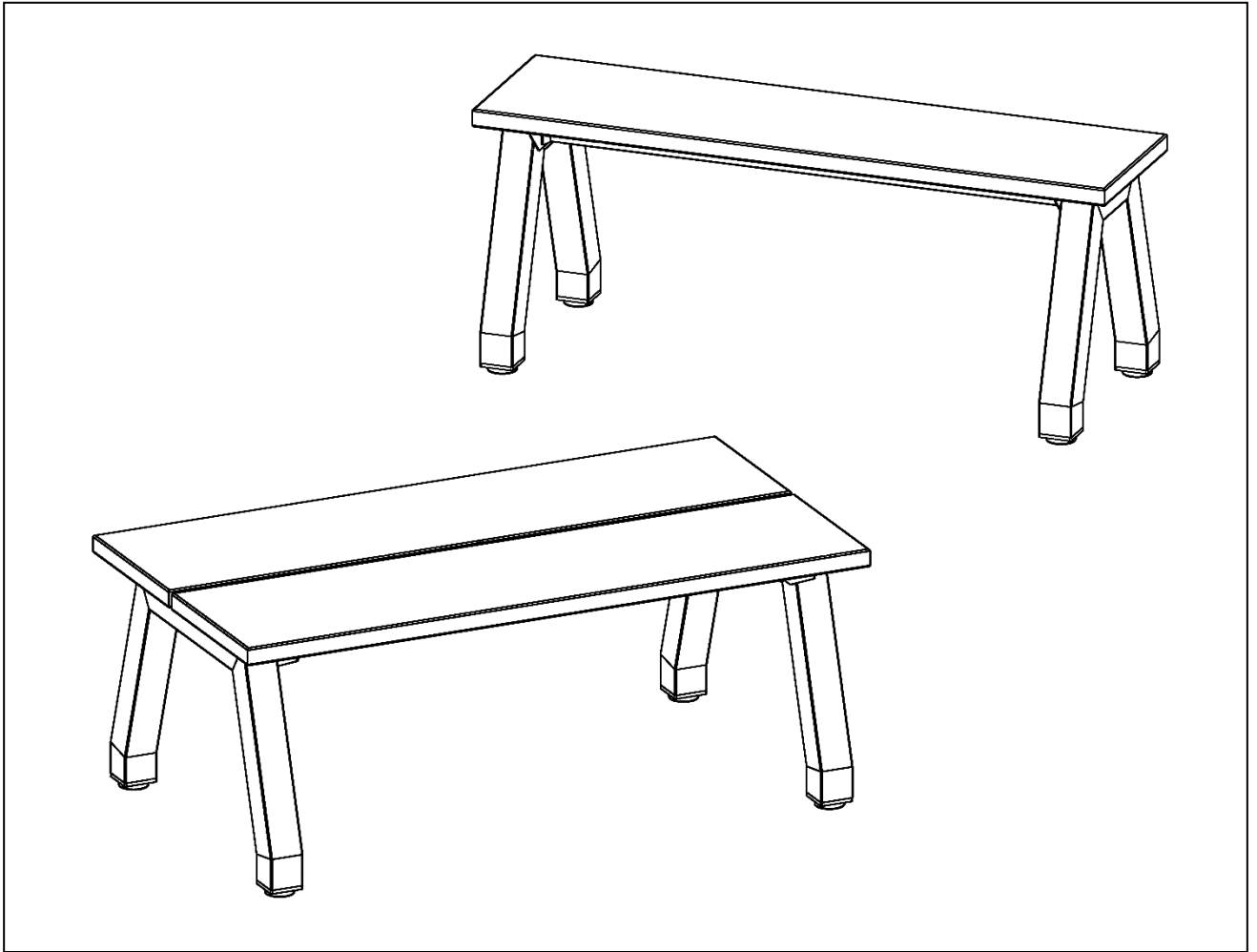


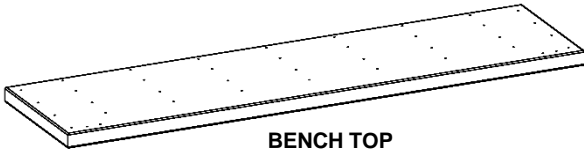
Assembly Instructions

Planner Studio Bench

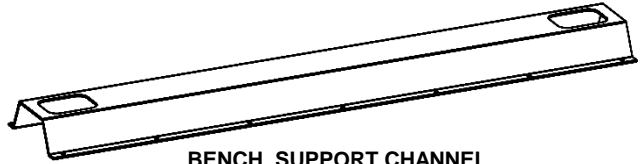


If you have damaged or missing components,
please contact customer service at 1-800-328-1061

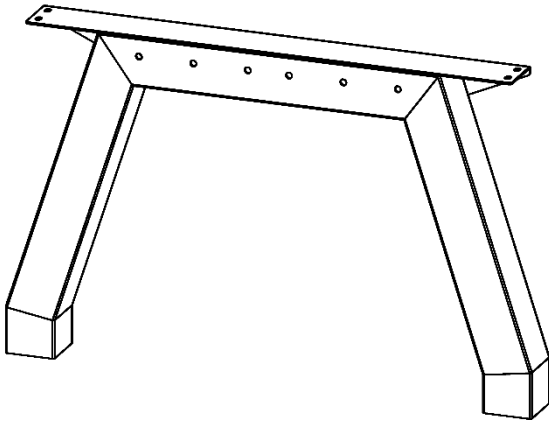
Hardware and Components



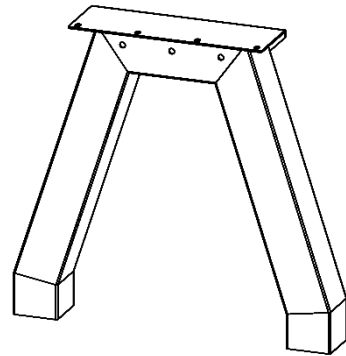
BENCH TOP
12" DEEP: QTY. 1
24" DEEP: QTY. 2



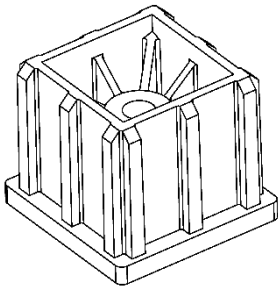
BENCH SUPPORT CHANNEL
12" DEEP: QTY. 1
24" DEEP: QTY. 2



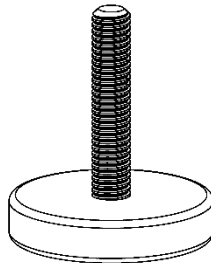
24" DEEP BENCH LEG BASE
QTY. 2



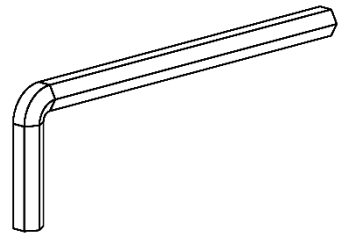
12" DEEP BENCH LEG BASE
QTY. 2



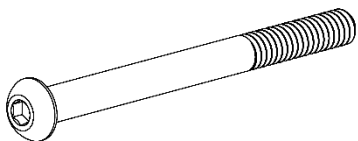
GLIDE INSERT
QTY. 4



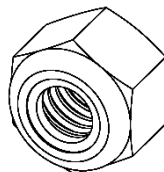
GLIDE
QTY. 4



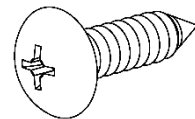
3/16" ALLEN WRENCH
QTY. 1



1/4"-20 X 3" BOLT
12" DEEP: QTY. 6
24" DEEP: QTY. 12



1/4"-20 LOCK NUT
12" DEEP: QTY. 6
24" DEEP: QTY. 12



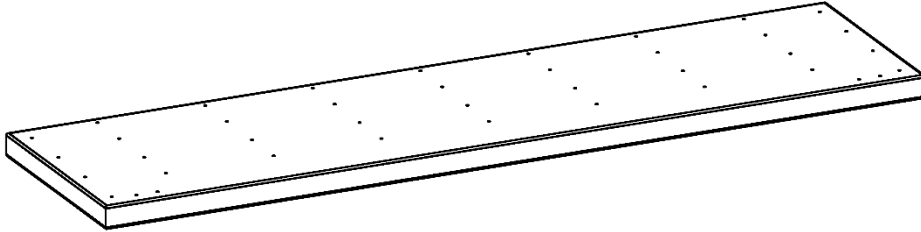
#10 X 3/4" WOOD SCREW
12" DEEP: QTY. 22
24" DEEP: QTY. 36

Special Notes:

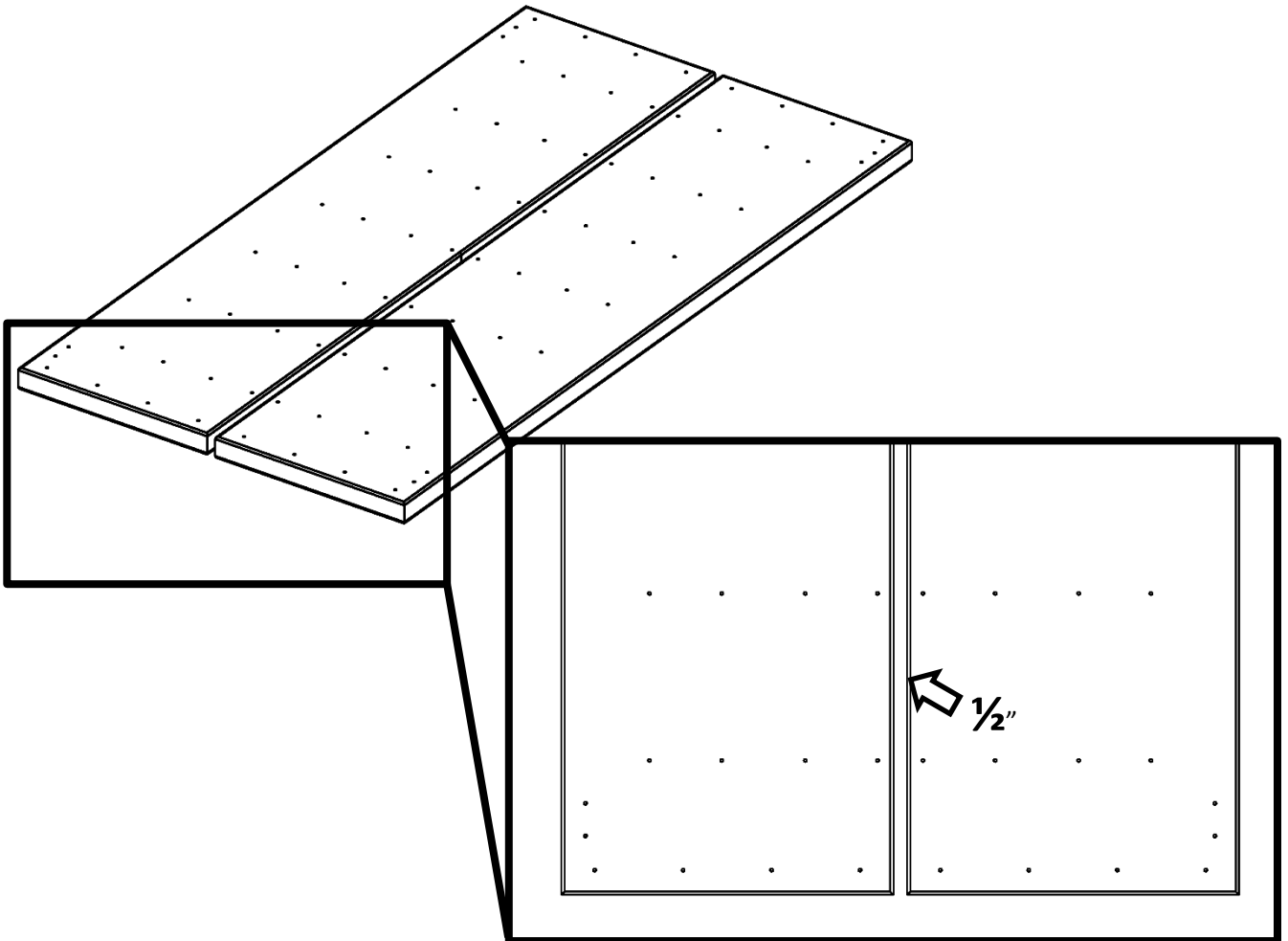
- TOOLS REQUIRED:
 - Drill w/#2 Phillips driver bit, or #2 Phillips head screwdriver.
 - 7/16" socket & ratchet, or 7/16" wrench.
 - Hammer
- Check that all components are accounted for and undamaged before assembling.
- Please assemble the product in a clean and dry area.
- Clean the product with a mild cleaner and a damp cloth.

Assembly Instructions

1. Lay top down on a clean smooth surface that will not harm the top finish. Underside of top should be exposed.



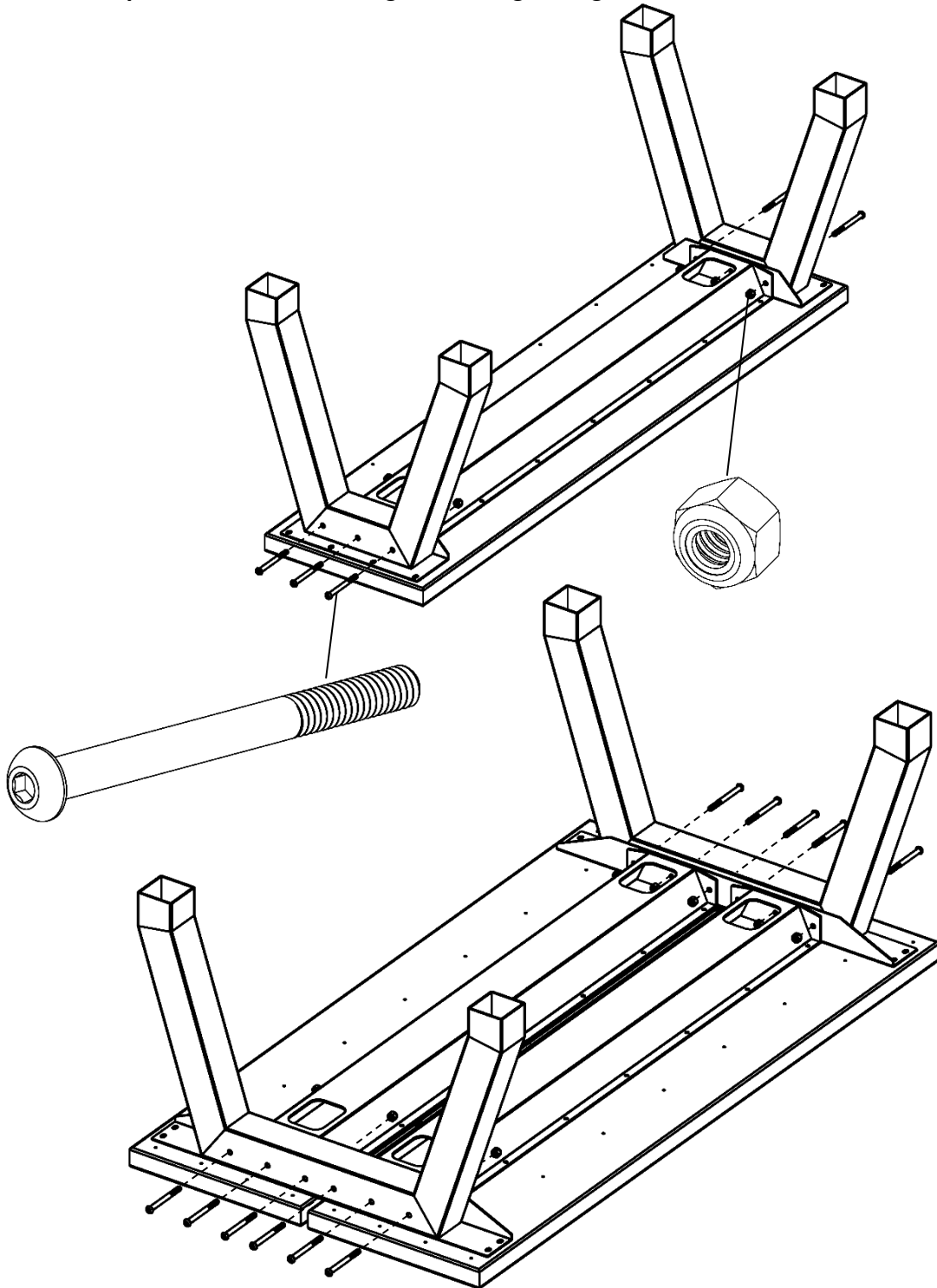
2. For the 24" deep bench, lay both tops down on a clean smooth surface that will not harm the top finish. Underside of tops should be exposed. Arrange tops as shown with pre-drilled holes closest to the edge facing inwards. Leave about 1/2" gap between the tops.



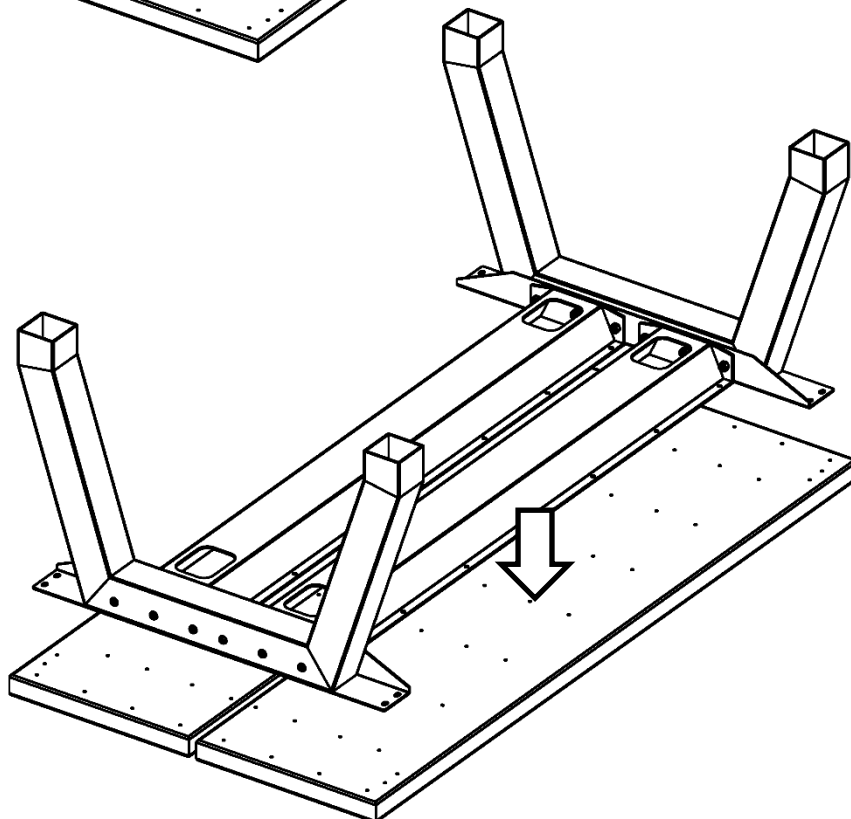
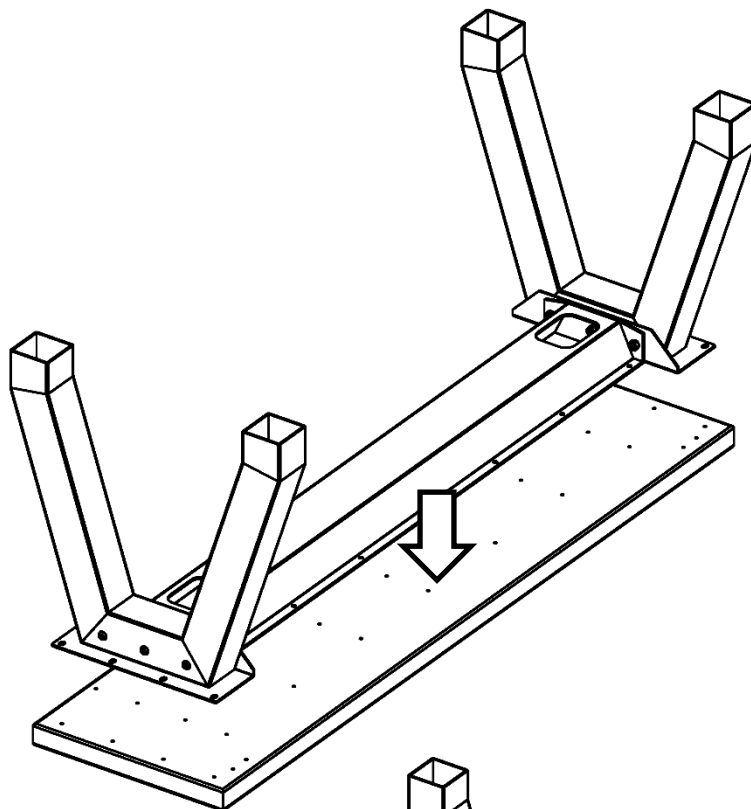
3. Position the support channel(s) onto the top, as shown. Do not attach support channel to top yet. First attach the legs, one at a time, to the support channel(s) by using the supplied 1/4"-20 x 3" bolts and 1/4"-20 lock nuts.

Helpful Hint: The nut goes on the inside; bolt head seen on the outside.

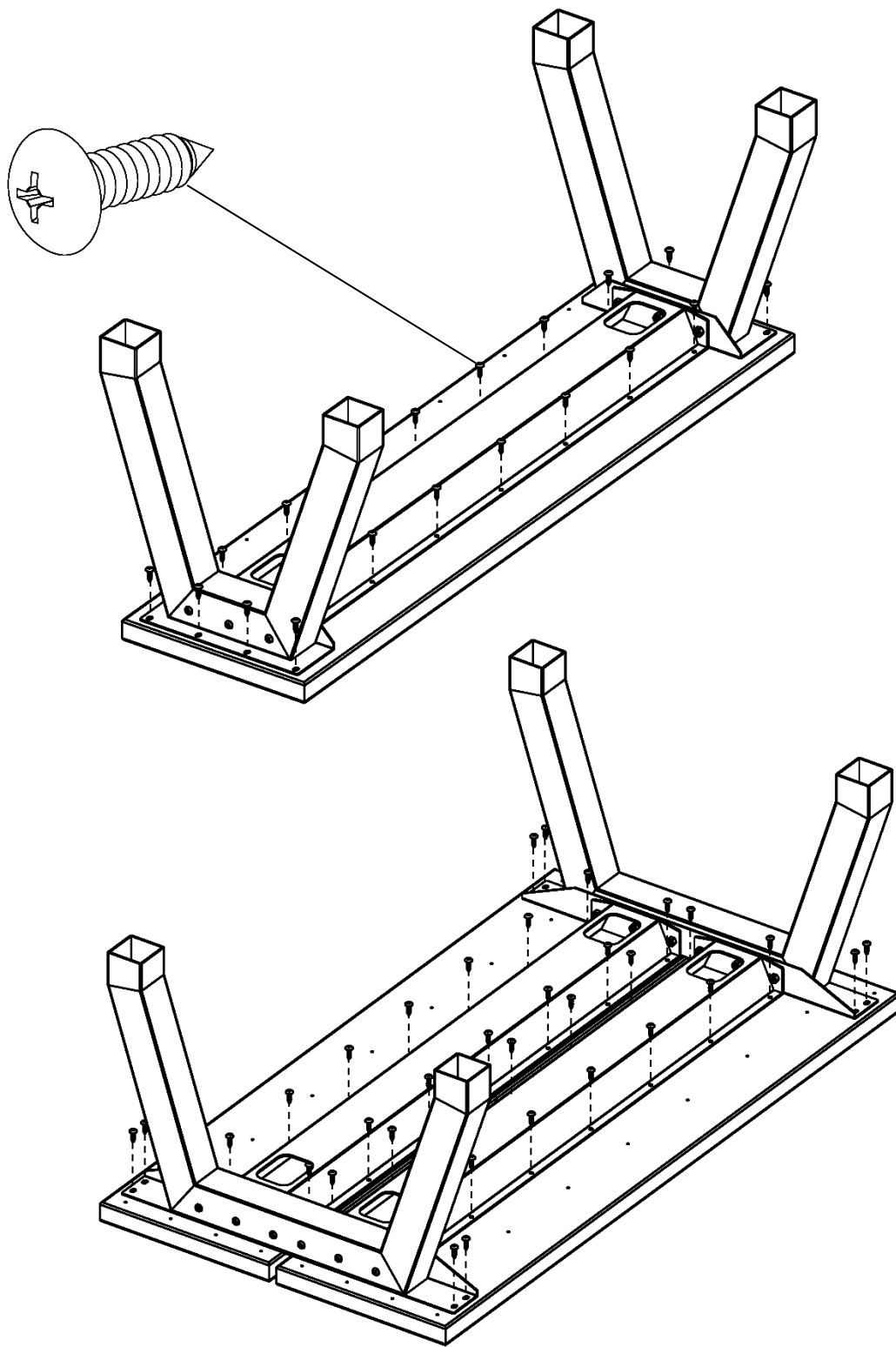
Helpful Hint: Make sure legs are facing the right direction, as shown.



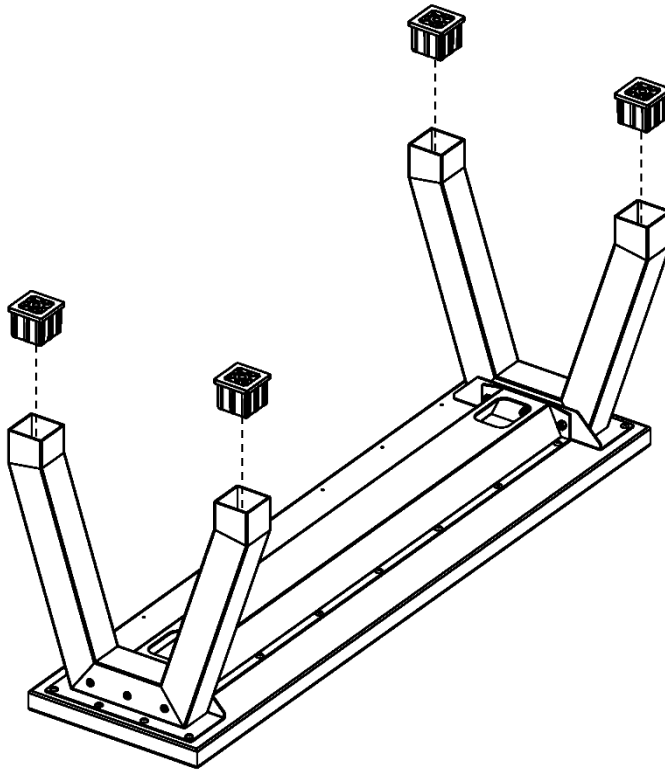
4. Lay assembled frame on top and line up holes on frame with the hole pattern on the top.



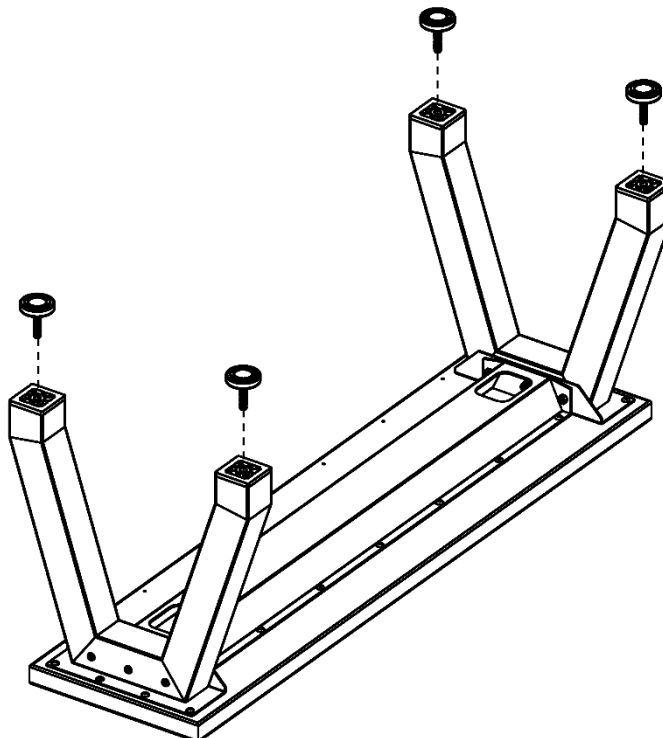
5. Attach the frame to the wood top using #10 x 3/4" wood screws.



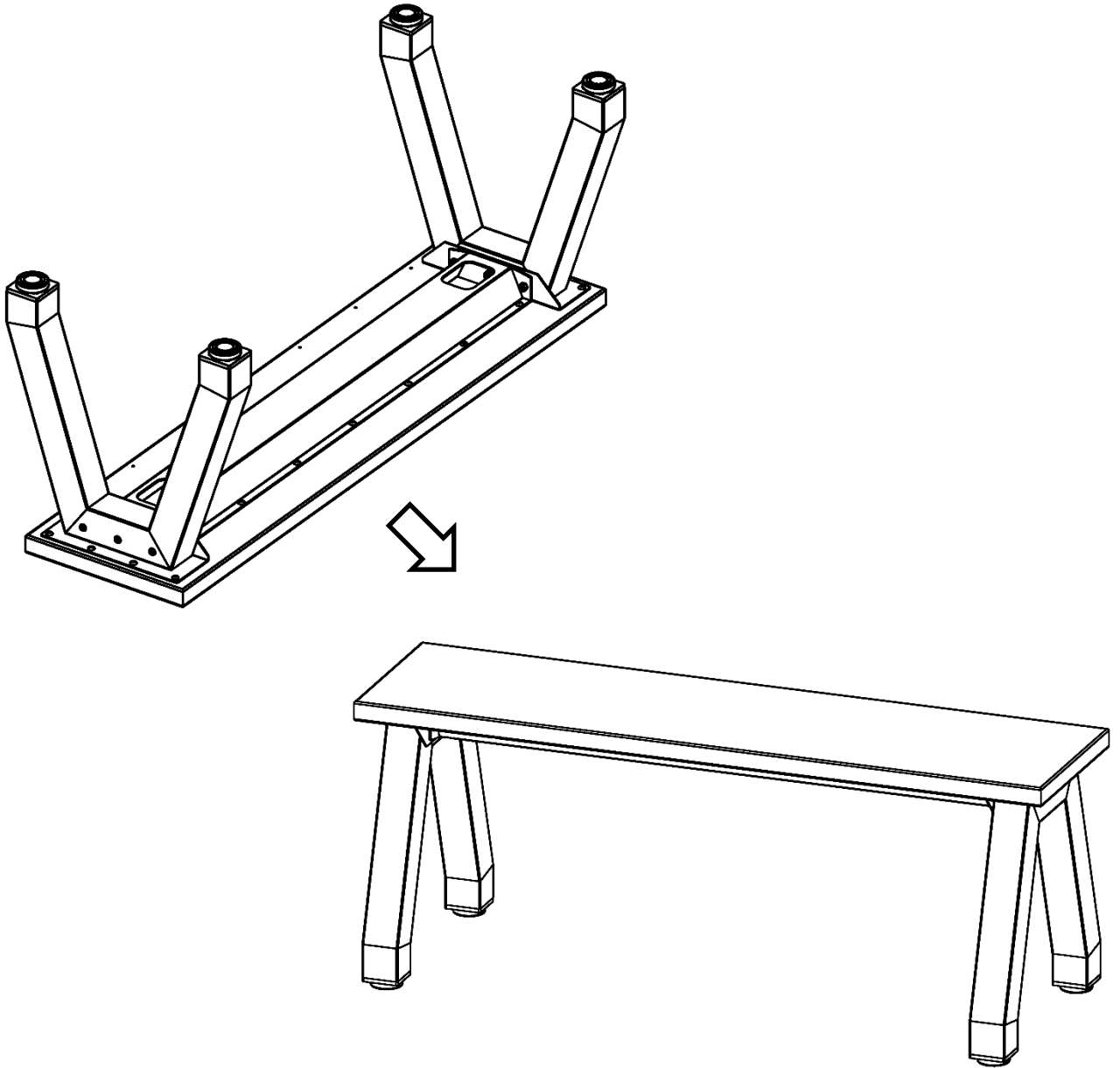
6. Hammer in glide inserts into the legs. Make sure to carefully trim off any excess plastic between the edge of the leg and glide insert.



7. Install glides by screwing them into the glide inserts.



8. Flip bench over.



ASSEMBLY COMPLETE