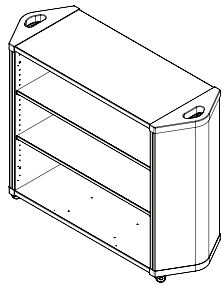




Flowform® Mobile Storage

Straight Unit with Shelves

MODEL #: 57AAAA00000_ _ _ _ _



OVERVIEW

Flowform® Mobile Storage offers a new approach to organization in the classroom. The units are equipped with either totes or shelves and can be adjusted and configured in a variety of ways.

MATERIALS

The END PANELS are a 16-gauge steel interior shell, wrapped in a cushioned vinyl exterior. The tubular steel sub-frame is constructed of 14-gauge steel, which supplies the unit solid construction. The end panels are capped off with a plastic handle that is color matched to the vinyl of your choosing.

The unit's horizontal top SURFACE is a 1.25" thick while the vertical surfaces are 0.75" thick -- both consisting of a 45 lb density particle board core with a .030" high pressure laminated surface and a .020" melamine backer sheet. The edge of the work surface features an ABS plastic 3mm flat self edge which matches the work surface laminate.

Shelves are adjustable in 1.25" increments.

LAMINATE & MATCHING 3MM EDGE



FRENCH PEAR
FPR

MISSION MAPLE
MIM

NORTH SEA GRAY
NOS



DESIGNTEX

FABRIC & MATCHING CAP COLORS:

Fabric available in 5 colors from Designtex Vinyl: Apricot, Fog, Iron, Pistachio, and Mediterranean



APRICOT
APR



FOG
FGO



IRON
ION



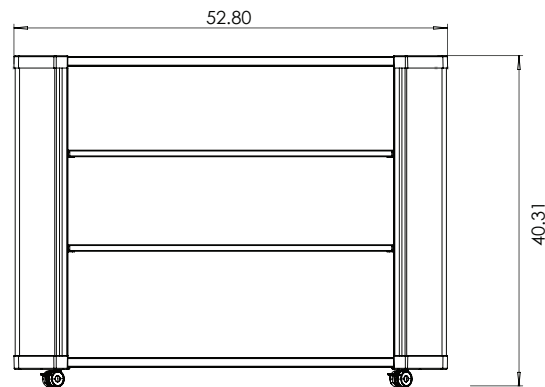
PISTACHIO
PIO



MEDITERRANEAN
MDT

DIMENSIONS + FREIGHT

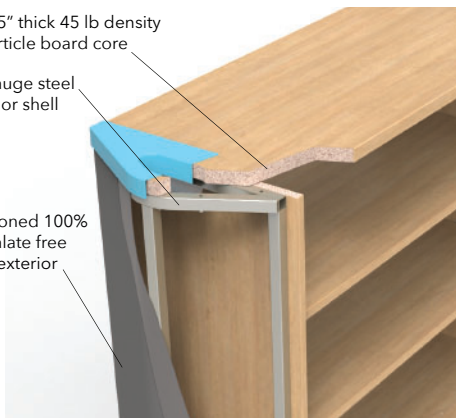
Model	Description	D"	W"	H"	F.C.	Cube	WT
57BAA00000	Shelves/WITH Back Panel	19	53	40			261
	shipping dimensions	26	60	46	70	78	261
57AAA00000	Shelves/NO Back Panel	19	53	40			231
	shipping dimensions	26	60	46	70	78	231



1.25" thick 45 lb density particle board core

16-gauge steel interior shell

cushioned 100% phthalate free vinyl exterior



WHITEBOARD BACK AVAILABLE!

57BBAA00000 comes with Whiteboard Back Panel. 57BAAA00000 comes without a Back Panel.

The optional magnetic whiteboard back panel is not needed to increase rigidity. When no back panel is installed, the unit has a pass through design for access from both sides.