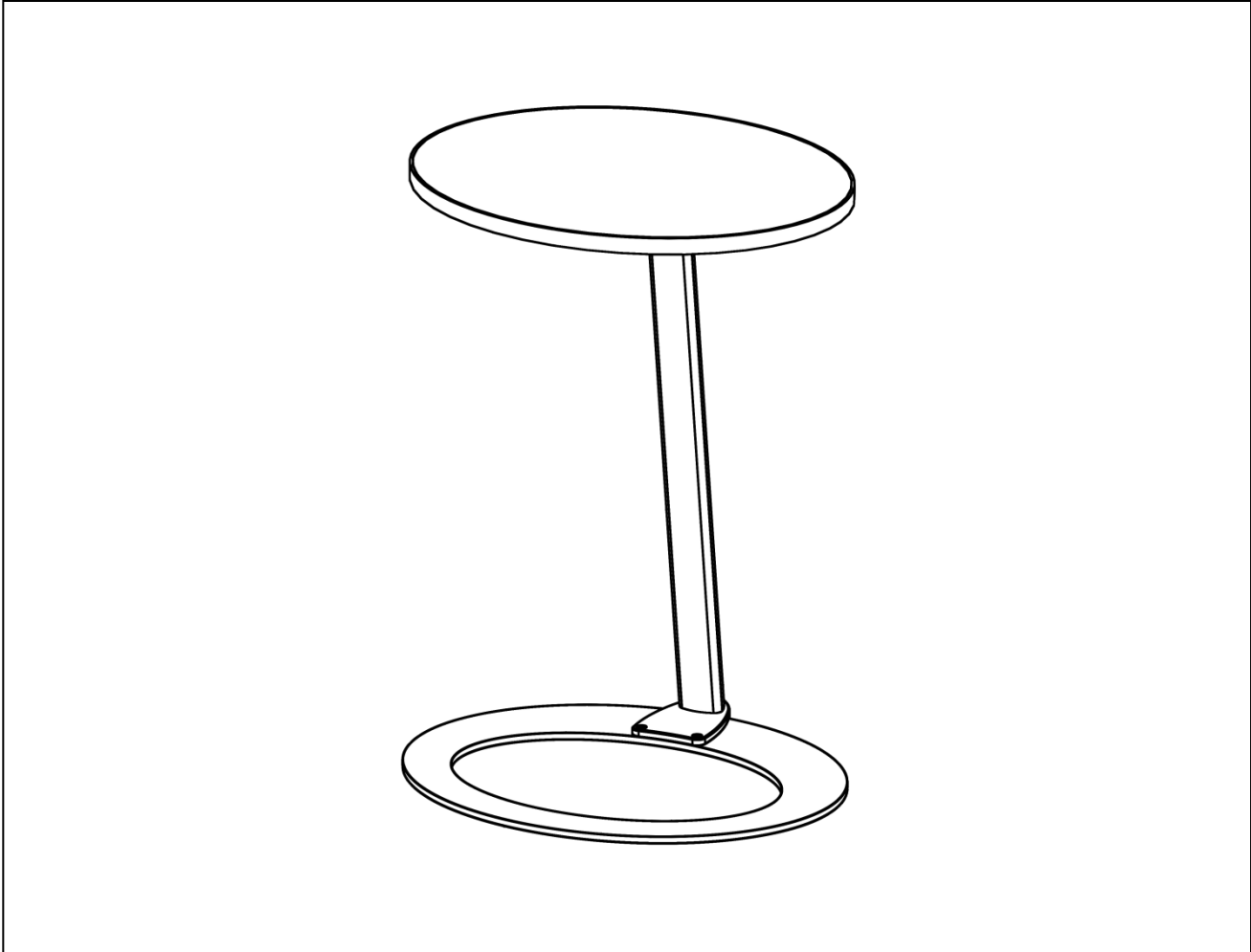


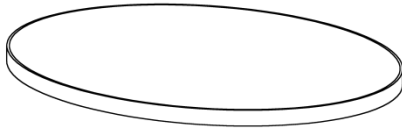
Assembly Instructions

Flowform Pedestal Table

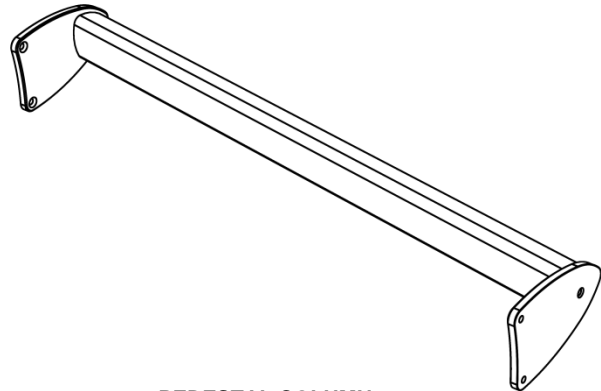


If you have damaged or missing components,
please contact customer service at 1-800-328-1061

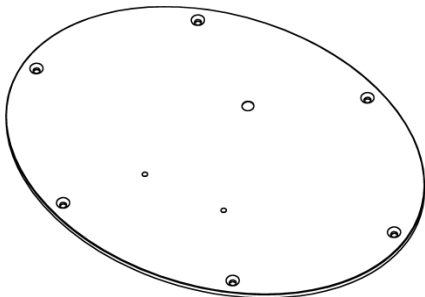
Hardware and Components



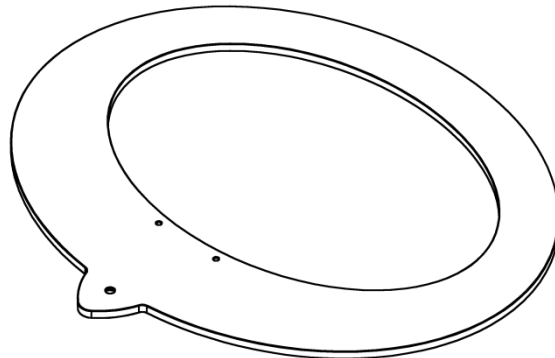
PEDESTAL TOP
(PN: 70017)
QTY. 1



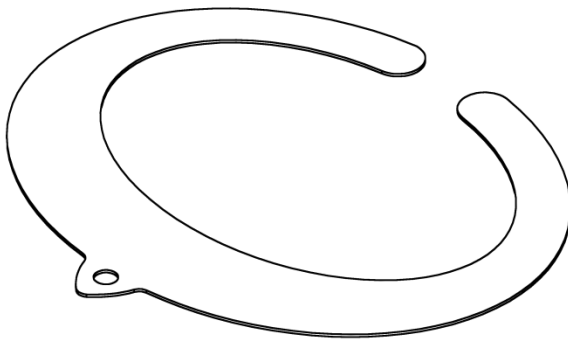
PEDESTAL COLUMN
(PN: 60015)
QTY. 1



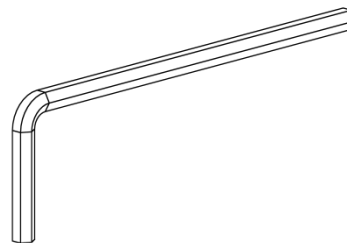
PEDESTAL TOP MOUNT
(PN: 60014)
QTY. 2



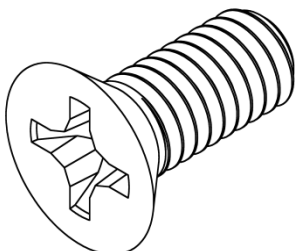
PEDESTAL BASE
(PN: 60014)
QTY. 1



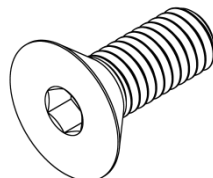
PEDESTAL FELT
(PN: 60016)
QTY. 1



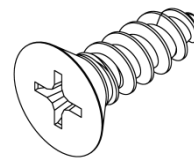
1/8" ALLEN WRENCH
QTY. 1



**5/16"-18 X 3/4" FLAT-HEAD
BOLT**
QTY. 2



**#10-32 X 1/2" FLAT-HEAD
BOLT**
QTY. 4



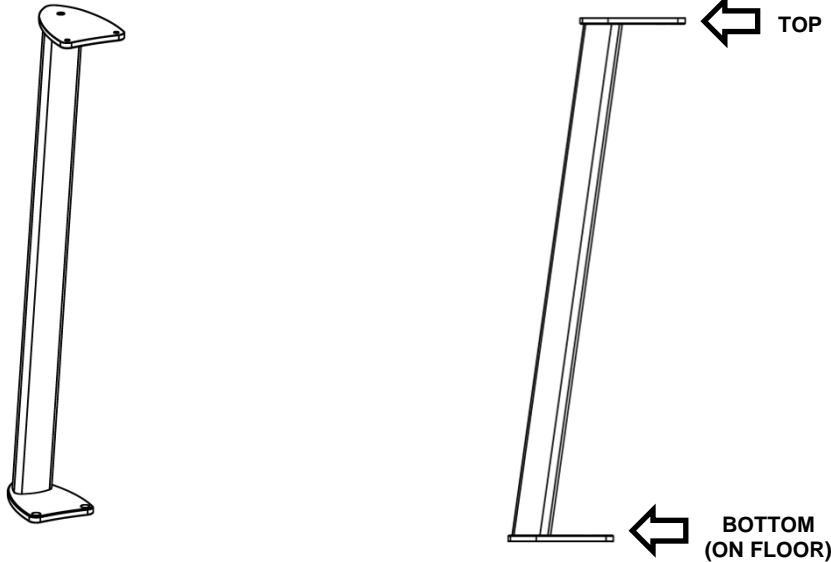
**#10 X 5/8" FLAT-HEAD
WOOD SCREW**
QTY. 6

Special Notes:

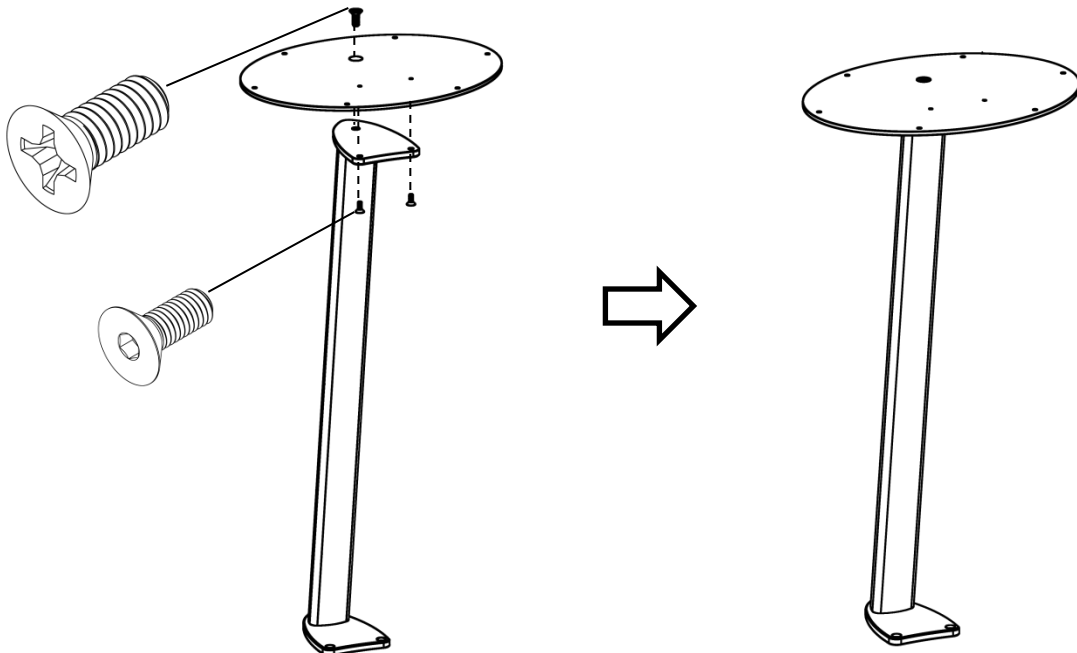
- TOOLS REQUIRED:
 - Drill w/#2 Phillips driver bit, or #2 Phillips head screwdriver.
- OPTIONAL TOOLS:
 - Drill w/#3 Phillips driver bit, or #3 Phillips head screwdriver.
- Check that all components are accounted for and undamaged before assembling.
- Please assemble the product in a clean and dry area.
- Clean the product with a mild cleaner and a damp cloth.

Assembly Instructions

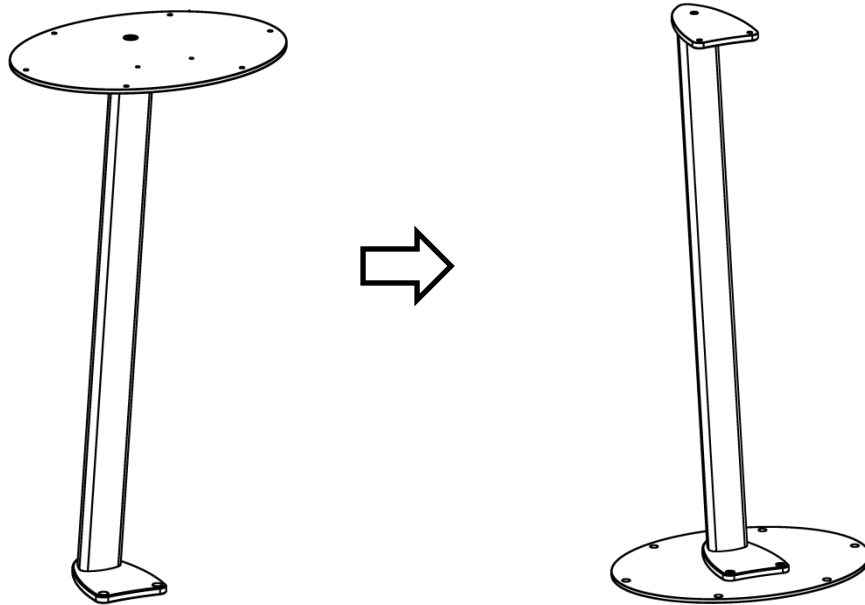
1. Place column standing up on a clean smooth surface that will not harm the paint finish. The column should be in this position.



2. Position the top mount plate onto the top of the column as shown, lining up the three screw holes. First, install the 5/16"-18 x 3/4" Flat-Head Bolt into the top mount plate and the top of the column, but do not fully tighten it yet. Then install the two #10-32 x 1/2" Flat-Head Bolts from the underside of the column to the top mount plate. Now tighten all bolts to secure the top mount plate.



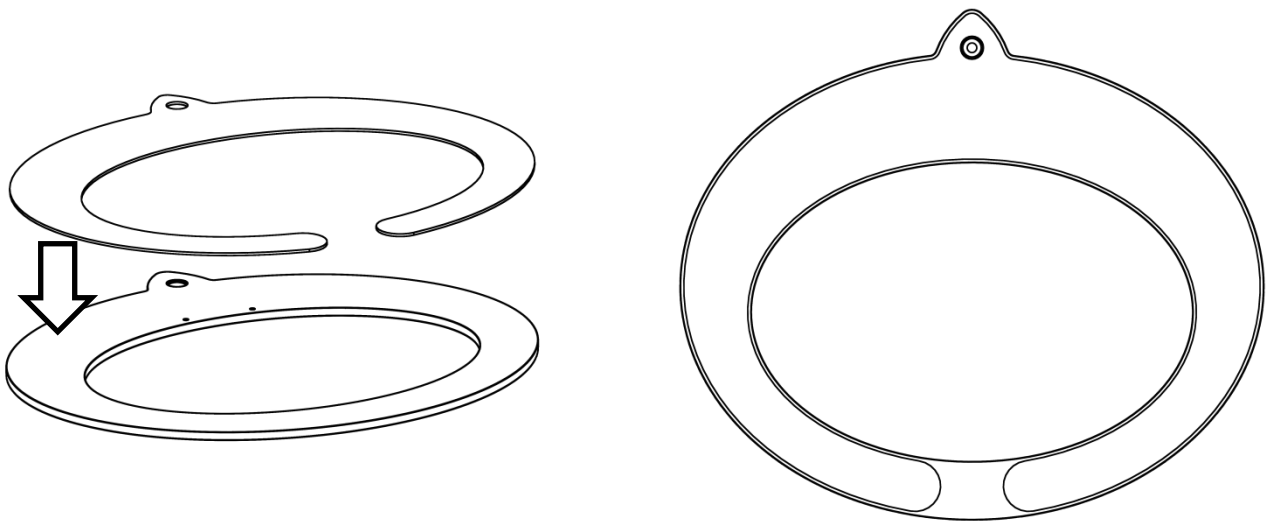
3. Flip the column over so that it is resting on the top mount plate.



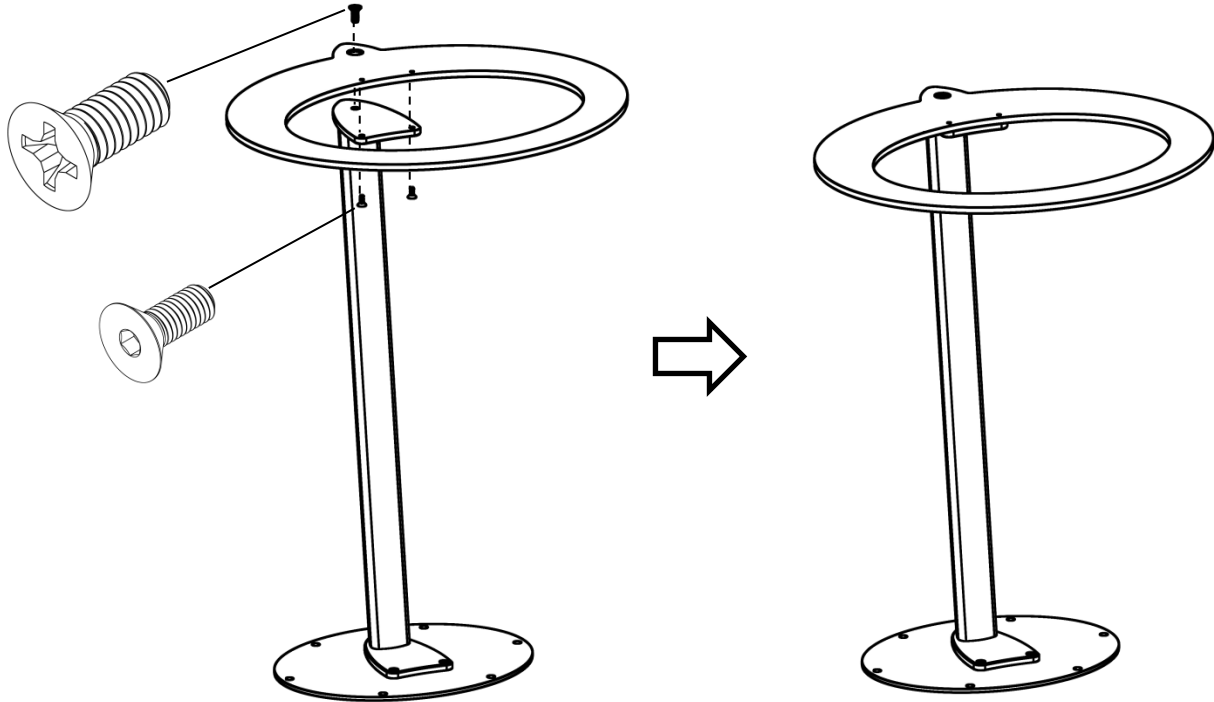
4. **OPTIONAL:** Place base with bottom side facing up (this side has a large hole with countersink for the 5/16"-18 x 3/4" Flat-Head Bolt. Peel off paper backing to felt and attach the felt to the bottom side of the base. Felt should have an 1/8" gap from the edge of the base all the way around.

Helpful Hint: Peel off part of the backing of felt at the triangular piece and stick to base. Pull off the backing on one side completely and attach it to the base carefully. Then do the same on the other side.

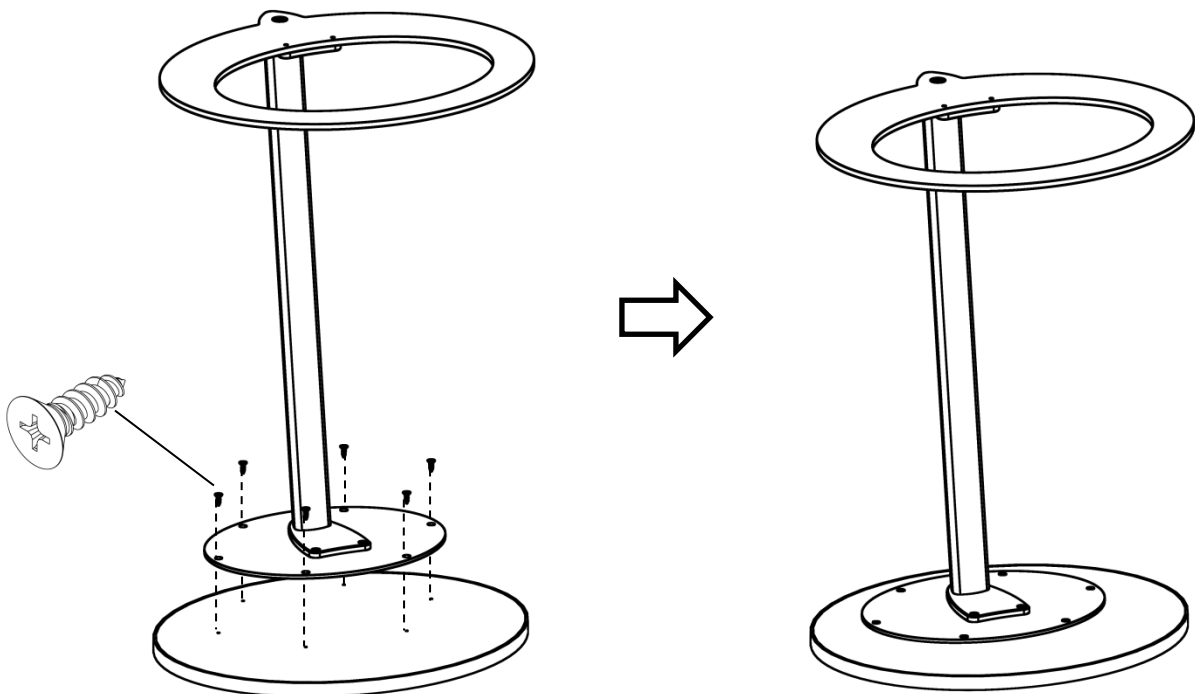
Helpful Hint: Do this step if you will be using the table on a hard surface such as wood flooring. The felt is not recommended to be used on carpet.



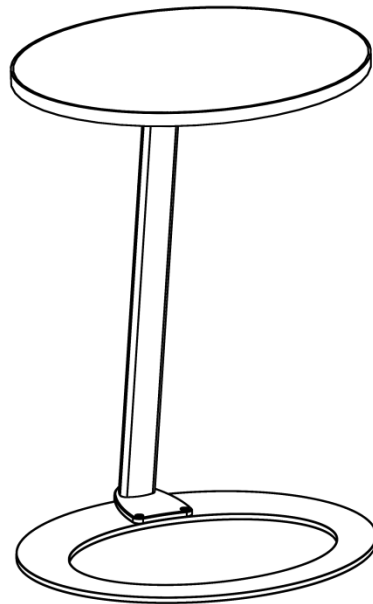
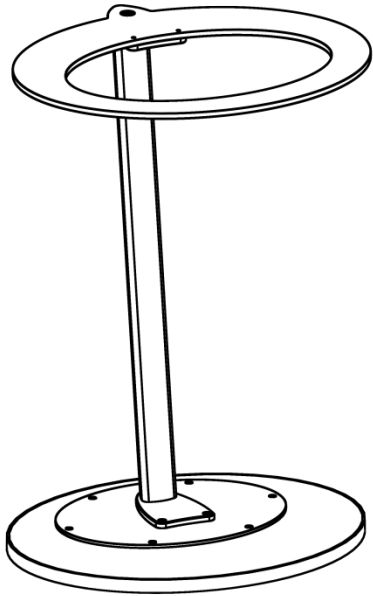
5. Position the base onto the bottom of the column as shown, lining up the three screw holes. First, install the 5/16"-18 x 3/4" Flat-Head Bolt into the base and the bottom of the column, but do not fully tighten it yet. Then install the two #10-32 x 1/2" Flat-Head Bolts from the underside of the column to the base. Now tighten all bolts to secure the base.



6. Place wood top on clean smooth surface upside down with the pilot holes facing up. Place top mount plate on top and line up the holes. Install #10 x 5/8" Flat-Head Wood Screws through the top mount plate into the wood top.



7. Flip table over.



ASSEMBLY COMPLETE