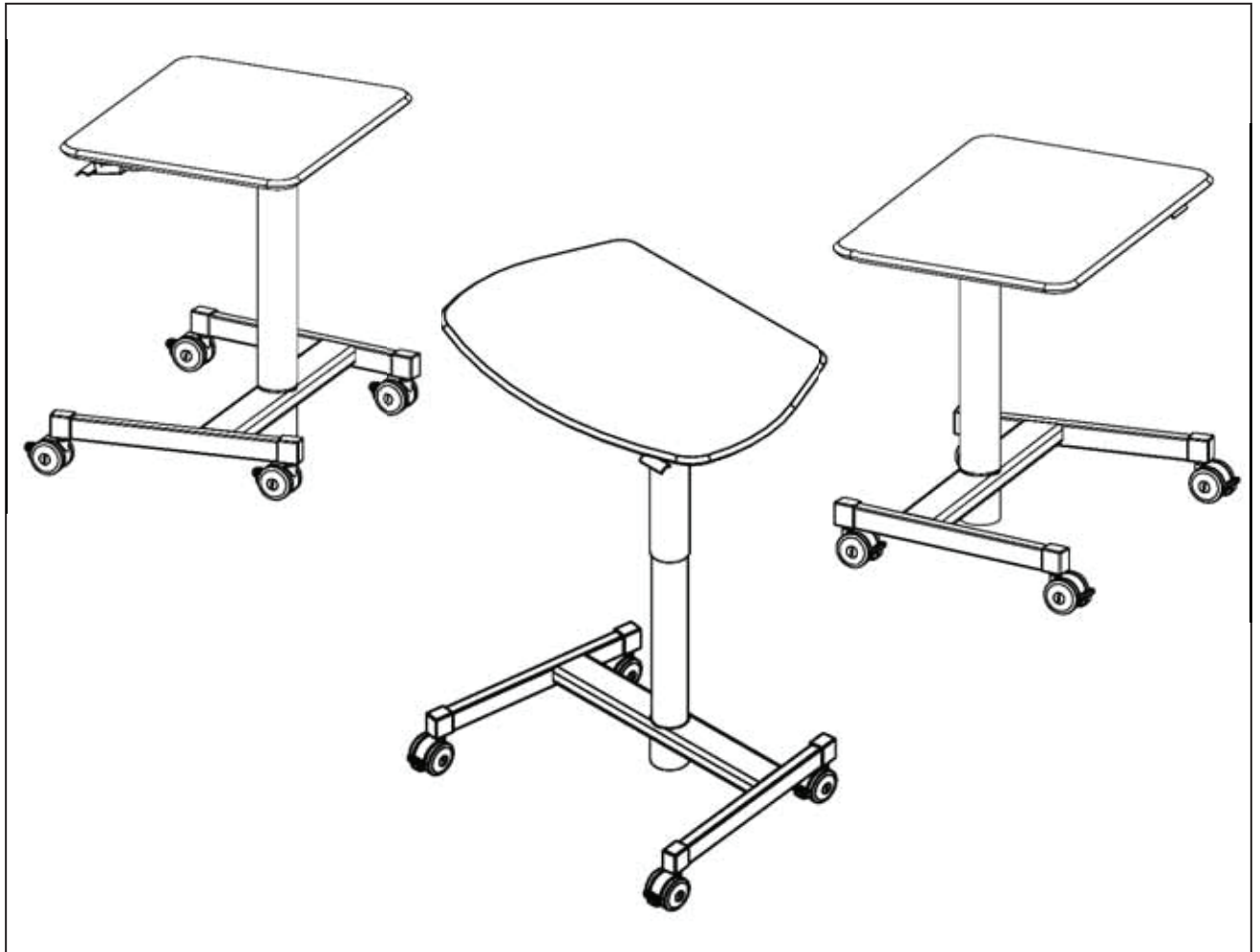


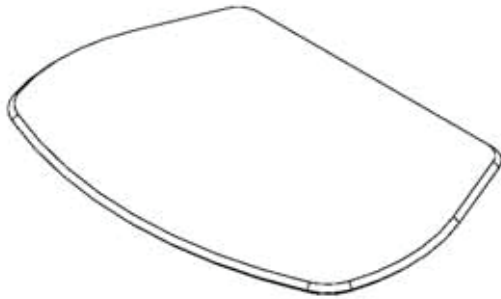
Assembly Instructions

Silhouette Sit-Stand Desk

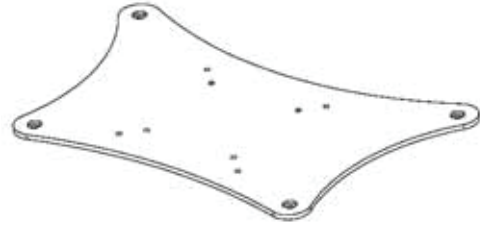


If you have damaged or missing components,
please contact customer service at 1-800-328-1061

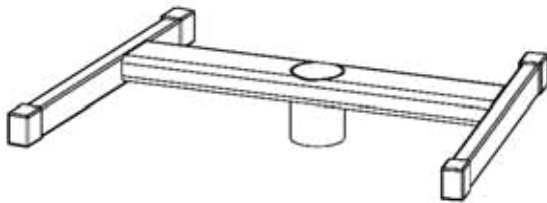
Hardware and Components



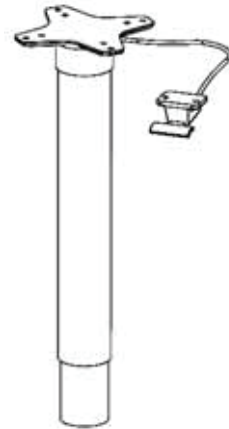
SIT-STAND DESK TOP
(TOP FOR 01631 SHOWN)
QTY. 1



BUTTERFLY PLATE
(PN: 60058)
QTY. 1



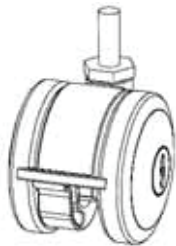
SIT-STAND BASE
(PN: 60058)
QTY. 1



SIT-STAND COLUMN
(PN: 60060)
QTY. 1



CASTER WRENCH
(PN: 17576)
QTY. 1



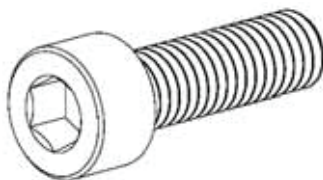
CASTER
(PN: 17576)
QTY. 4



PLASTIC LOOP CLAMP
(PN: 60059)
QTY. 2



5MM ALLEN WRENCH
(PN: 60059)
QTY. 1



M6 X 1.0MM X 20MM
SOCKET HEAD BOLT
(PN: 60059)
QTY. 3



M6 X 1.0MM X 10MM
SOCKET HEAD BOLT
(PN: 60059)
QTY. 8



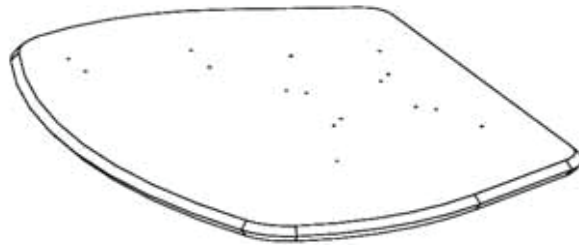
#10 X 5/8" PAN HEAD
WOOD SCREW
(PN: 60059)
QTY. 8

Special Notes:

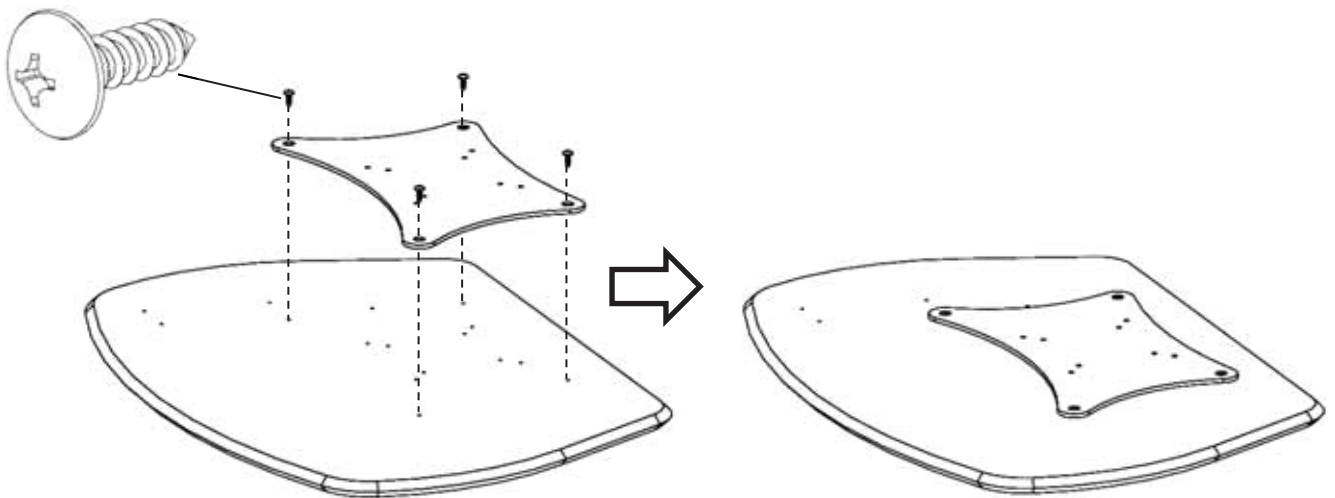
- TOOLS REQUIRED:
 - Drill w/#2 Phillips driver bit, or #2 Phillips head screwdriver.
- OPTIONAL TOOLS:
 - Drill w/5mm hex driver bit.
- Check that all components are accounted for and undamaged before assembling.
- Please assemble the product in a clean and dry area.
- Clean the product with a mild cleaner and a damp cloth.

Assembly Instructions

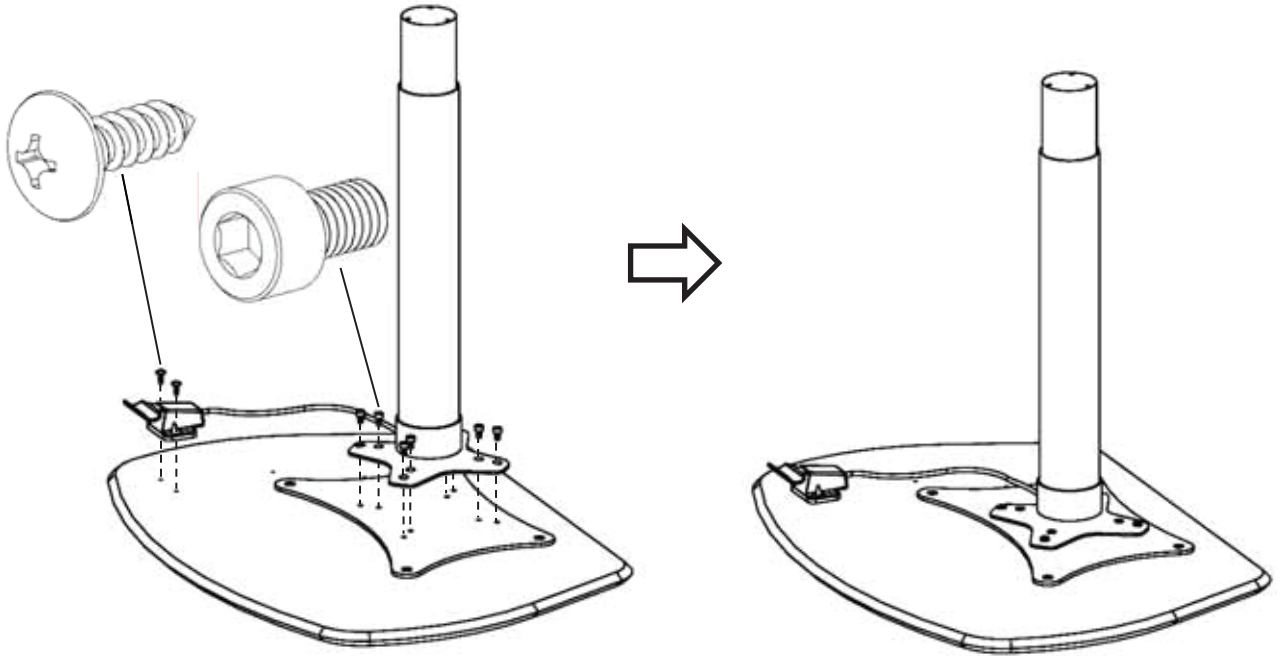
1. Place wood top on clean smooth surface upside down with the pilot holes facing up.



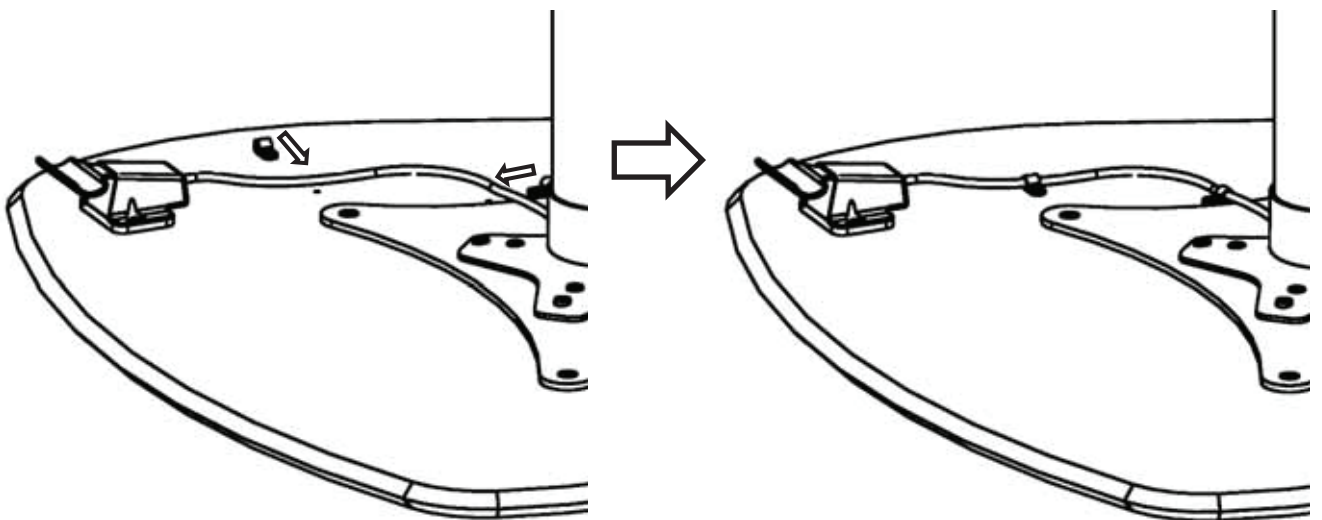
2. Position the butterfly plate, with the counterbored holes facing up, to line up with the pilot holes in the top as shown. Install the four #10 x 5/8" Wood Screws to secure the plate to the top.



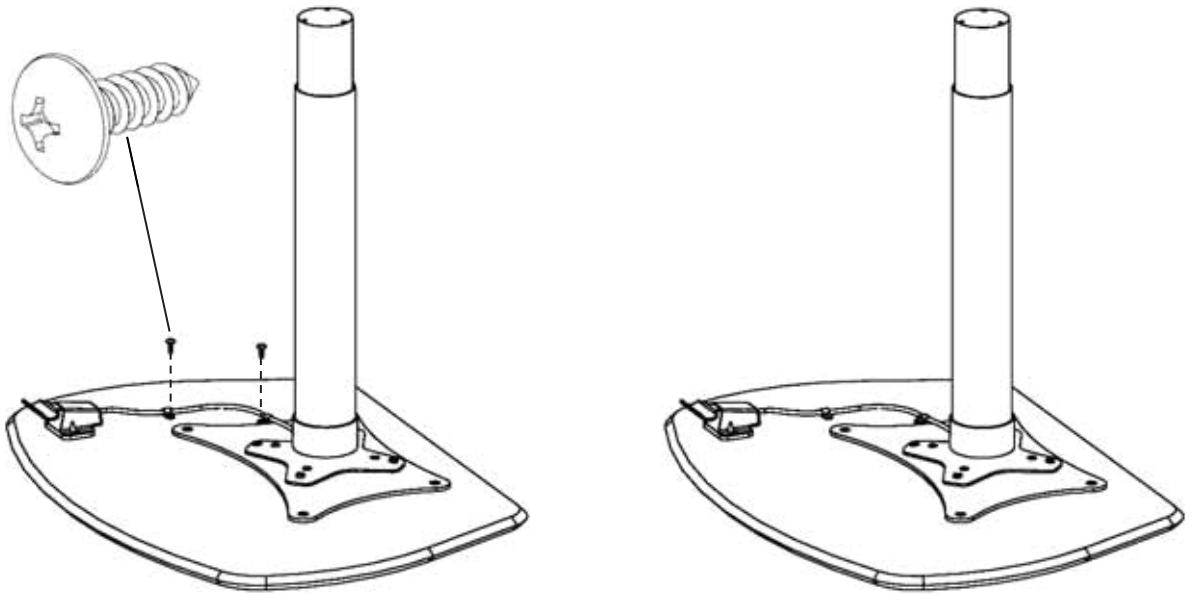
3. Position the column over the butterfly plate so that the eight holes line up. Make sure that the activation cable is coming out of the side of the column as shown. Secure the column to the butterfly plate using the eight M6 x 10mm Socket Head Bolts with the 5mm Allen Wrench provided or with an optional drill with 5mm hex driver bit. Line up the activation handle with the two holes on the top and secure it with two #10 x 5/8" Wood Screws.



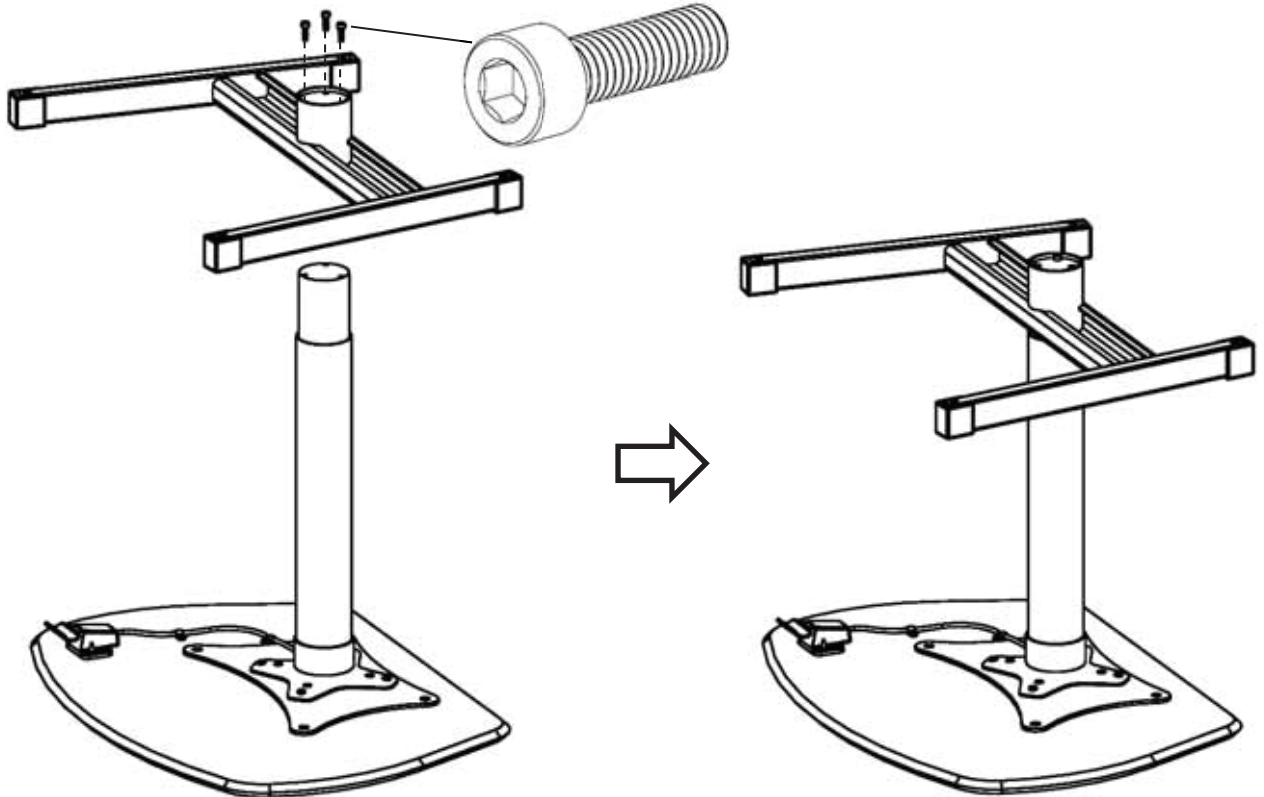
4. Place the two Plastic Loop Clamps on the cable by opening the split side and sliding it over the cable. Place them along the cable near the two holes in the top.



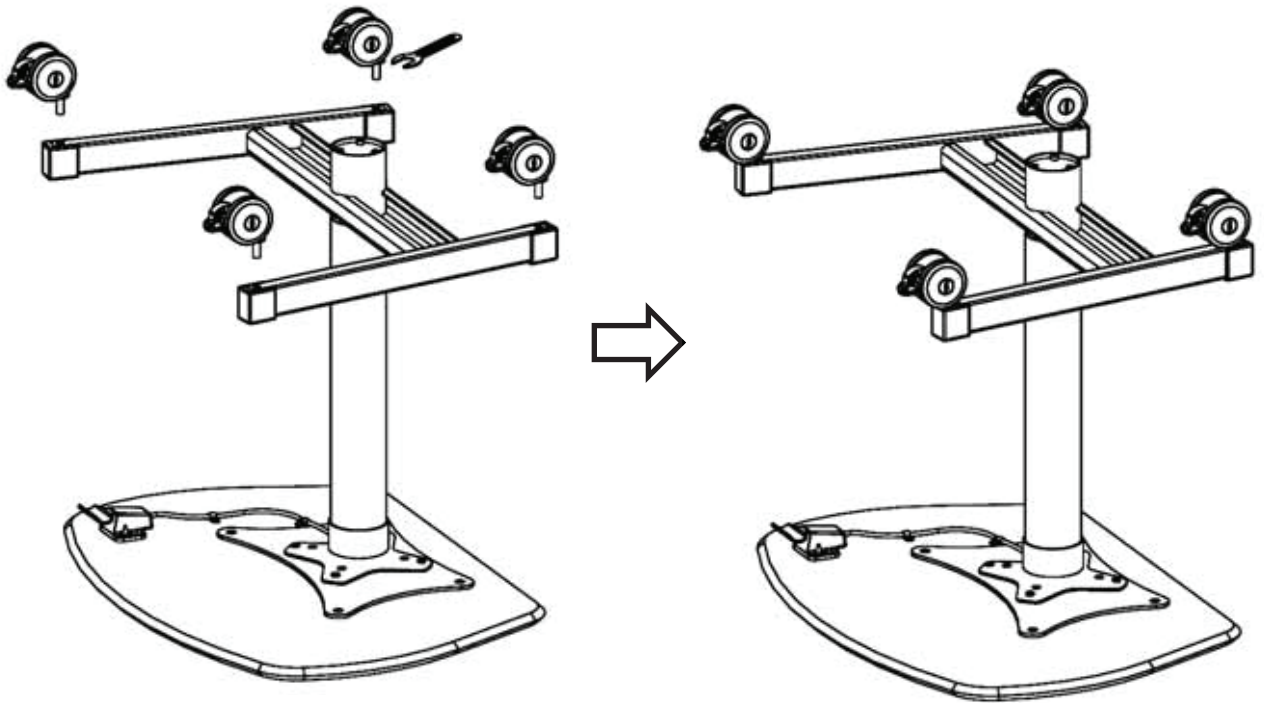
5. Secure the two Plastic Loop Clamps to the top by installing two #10 x 5/8" Wood Screws.



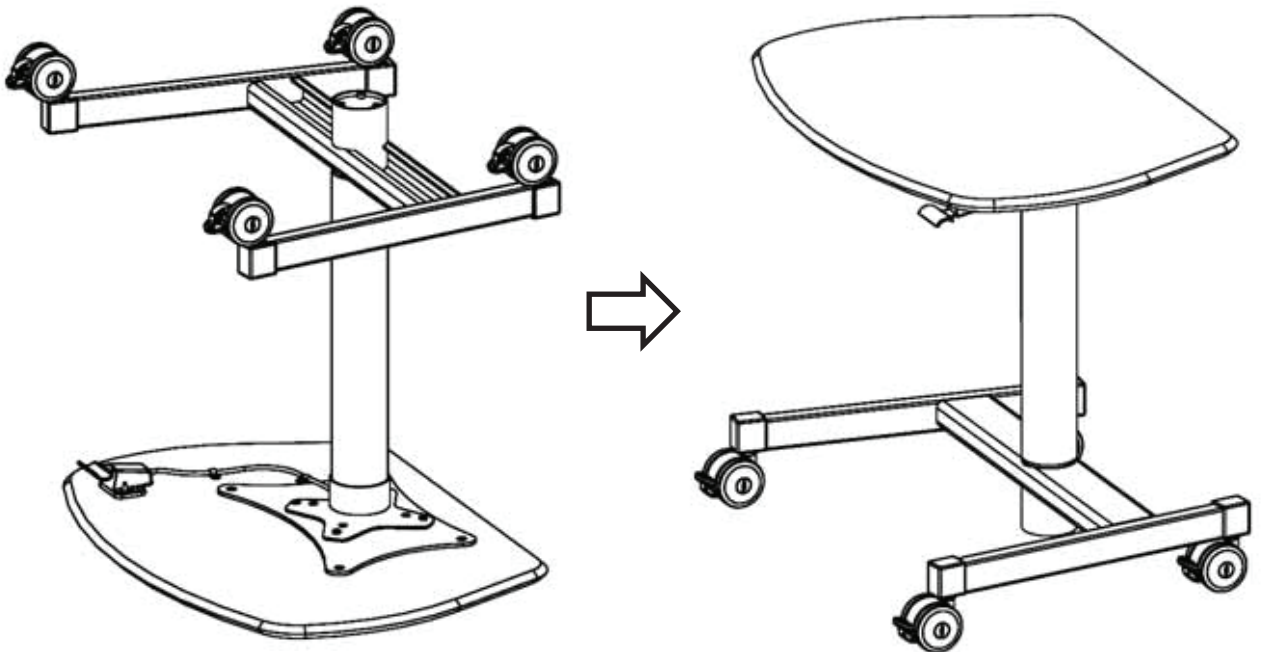
6. Insert the base onto the column making sure the longer legs face the edge of the table with the activation handle and that the three holes on the base line up with the three holes on the column. Secure the base to the column using the three M6 x 20mm Socket Head Bolts with the 5mm Allen Wrench provided or with an optional drill with 5mm hex driver bit.



7. Install the four casters into each end of the base using the caster wrench provided.



8. Flip the Sit-Stand Desk over.



ASSEMBLY COMPLETE