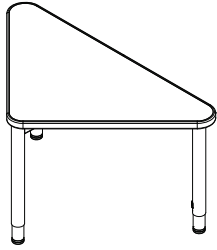




# Elemental Wing Desk

single-student desk

MODEL #: ELWING\_ \_ \_ \_ PLTES



## OVERVIEW

Elemental Student Desks come with a custom leg set that adjusts from 22.5" - 29.5" in 1" increments. The leg set is available in Platinum only. Optional casters can be added - height maintains same adjustable range of 22.5" to 29.5".

## MATERIALS

The 1 1/4" thick WORK SURFACE consists of a 45 lb density particle board core with a 0.030" high pressure laminated surface and a 0.020" melamine backer sheet. The edge of the tabletop features your choice of a 3/8" bumper t-mold or 4mm t-mold, which is then fastened to the underside of the work surface every 6 to 8 inches to assure a long lasting fit. We also offer a 3mm edge banding.

Elemental Student Desk LEG SETS are constructed of 14-gauge steel with a durable powdercoat paint finish in one of five colors. The legs are reinforced by a gusseted, 'spade' shaped, mounting plate. Each one of the 4 legs attach to the pre-drilled holes in the top with 10 #10 x 5/8" screws per leg. Legs come standard with a nylon base glide. When adding the optional caster pack, the leg insert tube is removed and flipped, revealing the caster end of the leg. The adjustability remains the same at 22.5" to 29.5" with either caster or glide installed.

## ADD COLORED CASTERS Model 17577 \_ \_ \_ (4-pack)



\* REMINDER: Casters sold separately. (17577 \_ \_ \_ [4-pack])

OPTIONAL dual-wheel 3" casters available, ordered separately as their own line item.

Model 17576 (for black 4-pack).

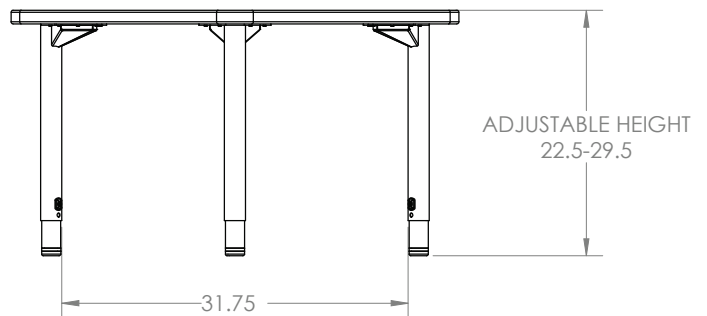
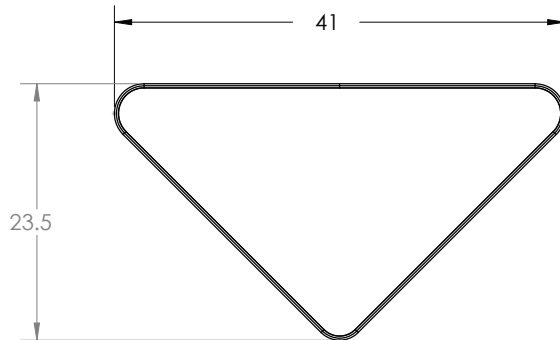
Model 17577 \_ \_ \_ (for color 4-pack).

## BUILD PART NUMBER

Choose MODEL	7	8	9	10	11	12	13	P	L	T	E	S
	Pick Edge	Pick Laminate Color			Pick Edge Color			Leg Color		Leg Style		

## DIMENSIONS + FREIGHT

Model	Description	D"	W"	H"	FC.	Cube	WT
ELWING_ _ _ _ PLTES	Wing Desk	23.5	41	22.5-29.5			42
	shipping dimensions box 1	30	30	3	70	22	24
	shipping dimensions box 2	25	14	8	70	22	18

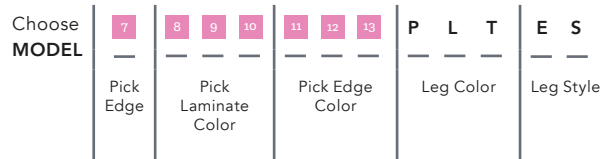


## STANDARD LAMINATE OPTIONS

Want to specify a different laminate?

No problem. If you have 20 or more tops of the same color -60 or -38 there is no upcharge. Have 20 or less? We can quote for you with the Wilsonart code and – finish style. We can specify other laminates—call to inquire and get a quote.

## BUILD PART NUMBER



## SUGGESTED STANDARD LAMINATES: 8 9 10



ASIAN NIGHT  
7949-60  
ANG



BOARDWALK OAK  
7983-60  
BWK



PEWTER MESH  
4878-60  
PEW



CLASSIC LINEN  
4943-60  
CLN



HIGH RISE  
4996-60  
HRE



NEW AGE OAK  
7938-60  
NEW



NORTH SEA GRAY  
D90-60  
NOS



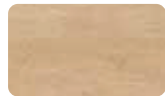
BUKA BARK  
7982-60  
BBK



PALISADES OAK  
7987-60  
PSO



FLAX LINEN  
4990-60  
FLL



MISSION MAPLE  
7990-60  
MIM

### Classic Standard Laminates:



FRENCH PEAR  
8220-60  
FRP



WILD CHERRY  
7054-60  
CHE



GREY NEBULA  
4622-60  
GNB



FUSION MAPLE  
7909-60  
MAP

All 14 of the standard laminates are -60 finish, if you need to match a laminate from a previous year, please let us know on your order (example Pewter Mesh 4878-38, our standard is -60).

When the WilsonArt Laminate code includes a "Y", "K", "-12" "-78", "Aeon" etc, these are special laminates with an upcharge, even when it contains -38 or -60.

## STANDARD EDGE COLOR OPTIONS: 11 12 13



APPLE APL



BLACK BLA



BLUEBERRY PBL



BURGUNDY BUR



CERULEAN CER



CHAMPAGNE CMP



RED RED



CHARCOAL CGR



CHOCOLATE CHC



CLEMENTINE CLM



FOREST GREEN FGR



FUCHSIA FUS



MINT MNT



YELLOW YEL



MOCHA MOC



NAVY NVY



ORANGE ORG



PERSIAN BLUE PBL



PLATINUM PLT



PURPLE PUR

## ELEMENTAL LEG COLORS



PLATINUM

## ELEMENTAL LEG STYLE



ES - Elemental Student Desk Leg: Platinum only.

\* REMINDER: Casters sold separately. (17577 \_\_\_)

### LEG STYLE:

- "ES" - Student Desk Leg Set, 22.5" - 29.5" Adjustability.