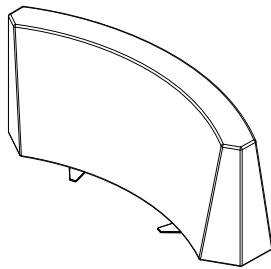




Flowform® Outdoor

Bench Divider - Curved

MODEL #: 55205



OVERVIEW

Flowform® Outdoor Seating from Smith System® helps create unique collaborative interaction spaces for kids of all ages. Flowform® Outdoor soft seating available in 5 shapes with 2 divider wall sizes to create barriers when space is needed.

MATERIALS

The main FRAME is constructed of aluminum while the inner weaving is an all weather wicker with webbing band which provides anti-UV protection. The 100% Sunbrella Acrylic fabric from the Elements collection, is non-PFOA water and stain repellent. The materials (quick dry foam and underside mesh) are designed to drain efficiently to protect the internal framework from mold and mildew, for prolonged life. All Flowform® Outdoor soft seating comes with installation hardware designed to attach to ground anchors. Anchors are not provided by Smith System and should be determined by the facilities personnel as selection is dependent on floor type.

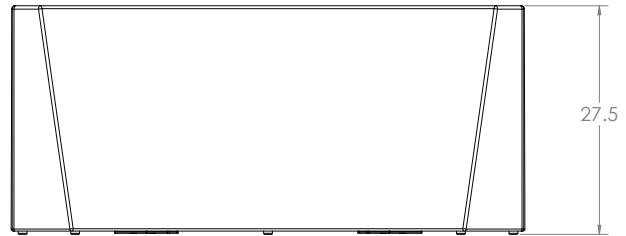
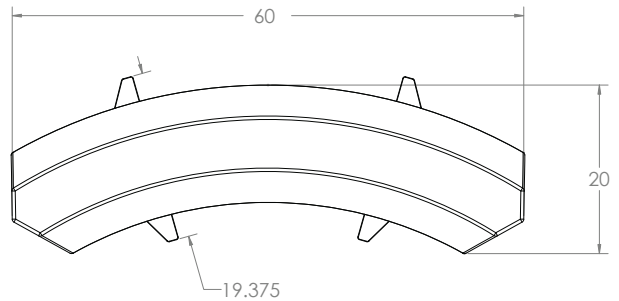
WEIGHT CAPACITY: 2 users up to 250 lbs. each.



BREAK STRENGTH	300 Warp 160 Filling Lbs. of Force
TEAR STRENGTH	16 Warp 15 Filling Lbs. of Force
MAINTENANCE	W: Bleach Cleanable (10:1)
FLAME RESISTANCE	CA Bulletin 117 2013
OIL REPELLENCY	Grade 5
COLORFASTNESS	
AATCC 169 Option 3	Grade 4 @ 2200 kJ
SAE J 1960	Grade 4/5 @ 1500 kJ

DIMENSIONS + FREIGHT

Model	Description	D"	W"	H"	F.C.	Cube	WT
55205	Bench Divider - Curved	20	60	27.5			25
	shipping dimensions	18.5	62.5	29	250	39	



FABRIC COLORS:

Fabric available in 5 colors from Sunbrella Vinyl: Tuscan, Charcoal, Sky Blue, and Macaw.



TUSCAN
TCN



CHARCOAL
CGR



MACAW
MAC



SKY BLUE
SKY