



Groove[®]

18" Backless Stool

MODEL#: 33749



OVERVIEW

The Groove[®] Backless Stool provides a comfortable and dynamic seating option in classrooms, makerspaces and STEM environments. Stool pad comes in 6 seat fabric colors and frame in Chrome or Platinum.

MATERIALS

FRAME consists of 16ga steel brackets on 14ga x 0.875dia steel tubes. Nylon, Felt, or Steel glides. Powder painted or chrome plated.

Upholstered seat is on a 3/4" plywood base with 1" cushion. Black fabric is Designtex Gamut. The remaining 5 colors are Designtex Alphabet.

DESIGNTEX Alphabet

LIGHTFASTNESS	250 hours
CONTENT	100% vinyl, phthalate free
FLAME RESISTANCE	CA Bulletin 117 2003
DURABILITY	1,000,000 (CD) Wyzenbeek dbl rubs.
MAINTENANCE	W: Bleach Cleanable (10:1)

DESIGNTEX Gamut *Black fabric only

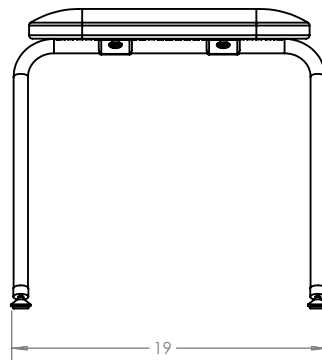
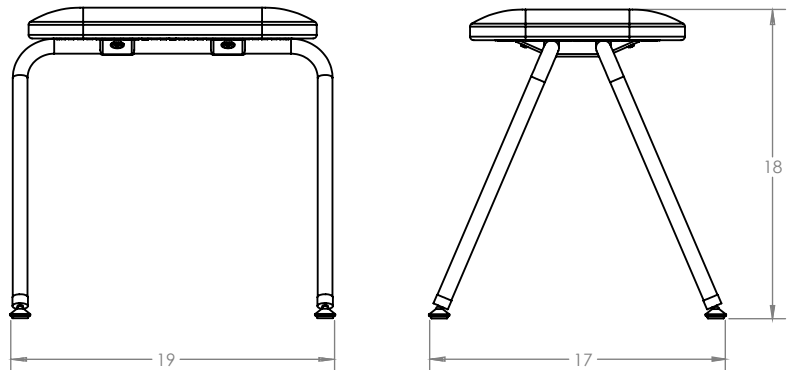
LIGHTFASTNESS	40 hours
CONTENT	100% polyester
DURABILITY	1,000,000 (CD) Wyzenbeek dbl rubs.
MAINTENANCE	Clean only with water-based or solvent-based cleaner

FRAME COLOR OPTIONS:



DIMENSIONS

Model	Description	D"	W"	H"
33749_/_/PLT	Groove [®] Backless Stool 18"	17	19	18
33749_/_/CHR	Groove [®] Backless Stool 18"	17	19	18



SEAT FABRIC COLORS:

