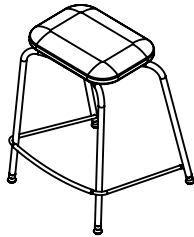




# Groove®

## 24" and 30" Backless Stool

MODEL#: 33789, 33791



### OVERVIEW

The Groove® Backless Stool provides a comfortable and dynamic seating option in classrooms, makerspaces and STEM environments. Stool pad comes in 6 seat fabric colors and frame in Chrome or Platinum.

### MATERIALS

FRAME consists of 16ga steel brackets on 14ga x 0.875dia steel tubes. Nylon, Felt, or Steel glides. Powder painted or chrome plated.

Upholstered seat is on a 3/4" plywood base with 1" cushion. Black fabric is Designtex Gamut. The remaining 5 colors are Designtex Alphabet.

### DESIGNTEX Alphabet

LIGHTFASTNESS	250 hours
CONTENT	100% vinyl, phthalate free
FLAME RESISTANCE	CA Bulletin 117 2003
DURABILITY	1,000,000 (CD) Wyzenbeek dbl rubs
MAINTENANCE	W: Bleach Cleanable (10:1)

### DESIGNTEX Gamut \*Black fabric only

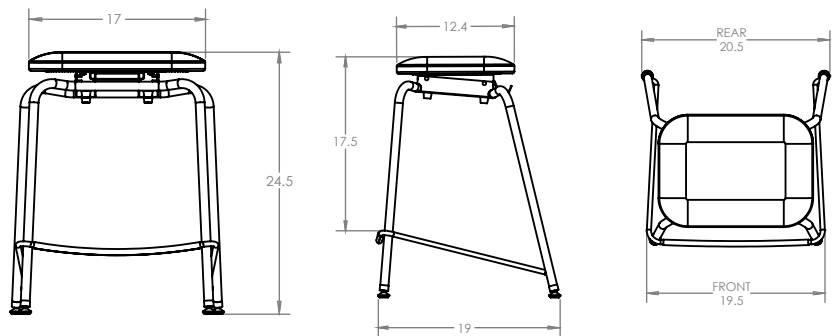
LIGHTFASTNESS	40 hours
CONTENT	100% polyester
DURABILITY	1,000,000 (CD) Wyzenbeek dbl rubs
MAINTENANCE	Clean only with water-based or solvent-based cleaner

### FRAME COLOR OPTIONS:

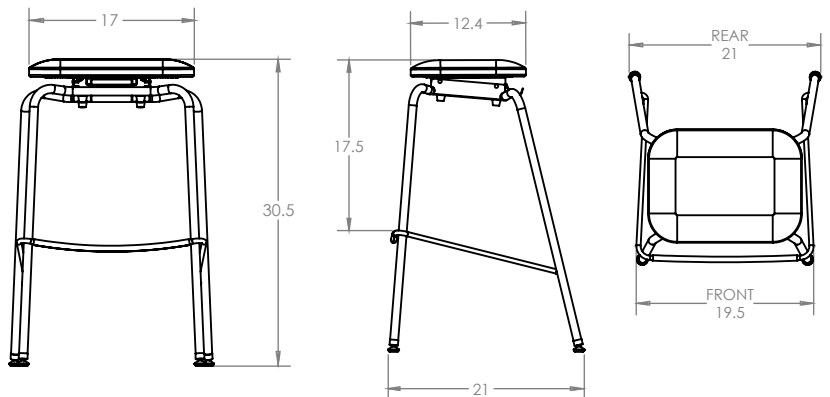


### DIMENSIONS

Model	Description	D"	W"	H"
33789__/_/PLT	Groove® Backless Stool 24"	19	20.5	24.5
33789__/_/CHR	Groove® Backless Stool 24"	19	20.5	24.5
33791__/_/PLT	Groove® Backless Stool 30"	21	21	30.5
33791__/_/CHR	Groove® Backless Stool 30"	21	21	30.5



Model : 33789 Groove® Backless Stool 24"



Model : 33791 Groove® Backless Stool 30"

### SEAT FABRIC COLORS:

