



Silhouette® XL Sit+Stand

24 x 36 Large Rectangle

MODEL#: 01635



OVERVIEW

With Sit + Stand, students have the flexibility to choose their preferred position: sitting or standing. Styled to match the current line of Silhouette® tables and desks, this mobile desk comes with lockable casters and legs are spaced to allow feet placement underneath desk.

MATERIALS

The ¾" thick WORK SURFACE consists of a 45 lb density particle board core with a 0.030" high pressure laminated surface and a 0.020" melamine backer sheet. The edge of the tabletop features your choice of a ¾" or 4mm t-mold, which is then fastened to the underside of the work surface every 6 to 8 inches to assure a long lasting fit.

The BASE is constructed of cold rolled steel and the COLUMN is a combination of steel, aluminum, and plastic.

SURFACE OPTIONS



STANDARD EDGE COLORS ** Lead time may apply*

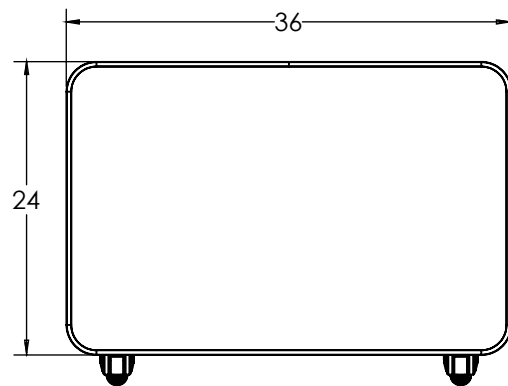
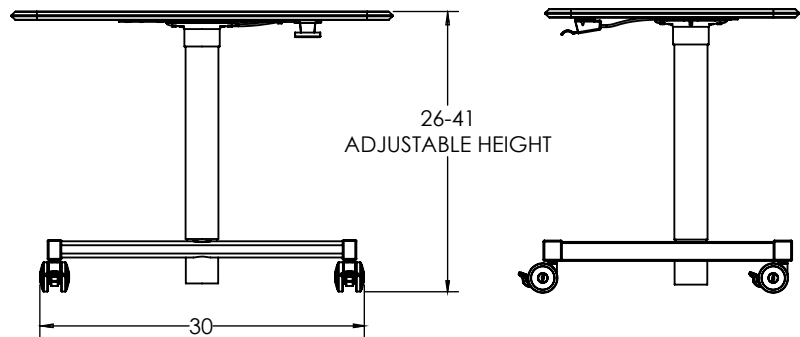


TOP & EDGE PROFILE

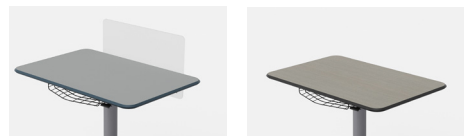


DIMENSIONS

Model	Description	D"	W"	H"	F.C.	Cube	WT.
01635_----- PLT	Large Rectangle Silhouette® XL Sit+Stand	24	36	26-41	70	12.5	52.5
Top Dimensions		24	36				



OPTIONAL ACCESSORIES



Model: 60100
Modesty Panel/Privacy Screen

Model: 76518
Technology Basket