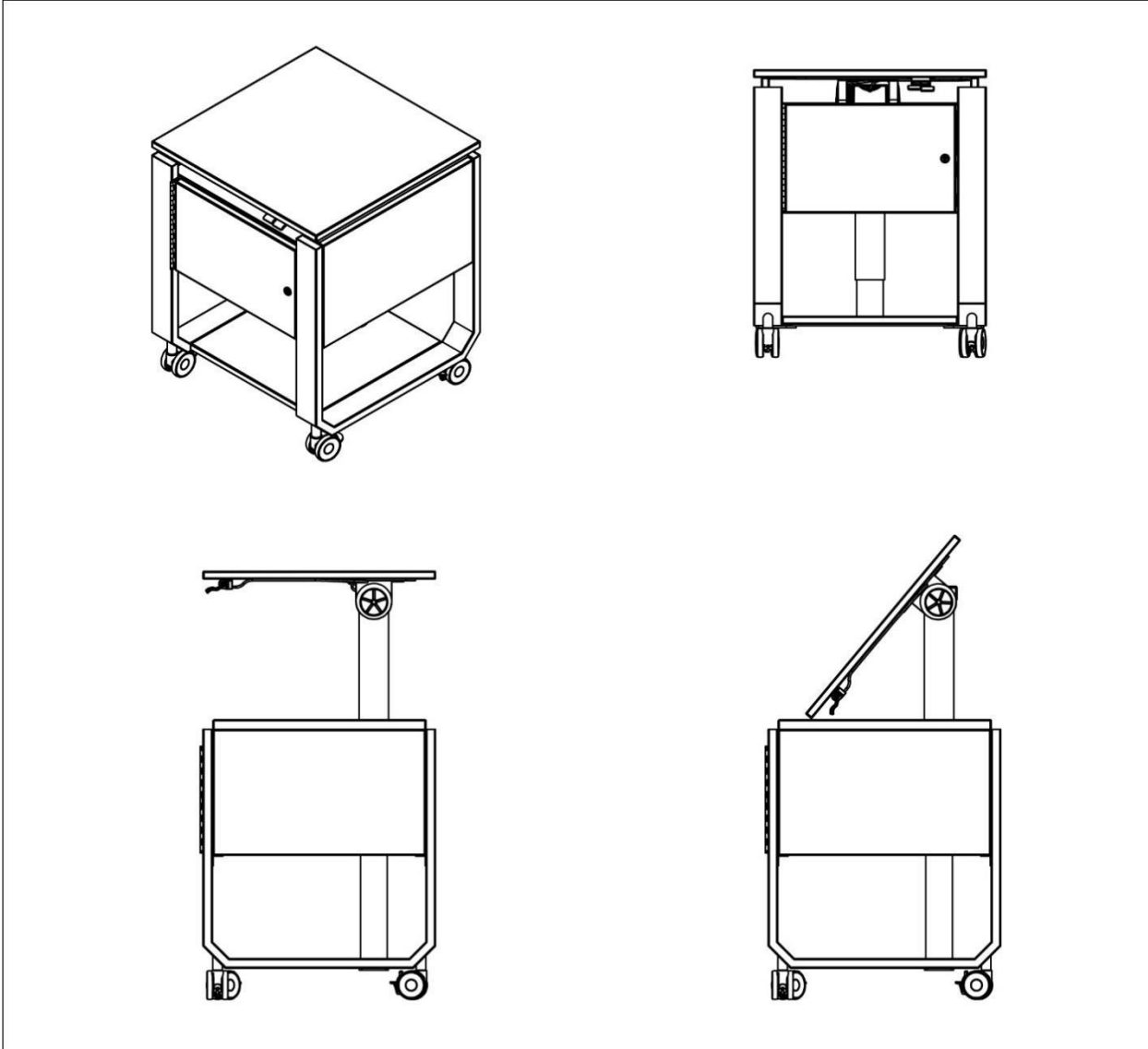


Assembly Instructions

MOTUM MOBILE LECTERN



MODEL NUMBERS

58040 and 58041

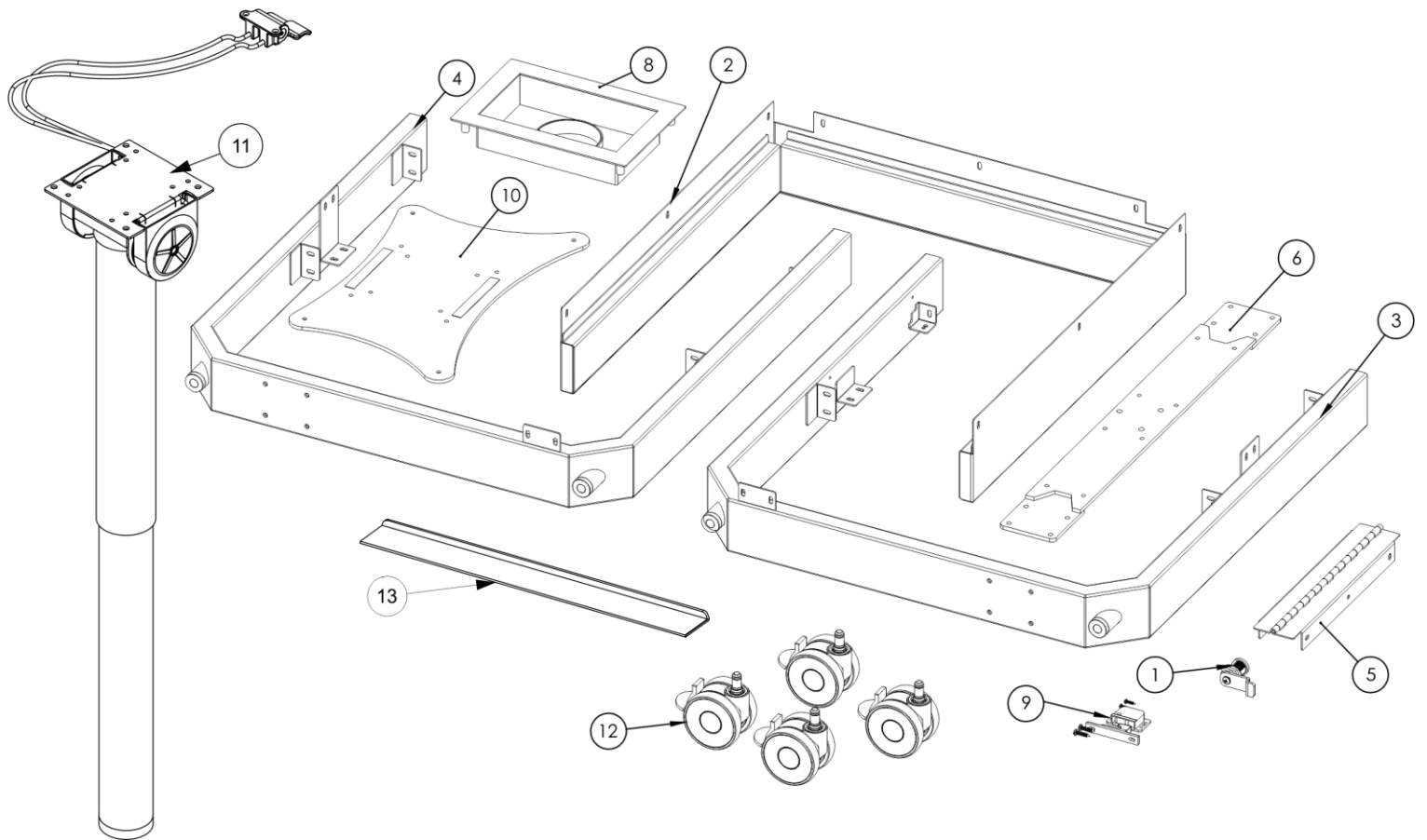
A digital copy of these assembly instructions can be found at <https://smithsystem.com/wp-content/uploads/2022/03/MOBILE-WORKSTATION-ASSEMBLY-INSTRUCTIONS-179720.pdf>

For video assembly instructions, scan the QR code link, or visit <https://youtu.be/7dpGppHC-z0>



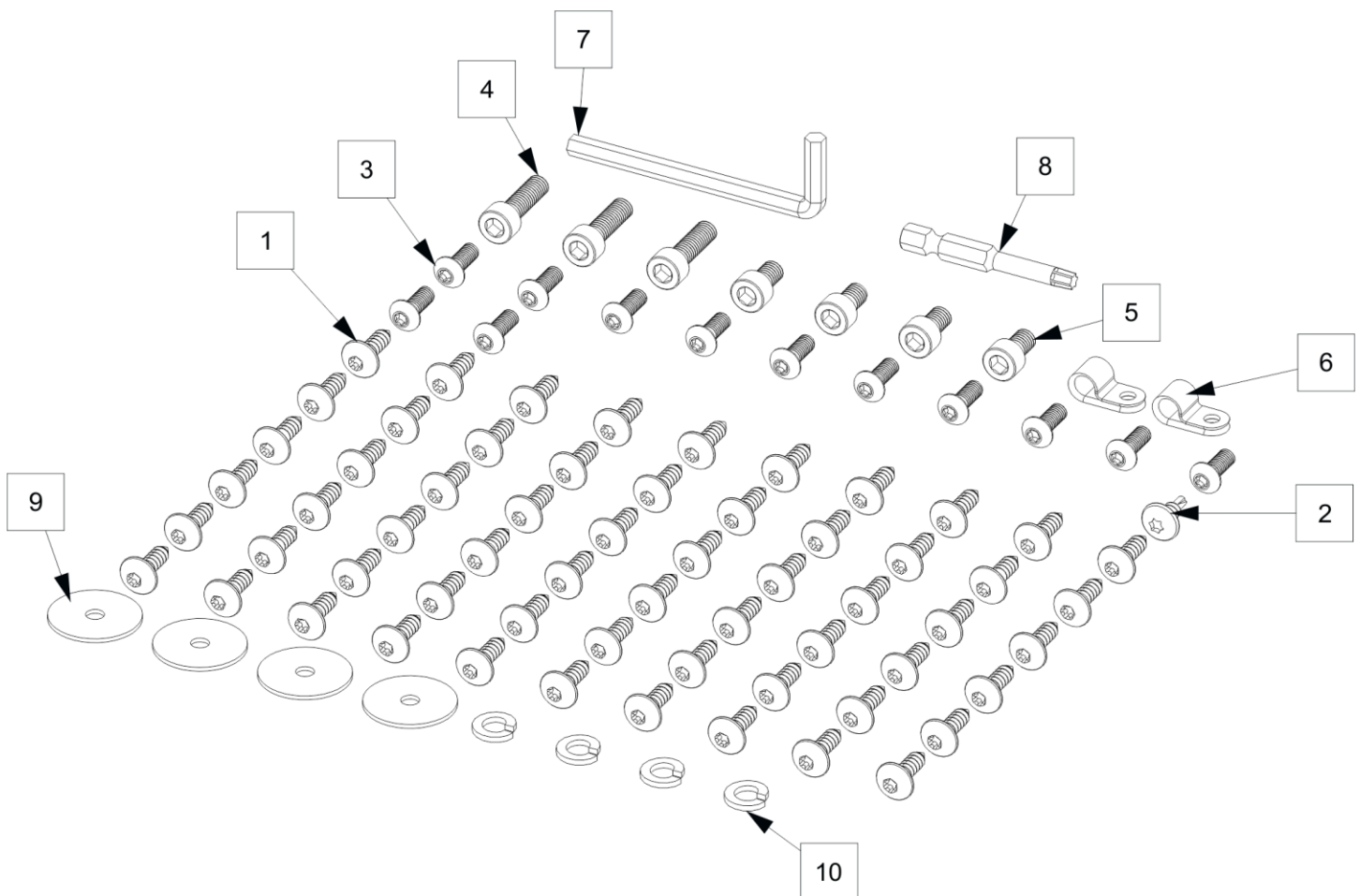
Hardware And Components

ITEM NO.	PART NO.	DESCRIPTION	QTY
1	P14310	MWS TD LOCK ASSEMBLY	1
2	P14304	MOBILE LECTERN TO U ASSEMBLY	1
3	P14295	MSW LEG ASSEMBLY LEFT	1
4	P14296	MSW LEG ASSEMBLY RIGHT	1
5	P14314	MOBILE LECTERN DOOR HINGE ASSEMBLY	1
6	P14307	MOBILE LECTERN PED TO LEG BRACKET ASSEMBLY	1
8	P14374	MWS TD TILT SUPPORT ASSEMBLY	1
9	P14510	MWS TD PUSH TO OPEN ROLLER LATCH	1
10	P14319	BUTTERFLY PLATE WITH FOAM MOUNTING TAPE	1
11	P14319	SIT STAND COLUMN WITH TILT	1
12	60085	3" LOCKING CASTER	4
13	67125	12" PENCIL PAPER RETAINER	1



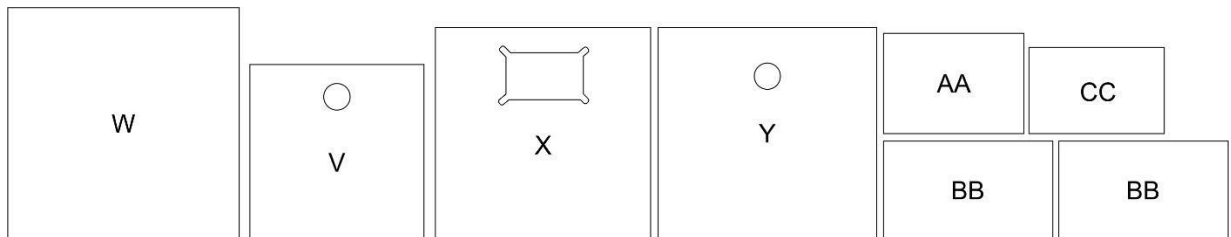
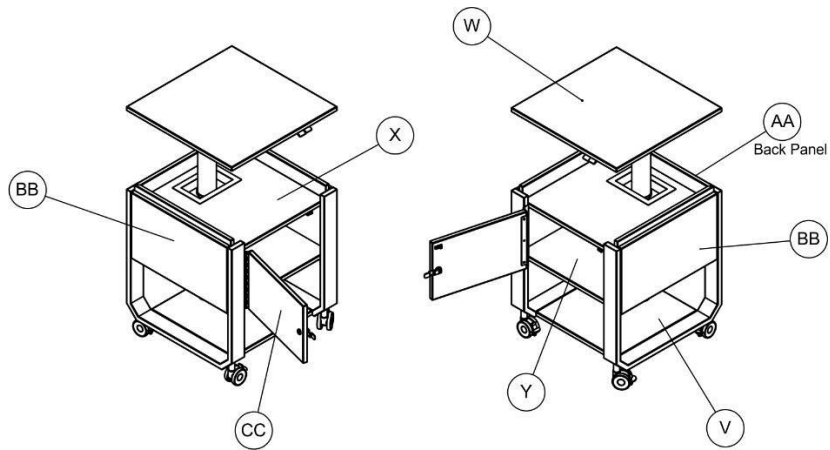
Hardware And Components

Item No.	Part No.	Description	QTY
1	P14322	NO. 10 X 5/8" TORX BUTTON HEAD SCREW	60
2	P14324	NO. 10 X 1/2" TORX SELF DRILLING BUTTON HEAD SCREW	1
3	P14323	10-32 X 1/2" TORX BUTTON HEAD W/ PATCH	12
4	P13977	M6 X 1.0 X 20MM SOCKET HEAD, HEX DRIVE, BLK OX	3
5	P13994	M6 X 1.0 X 10MM SOCKET HEAD, HEX DRIVE, BLK OX	4
6	P13995	1/4" I.D. PLASTIC LOOP CLAMP	2
7	P13981	HEX KEY 5MM SHORT ARM	1
8	P14329	T25 TORX POWER BIT 2"	1
9	P14369	#10 WASHER 1" OD	4
10	P14320	M6 SPLIT LOCK WASHER	4

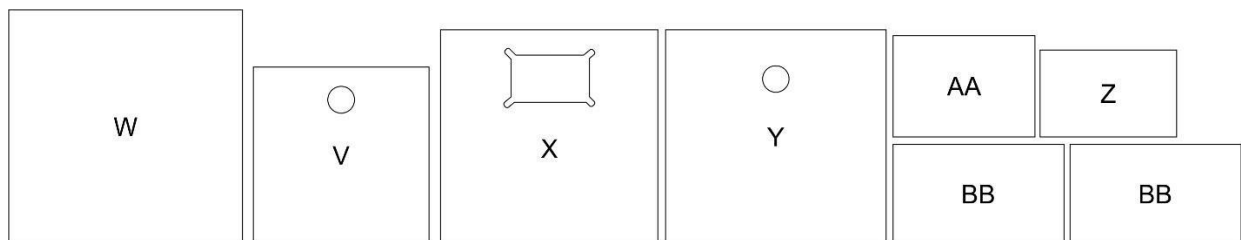
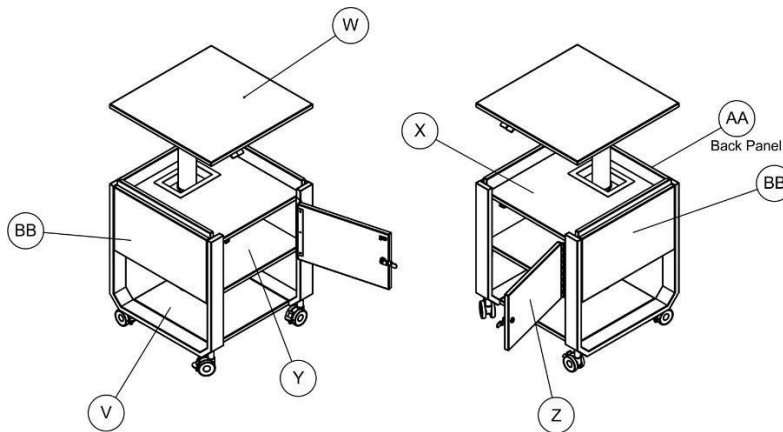


Panel Guide

58041 – Left Hand Mobile Workstation



58040 – Right Hand Mobile Workstation



General Assembly Guidelines

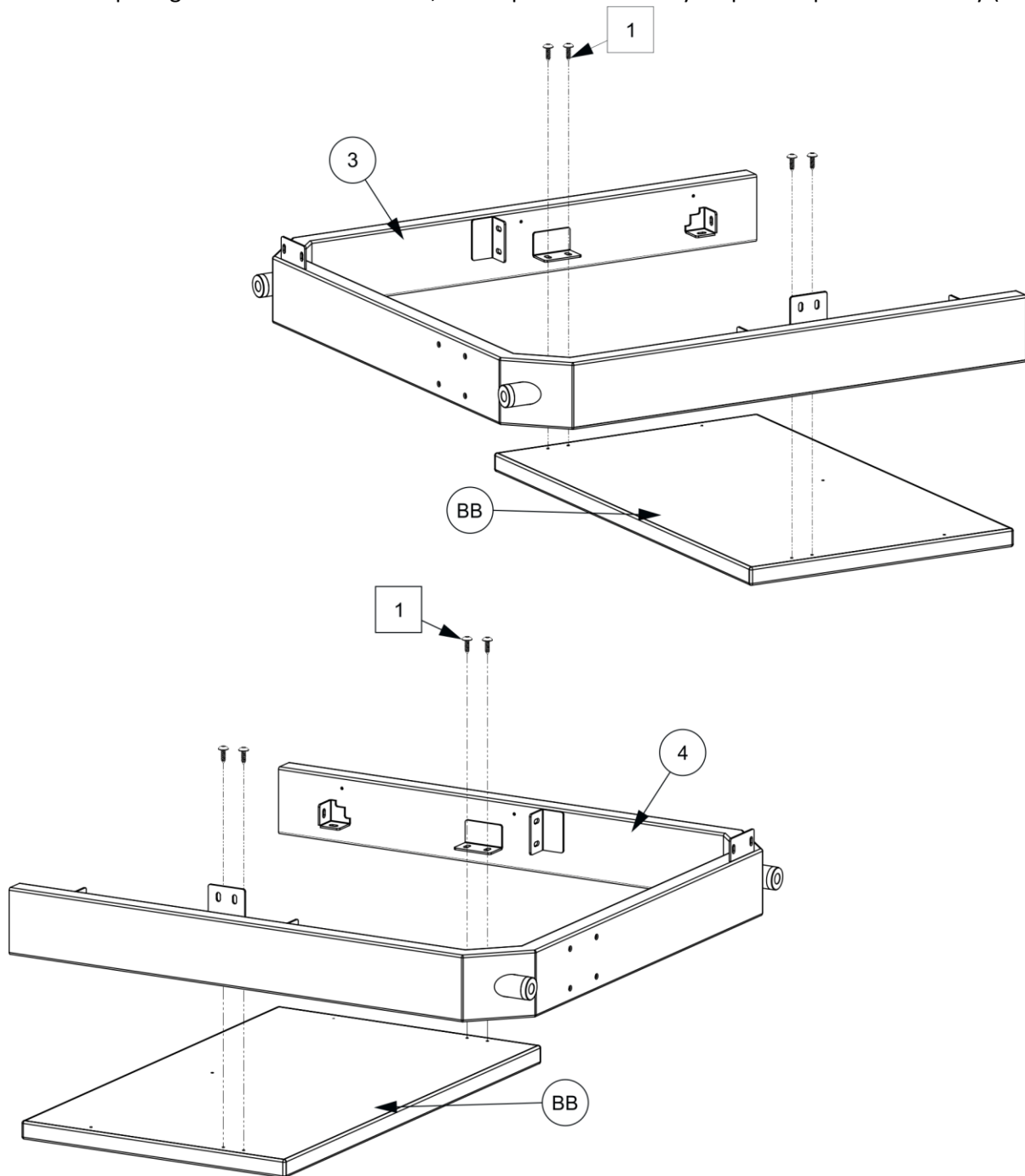
- Ensure that all components are accounted for and undamaged before assembling
- Follow each step carefully to ensure the proper assembly of this product
- 2-person assembly is highly recommended
- Clean the product with a mild cleaner and damp cloth

Tools

- Framing Square
- Drill
- #1 and #2 Phillips drill bit
- Adjustable wrench
- Hammer
- Screwdriver (optional)
- Wood Clamps (optional)
- ¼" bit extender (optional)

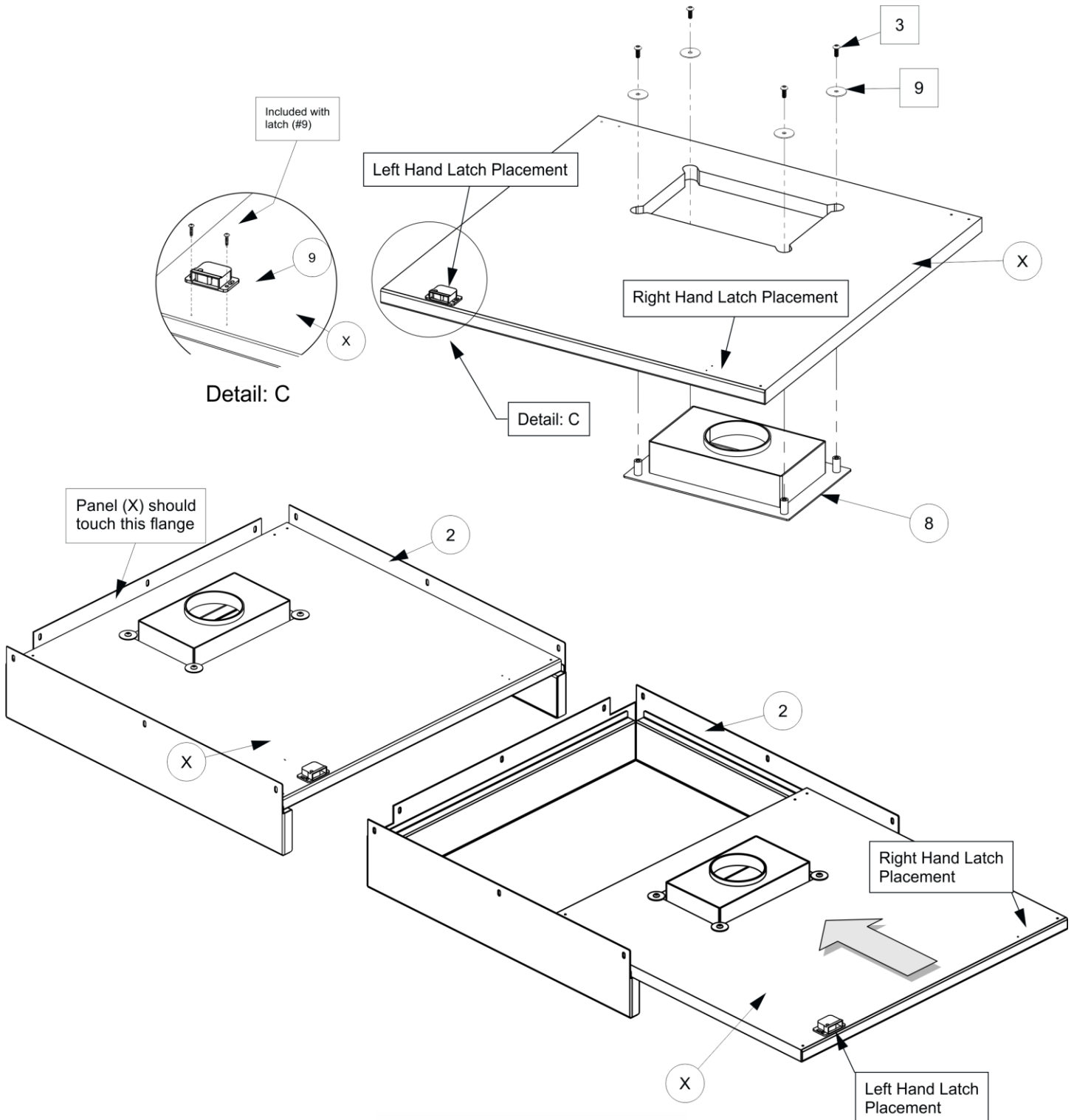
Assembly Instructions

1. Unpack and confirm all parts are present.
2. There are 2 panels (BB), one will attach to assembly (#3) and the other to (#4). Begin by placing one panel (BB) on smooth, clean, surface, facedown with pilot holes facing up. Position leg assembly (#3) with holes aligned (as shown) and attach using 4x fastener [#1]. Before tightening, make sure the top edge of (#3) and panel (BB) are flush and that the spacing on both sides is uniform, use a spacer if necessary. Repeat steps with assembly (#4).



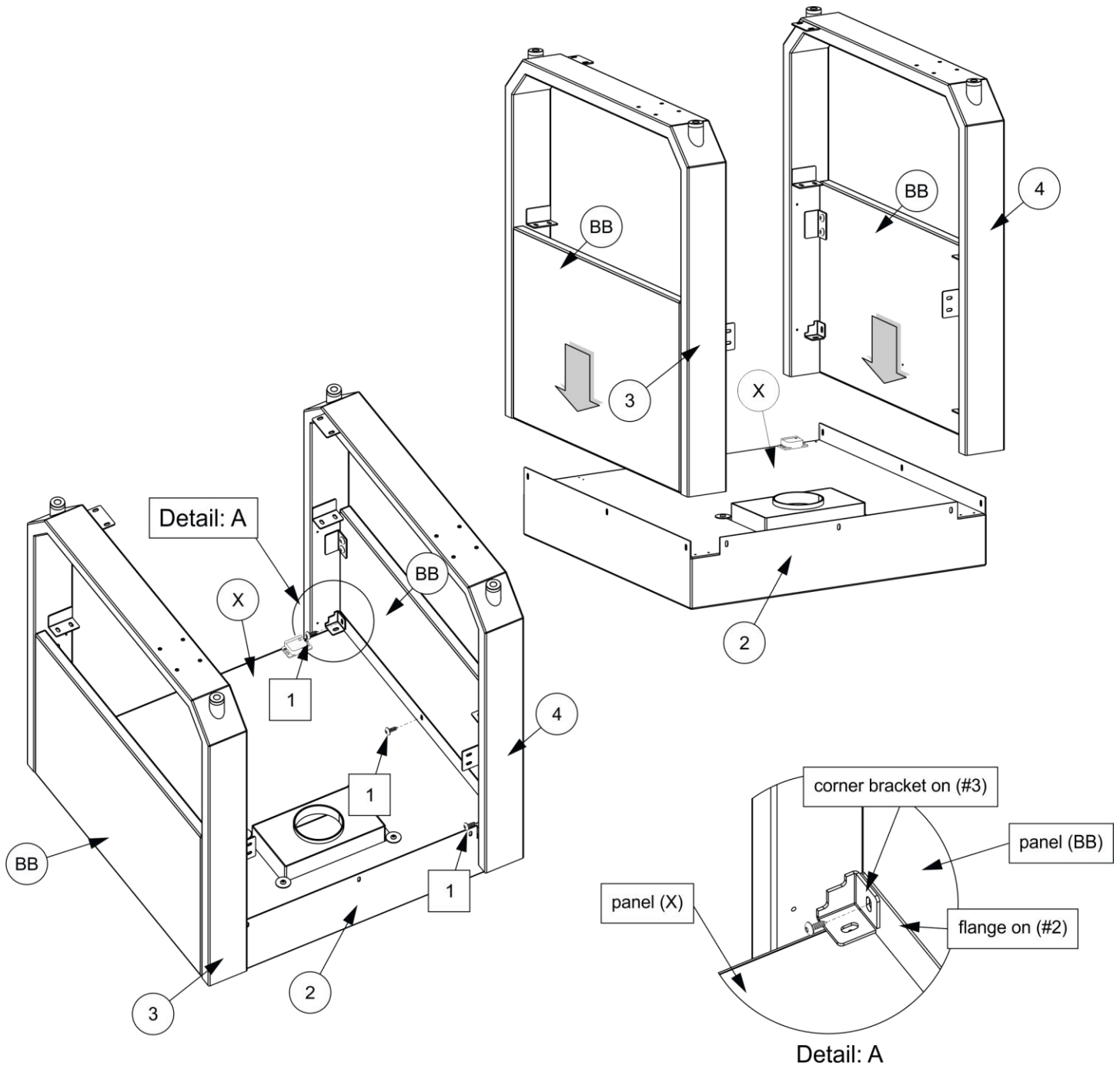
Assembly Instructions

3. Insert support assembly (#8) into cut-out in panel (X). Using 4x washer [#9] and 4x fastener [#2], loosely finger tighten (#8) into place. Align latch (#9) with pilot holes on panel (X) and attach using the 2x shorter fasteners (included in latch packet). (See Detail: C) Next, position panel (X) into assembly (#2) so edges are aligned and spacing on either side is uniform.



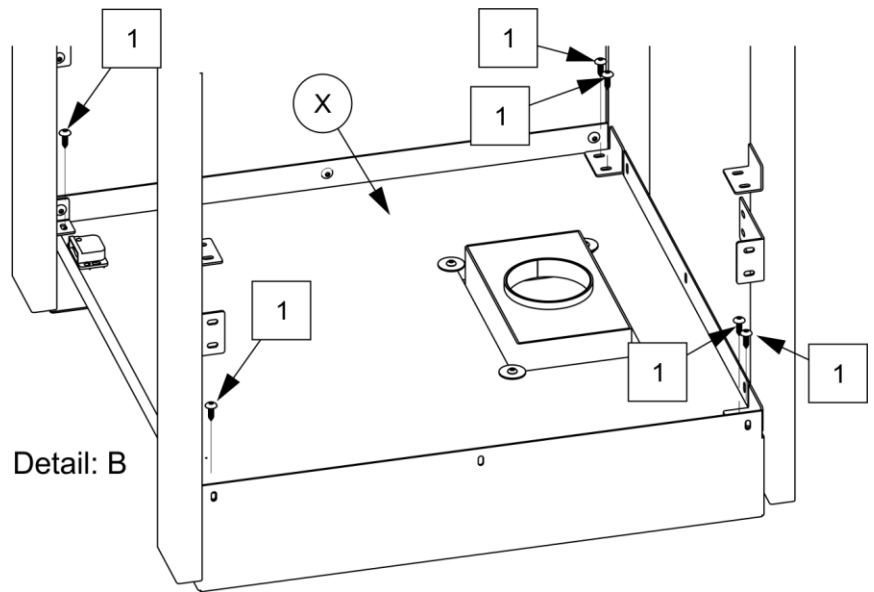
Assembly Instructions

- Align assemblies (#3) and (#4) to assembly (#2) making sure the back edges are snug and that the flange on bracket (#2) slides between panel (BB) and corner brackets on (#3) and (#4) (as shown in Detail: A below). Attach assembly (#2) to 2x panels (BB) using 6x fastener [#1]

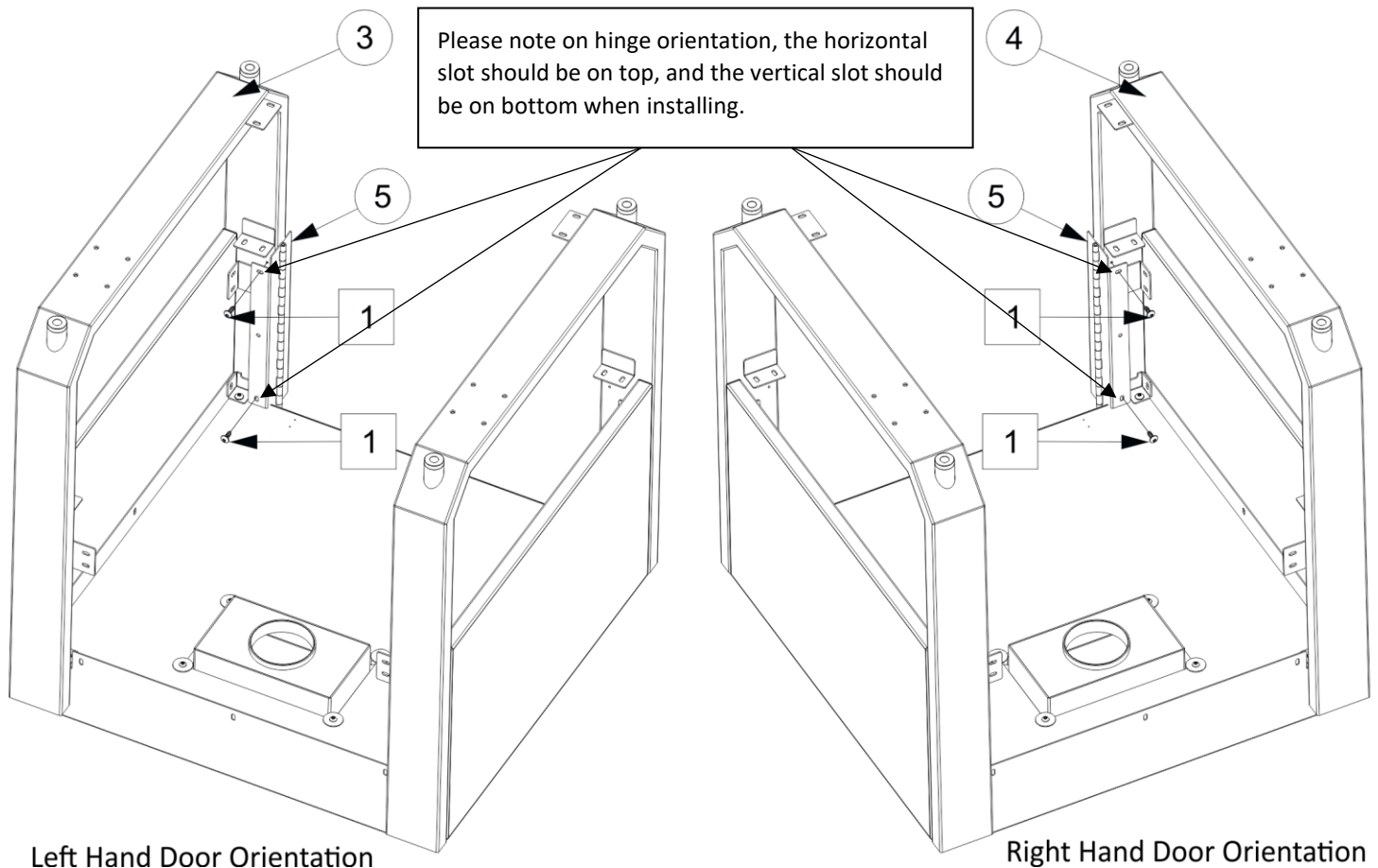


Assembly Instructions

5. Use 6x fastener [#1] to attach (#3) and (#4) to (X) (as shown in Detail: B).

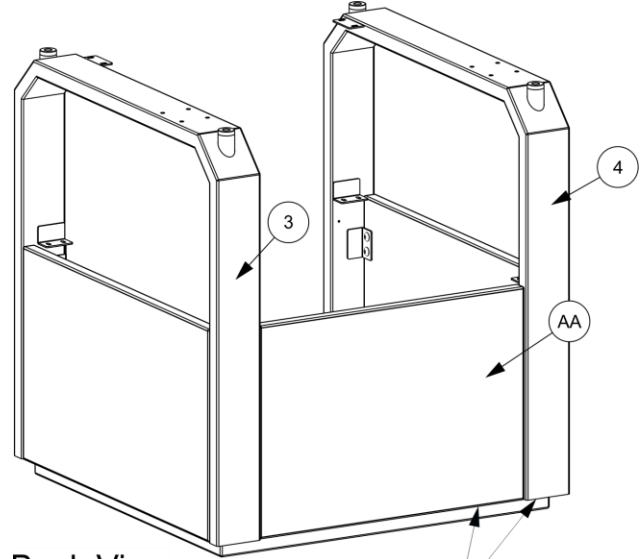
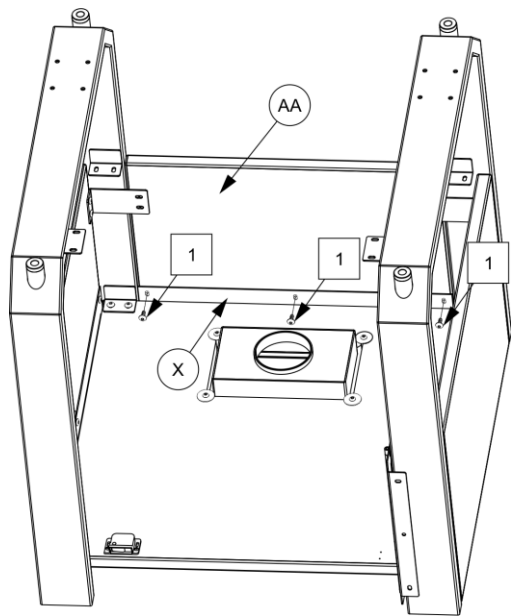


6. For left hand unit – Attach hinge (#5) to (#3) using 2x fastener [#1]. Do not fully tighten.
For right hand unit – Attach hinge (#5) to (#4) using 2x fastener [#1]. Do not fully tighten.



Assembly Instructions

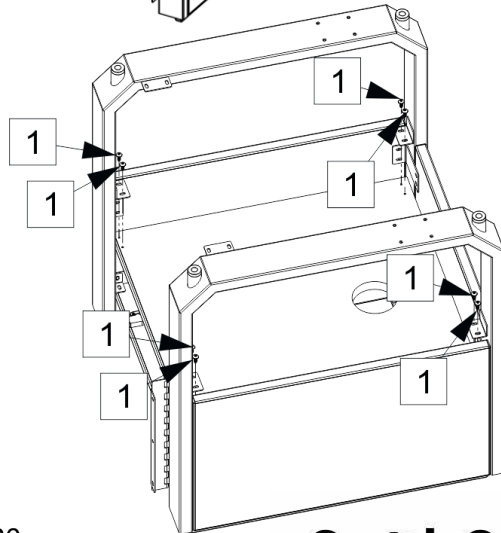
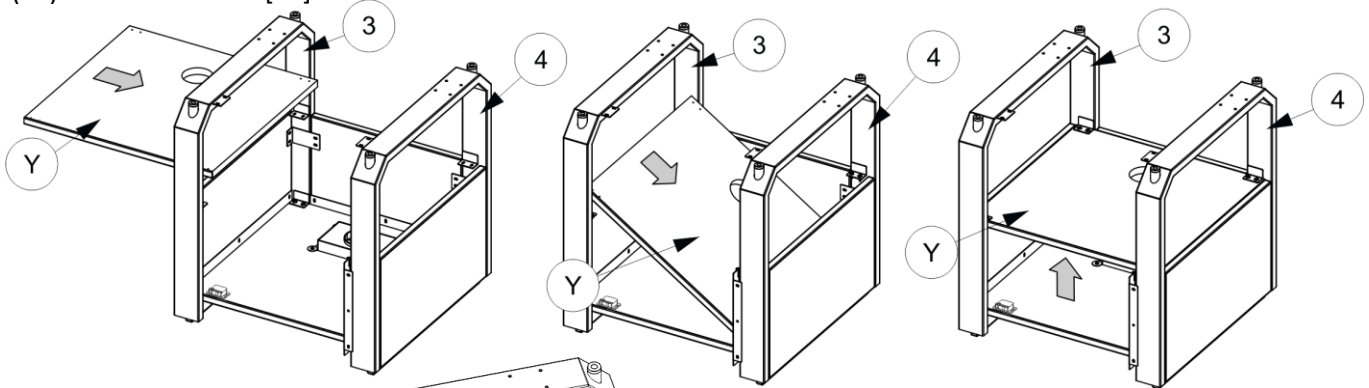
7. Insert panel (AA) between (#3) and (#4), aligning top edges. Attach to (X) using 3x fastener [#1].



Back View

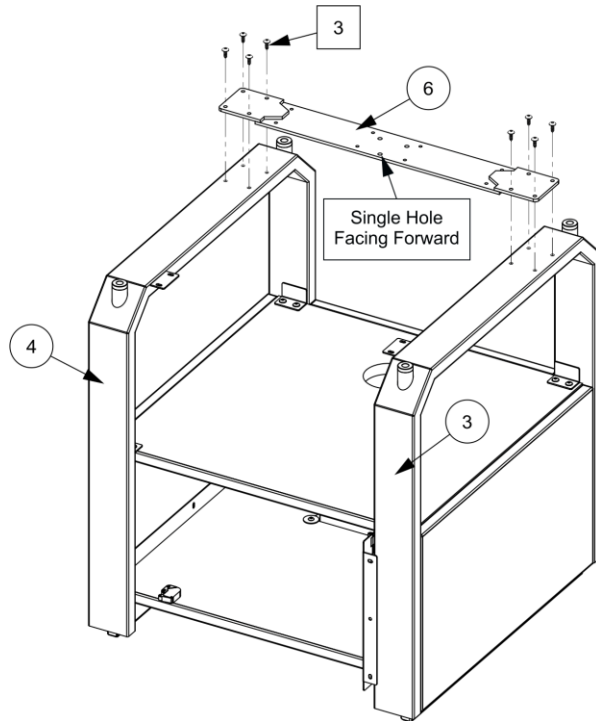
Make sure these edges are aligned

8. Gently insert panel (Y) into assembly from the side. Tip to position panel under tabs on (#3) and (#4) as shown below. (Apply slight outward pressure on (#3) and (#4) if necessary to clear brackets). Attach to brackets on (#3) and (#4) with 8x fastener [#1]

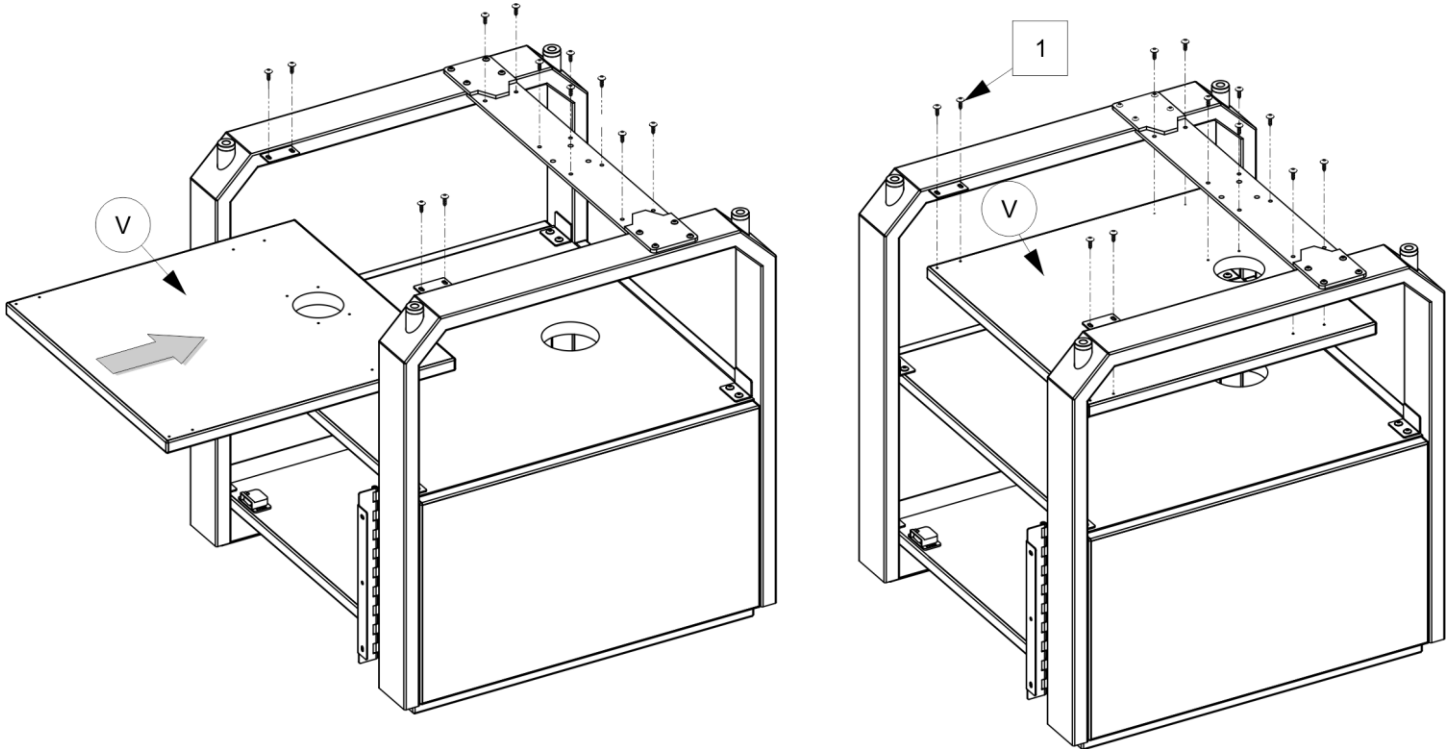


Assembly Instructions

9. Using 8x fastener [#3], attach part (#6) to (#3) and (#4) from bottom.

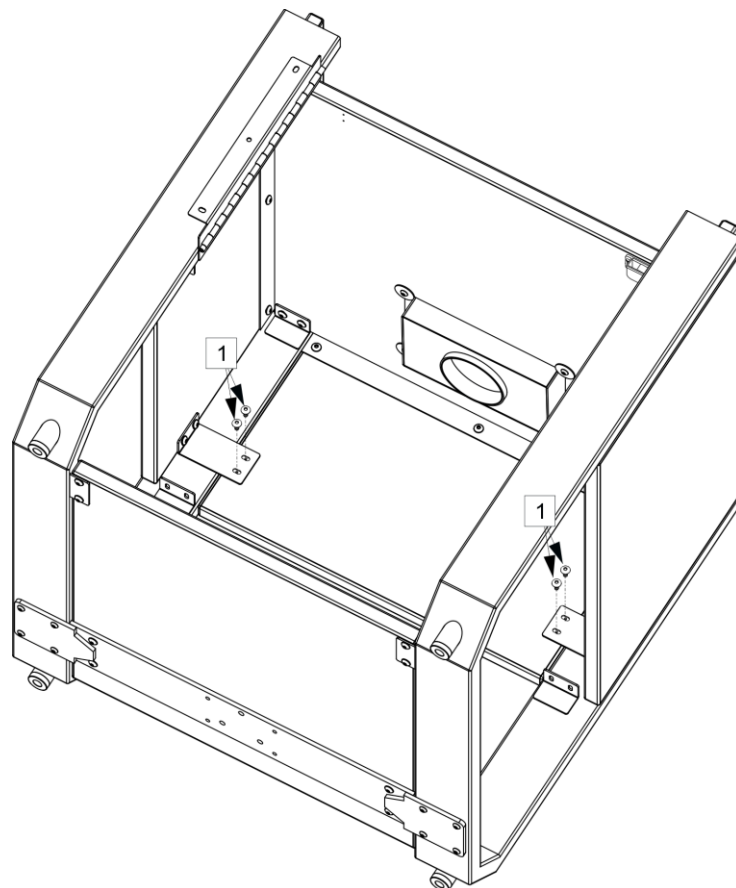


10. Attach panel (V) to assembly (#6) using 12x fastener [#1].

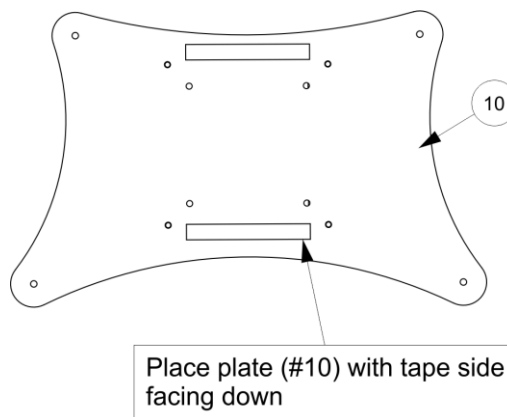
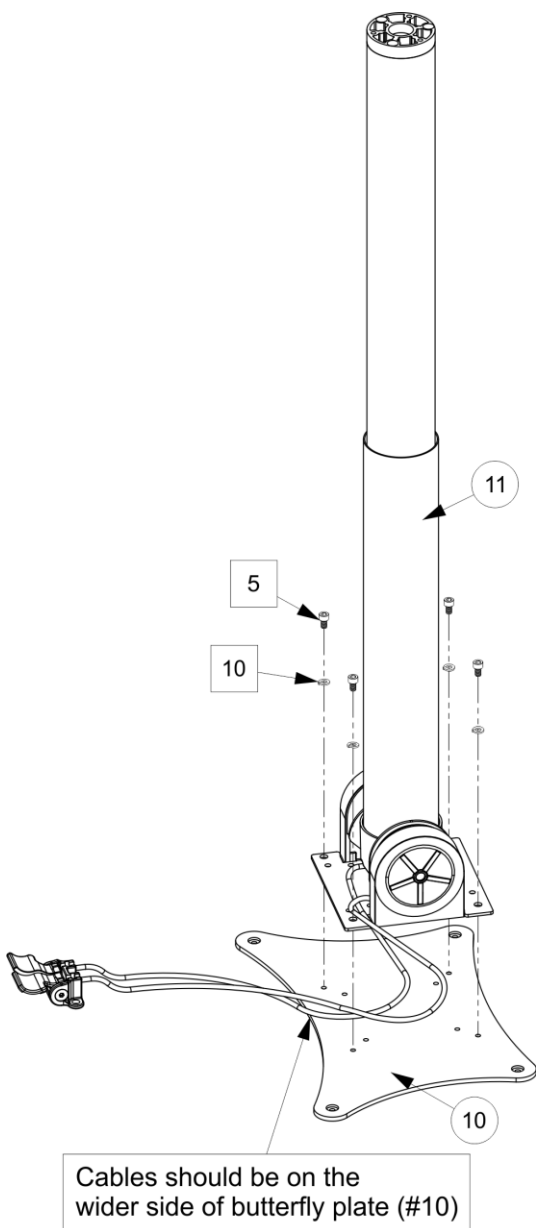


Assembly Instructions

11. Lay unit on its back on a smooth, clean surface. Place 4x fastener [#1] in the remaining brackets on (#3) and (#4) and tighten.

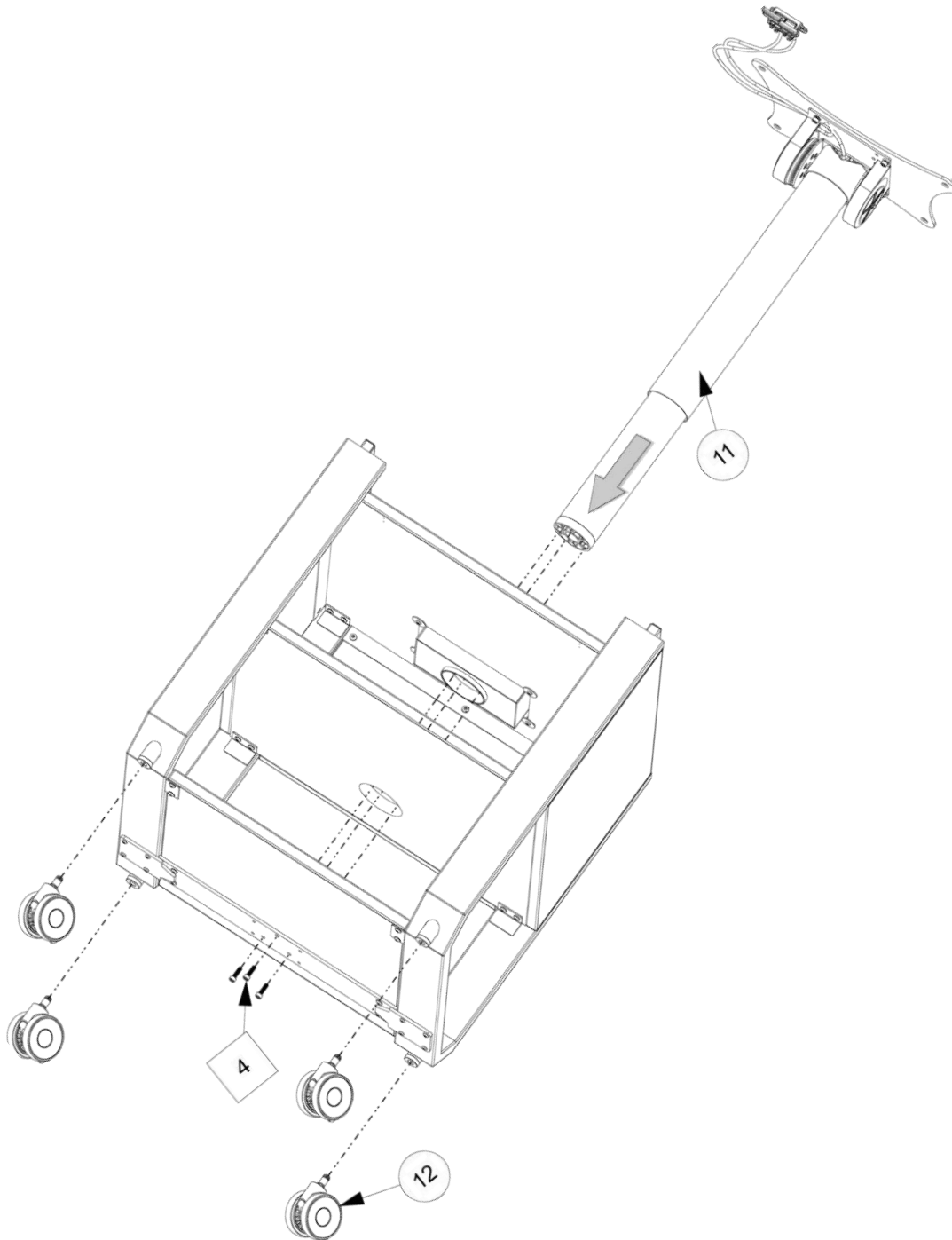


12. Place butterfly plate (#10) with tape facing down on a smooth, clean surface. Align pilot holes on lift column (#11) with butterfly plate (#10) so that lift cables are on the wider side of the plate (as shown below). Attach (#11) to (#10) with 4x washer [#10] and 4x fastener [#5] using supplied Allen key [#7].



Assembly Instructions

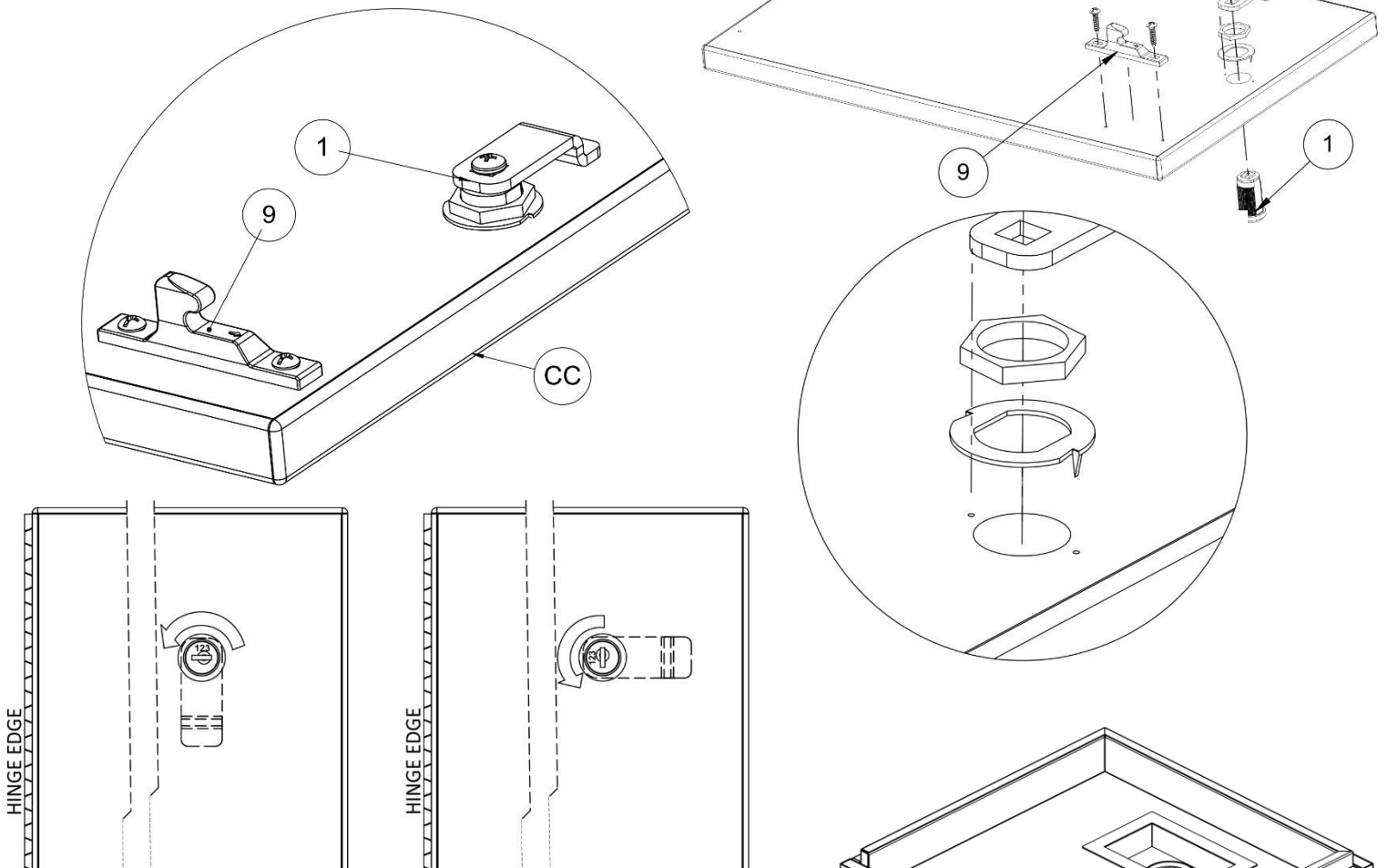
13. Carefully insert column through unit. Attach to bracket (#7) from bottom using 3x fastener [#4].
14. Firmly insert provided casters. With casters in locked position, set unit upright.



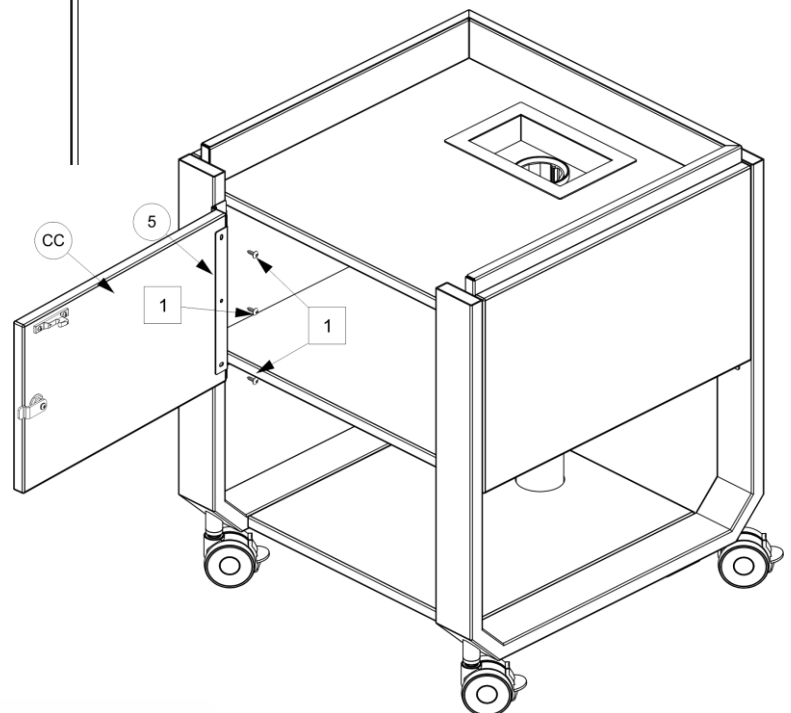
Assembly Instructions

This page is for Left Hand assembly. See next page for Right Hand assembly.

15. (LH) Assemble lock and attach to door. Attach latch strike plate (#9) to door using 2x longer screws provided with latch kit (#9)



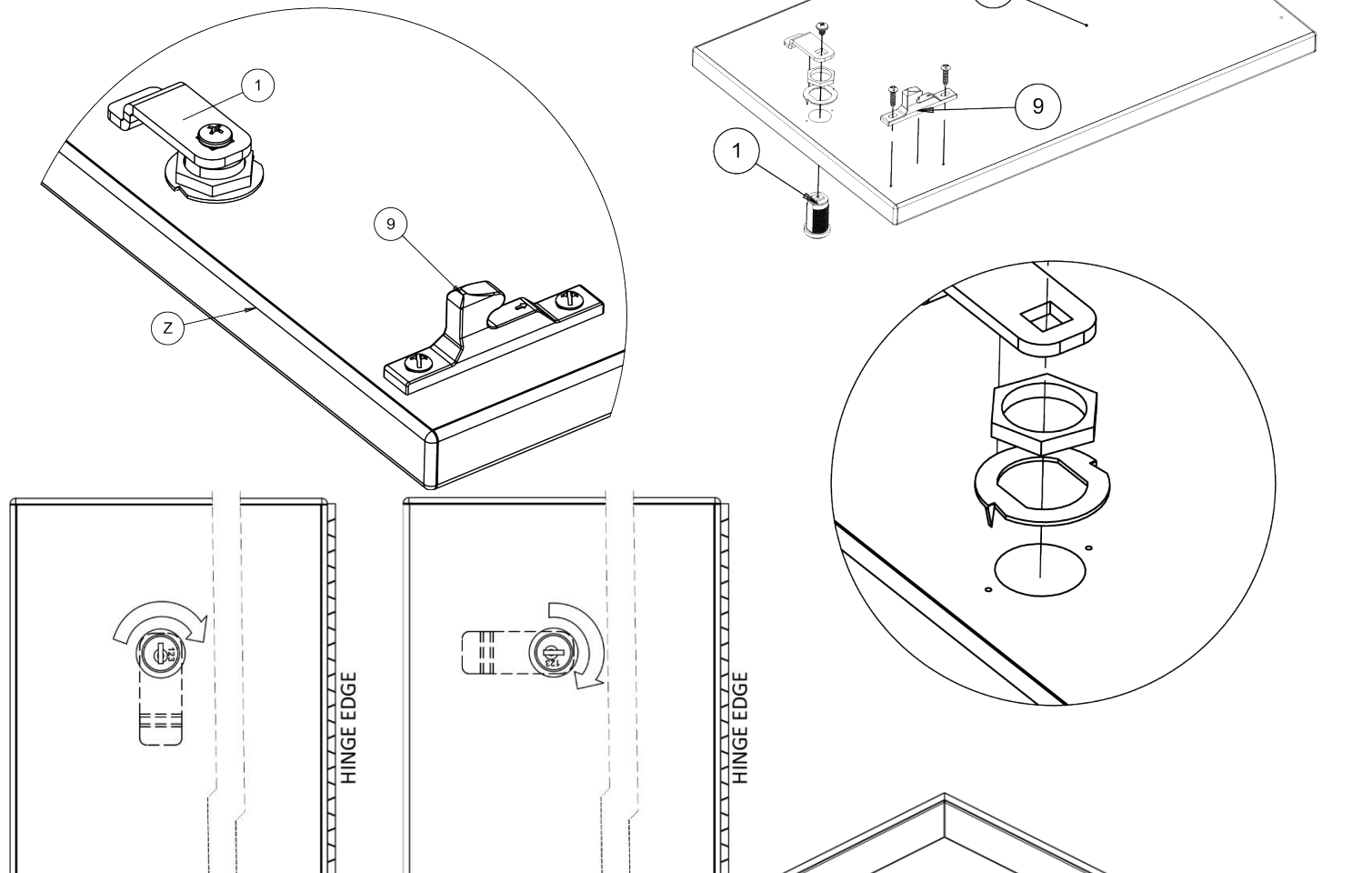
16. (LH) Attach door panel (CC) to hinge (#5) using 2x fastener [#1] utilizing the top and bottom holes in hinge. Make necessary adjustments for proper alignment of door before attaching self-drilling fastener [#2] through center hole.



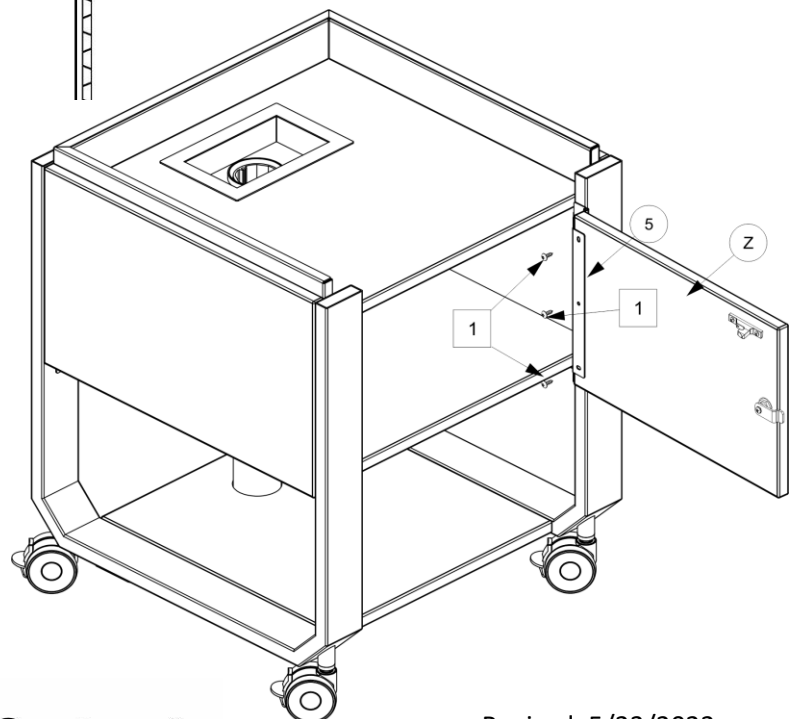
Assembly Instructions

This page is for Right Hand assembly. See previous page for Left Hand assembly.

17. (RH) Assemble lock and attach to door. Attach latch strike plate (#9) to door using 2x longer screws provided with latch kit (#9)

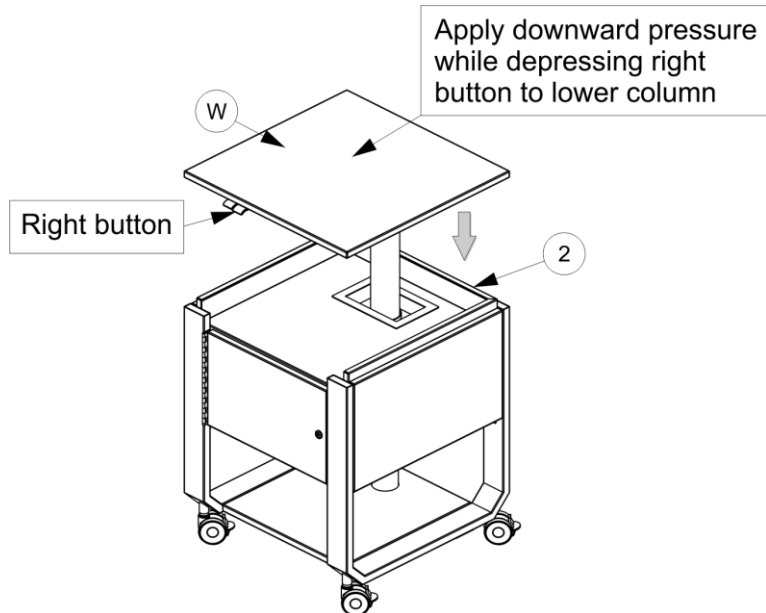


18. (RH) Attach door panel (CC) to hinge (#5) using 2x fastener [#1] utilizing the top and bottom holes in hinge. Make necessary adjustments for proper alignment of door before attaching self-drilling fastener [#2] through center hole.

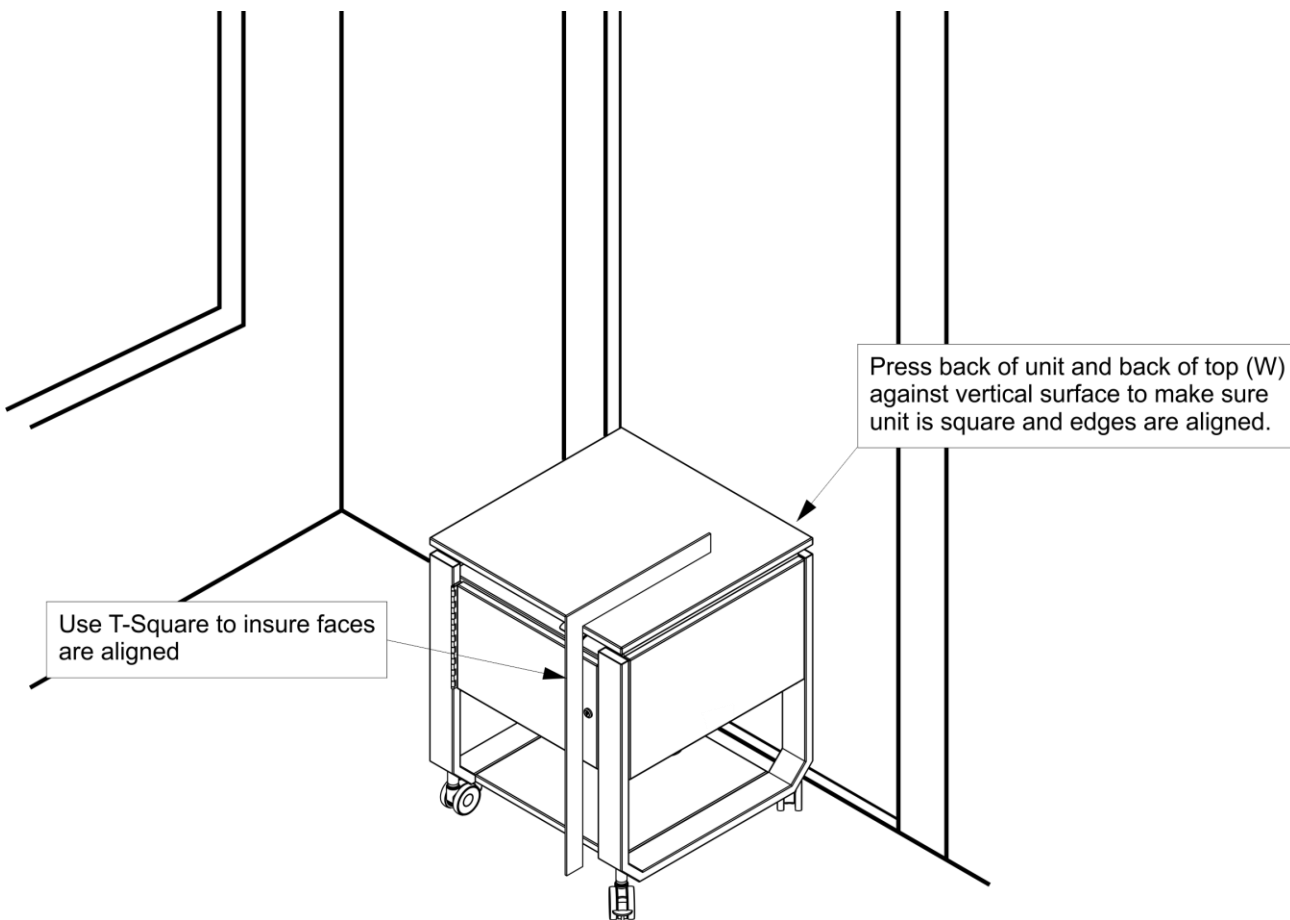


Assembly Instructions

17. Place panel (W) on butterfly plate (#10). While pressing right button, push down on panel (W) until it makes contact with the top of (#2).

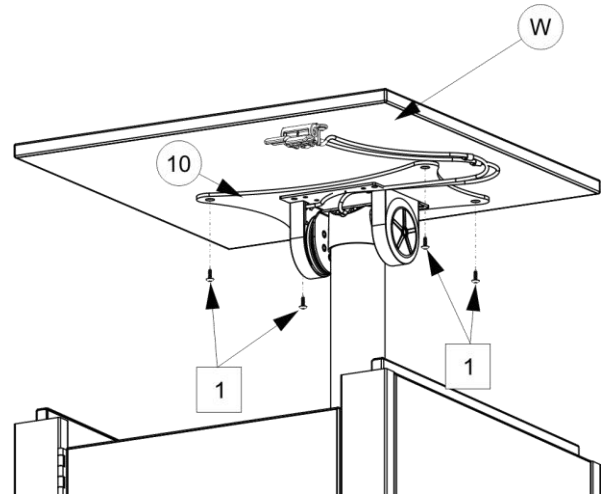


18. Remove backing from tape strips on butterfly plate (#10). Next, align unit with a vertical surface such as a door. With assistance, use a T-square to align front of top with front of unit. Once aligned properly, press down firmly on panel (W) to affix to mounting tape on butterfly plate.

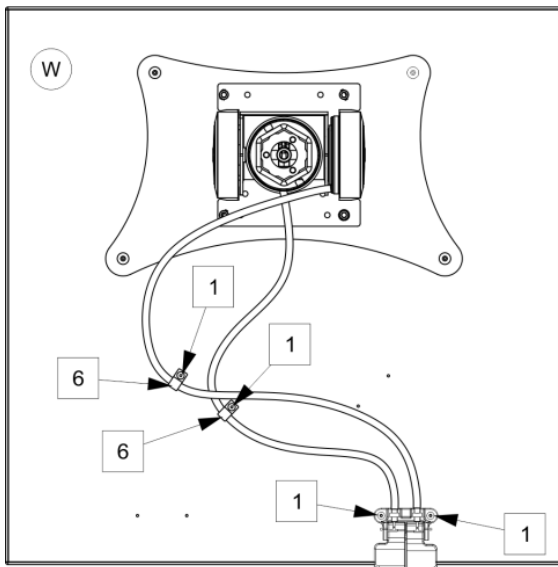


Assembly Instructions

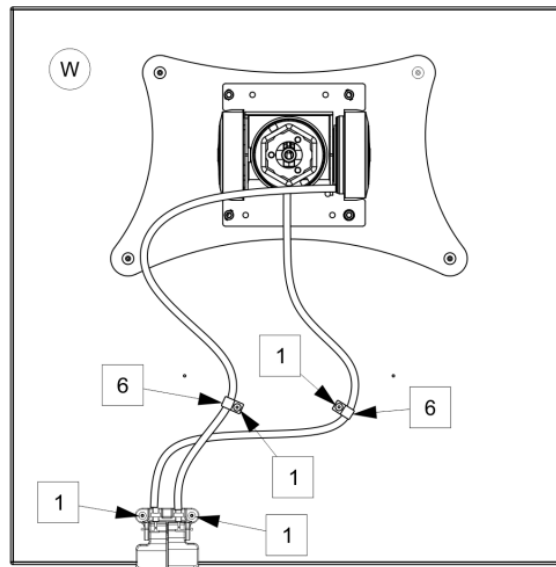
19. While applying pressure to panel (W), press right lever to raise lift mechanism fully. Using 4x fastener [#1], attach top (W) to butterfly plate (#10) while applying pressure from above.



20. Attach lift handles and cable clips [#6] to underside of top (W) using 4x fastener [#1].



For Operation With Left Hand



For Operation With Right Hand

21. Remove adhesive backing from pencil/paper retainer (#13). Align front edges of (#13) and top (W) and press firmly to attach.

Assembly Completed

