



# Numbers™ Desk

## Student Desk 20 x 27

MODEL#: 02130



### OVERVIEW

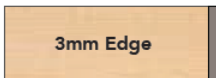
To complete the Numbers equation, we designed its companion: the versatile Numbers Desk. Together, the chair + desk suite equals a smart solution for students, teachers and facility personnel.

### MATERIALS

The LEG SETS are made in pairs, made of 16 gauge steel elliptical stems and inserts, 14 gauge cross brace and 12 gauge plates. Legs consist of two fully welded segments. Legs have a full, even and long lasting powdercoat finish. Ends are protected with a textured cap and securely captured leveling glide for fine tuning adjustment on uneven floors. Table height adjusts from 22" - 34" in 1" increments. Adjustment for each leg is secured by two 3/8" set screws.

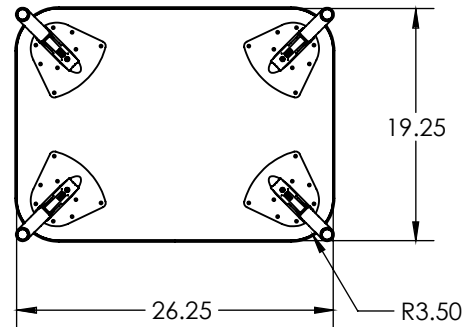
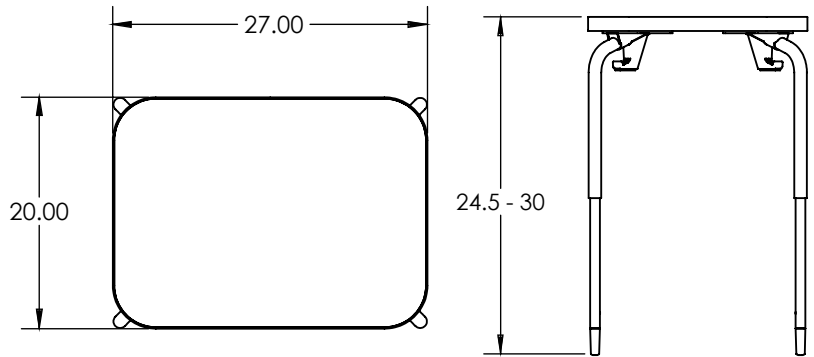
The WORK SURFACE is made of 1 1/4" or 3/4" thick, high density particle board core, double sided with a 0.030" high pressure laminate and bumper edge that is mechanically fastened every 6"-8". Tops are pre-drilled for leg set attachment and ease of installation. Tables and legs are supported by one or more 2" x 3" channels with four breakovers for optimum strength.

### DESK TOP & EDGE PROFILE



### DIMENSIONS

Model	Description	D"	W"	H"	F.C.	Cube	WT
02130	Numbers Student Desk 20 x 27	20	27	24.5-30	400	44	37



### OPTIONAL ADD ONS



Model: 60168BLA  
2" Caster w/lock



Model: 60161  
Numbers student desk low range insert  
(4pk)

**STANDARD LAMINATE OPTIONS**

Want to specify a different laminate?

No problem. If you have 20 or more tops of the same color -60 or -38 there is no upcharge. Have 20 or less? We can quote for you with the Wilsonart code and – finish style. We can specify other laminates – call to inquire and get a quote.

**SUGGESTED LAMINATE OPTIONS**



ASIAN NIGHT  
7949-60



BOARDWALK OAK  
7983-60



PEWTER MESH  
4878-60



CLASSIC LINEN  
4943-60



HIGH RISE  
4996-60



NEW AGE OAK  
7938-60



NORTH SEA GRAY  
D90-60



BUKA BARK  
7982-60



PALISADES OAK  
7987-60



FLAX LINEN  
4990-60



MISSION MAPLE  
7990-60

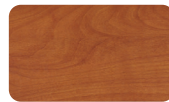
All 15 of the standard laminates are -60 finish, if you need to match a laminate from a previous year, please let us know on your order (example Pewter Mesh 4878-38, our standard is -60).

When the WilsonArt Laminate code includes a "Y", "K", "-12", "-78", "Aeon" etc, these are special laminates with an upcharge, even when it contains -38 or -60.

*Classic Standard Laminates:*



FRENCH PEAR  
8220-60



WILD CHERRY  
7054-60



GREY NEBULA  
4622-60



FUSION MAPLE  
7909-60

**STANDARD EDGE COLOR OPTIONS**

• Additional Lead Time



APPLE



BLACK



BLUEBERRY\*



BURGUNDY\*



CERULEAN



CHAMPANGE



CHARCOAL



FOREST GREEN\*



NAVY



ORANGE\*



PERSIAN BLUE



PLATINUM



PURPLE\*



RED\*



YELLOW\*

**LEG COLOR OPTIONS**



PLATINUM