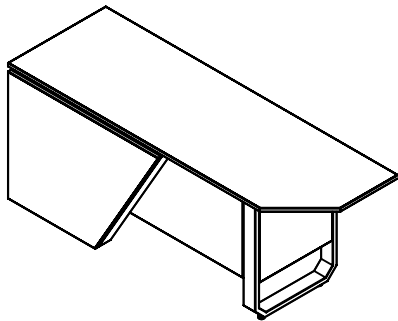




Motum™

24" x 72" Teacher Desk

MODEL#: 58004PLT-58007PLT



OVERVIEW

The Motum Teacher Desk has a sleek wheelbarrow design with lockable casters. When sitting at the desk lockable box file or ped with removeable totes can be accessed on your right side or left side dependent on the model.

MATERIALS

The WORK SURFACE is constructed with 24" x 72" laminated particle board top. Below when sitting at the desk lockable box file can be accessed on your right side or left side dependent on model. The Teacher Desk with totes has lockable ped with removable totes can be accessed on your right side. Door opens right to left or left to right dependent on model.

The left or right LEG is constructed with cold rolled steel, and the desk also has abs totes and plastic casters.

SUGGESTED LAMINATE OPTIONS



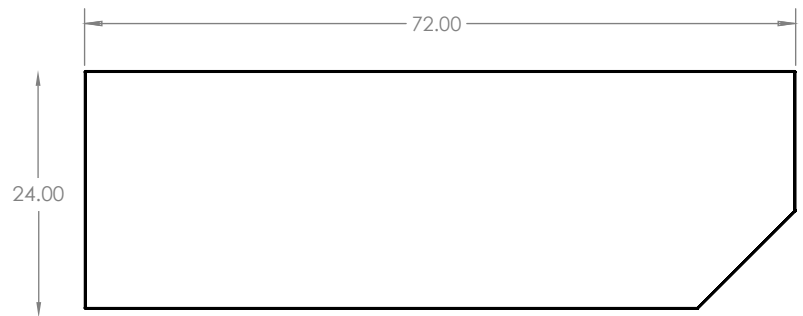
FRAME FINISH



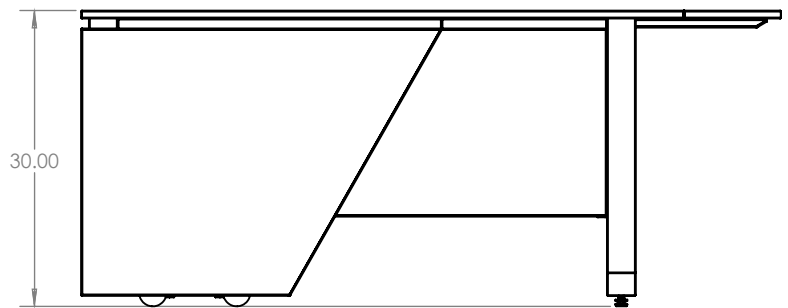
PLATINUM

DIMENSIONS

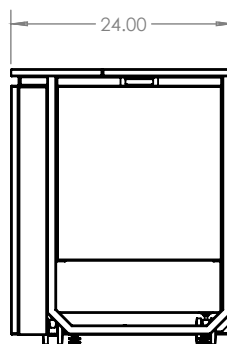
Model	Description	D"	W"	H"
58004 PLT / _ _ _	24" x 72" Teacher Desk - Box/Box/file	72	24	30
58005 PLT / _ _ _	24" x 72" Teacher Desk - Box/Box/file	72	24	30
58006PLT / _ _ _	24" x 72" Teacher Desk - w/Totes, Right-hand	72	24	30
58007 PLT / _ _ _	24" x 72" Teacher Desk - w/Totes, Left-hand	72	24	30



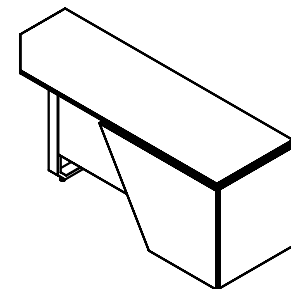
Model 58004



Model 58004



Model 58004



Model 58005 & 58007
File Left Hand (LH) shown