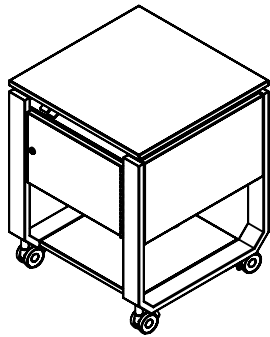




Motum™

Mobile Lectern

MODEL#: 58040PLT-58041PLT



OVERVIEW

The Motum Mobile Lectern offers flexibility use the desk as an add-on conference top when paired with a the Motum™ teacher desk.

MATERIALS

The WORK SURFACE is constructed with laminated particle board, on the left hand side, 24" x 24" top is adjustable in height 30-44" with tilting capabilities. The Mobile Lectern also consist of 4 lockable casters, with lockable storage with secondary shelf below. Door opens from right to left, when used in conjunction with the teachers desk it is intended to be placed on the right hand side of the teachers desk. (Vice versa with model 58041PLT)

The left and right LEG is constructed with cold rolled steel.

SUGGESTED LAMINATE OPTIONS

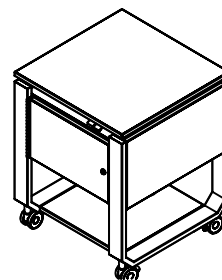
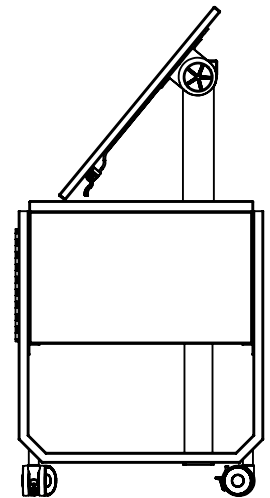
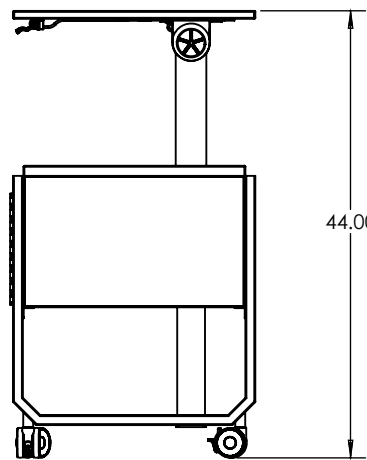
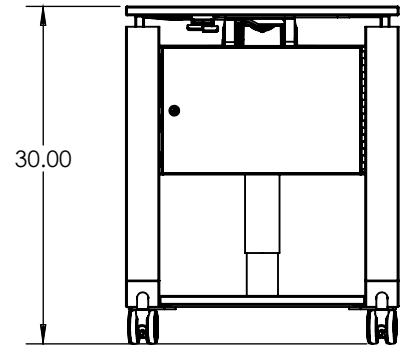
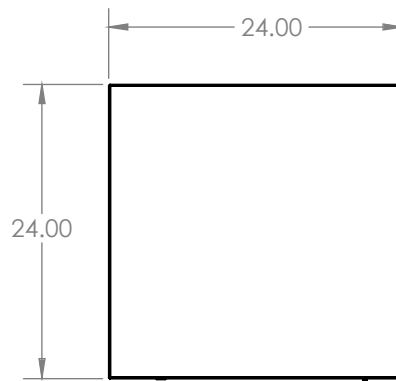


FRAME FINISH



DIMENSIONS

Model	Description	D"	W"	H"
58040PLT / _ _ _	Mobile Lectern, Right-hand	24	24	30-44
58041 PLT / _ _ _	Mobile Lectern, Left-hand	24	24	30-44



Model Show 58041 LH